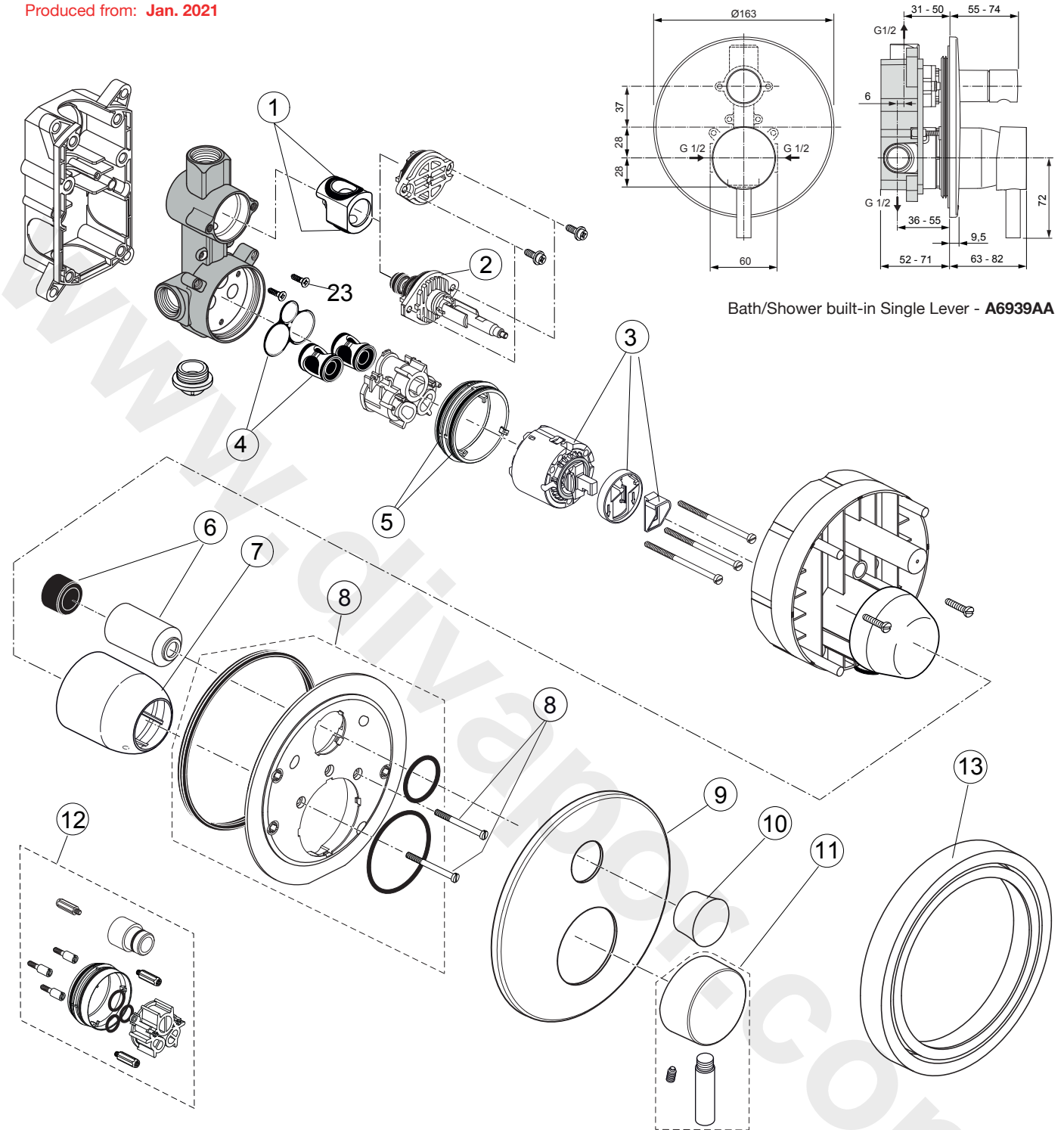


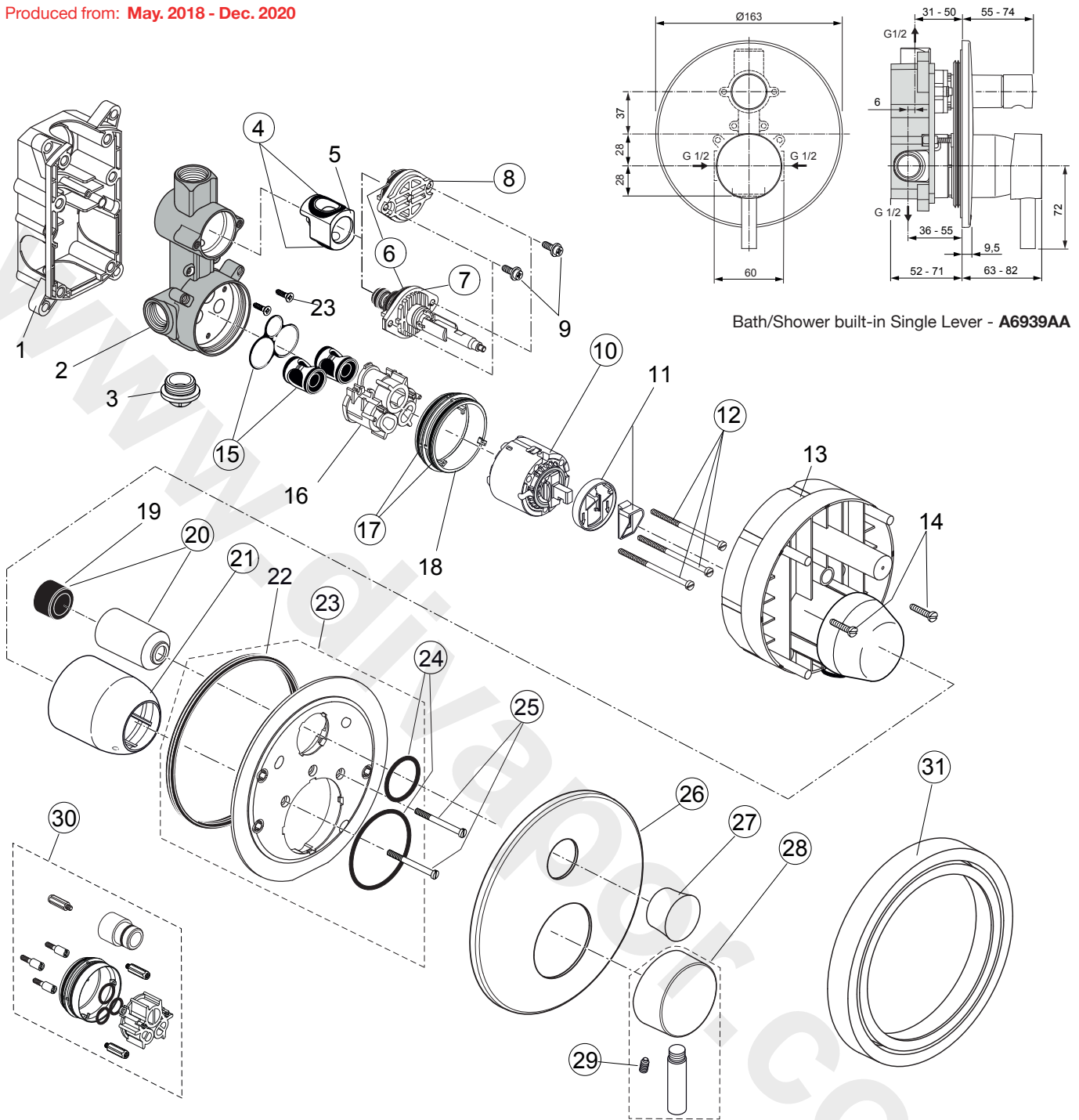
Produced from: Jan. 2021



Bath/Shower built-in Single Lever - A6939AA

Pos.	Description	Part-Number	Qty.	Pos.	Description	Part-Number	Qty.
1	O - ring set	<b>A 963 523 NU</b>	1 Set	9	Escutcheon (chrome)	<b>A 860 945 AA</b>	1 pcs
2	Diverter complete	<b>A 963 952 NU</b>	1 pcs		Escutcheon (matt black)	<b>A 860 945 U4</b>	1 pcs
3	Cartridge cpl.	<b>A 960 500 NU</b>	1 Set	10	Pull knob (chrome)	<b>A 860 944 AA</b>	1 pcs
4	Low noise insert complete	<b>A 963 954 NU</b>	1 Set		Pull knob (matt black)	<b>A 860 944 U4</b>	1 pcs
5	O - ring Ø 47,3 x 1,78	<b>A 963 526 NU</b>	2 pcs	11	Lever cpl. (chrome)	<b>A 962 397 AA</b>	1 Set
6	Cover f. diverter (chrome)	<b>A 860 902 AA</b>	1 Set		Lever cpl. (matt black)	<b>A 962 397 U4</b>	1 Set
	Cover f. diverter (matt black)	<b>A 860 902 XG</b>	1 Set	12	Extension kit 20mm B/SH	<b>A 6680 AA</b>	1 Set
7	Cap (chrome)	<b>A 963 571 AA</b>	1 pcs	13	Distanzframe 20mm (chrome)	<b>A 6677 AA</b>	1 Set
	Cap (matt black)	<b>A 963 571 XG</b>	1 pcs		Distanzframe 20mm (matt black)	<b>A 6677 XG</b>	1 Set
8	Escut. holder cpl.	<b>A 860 899 NU</b>	1 pcs				

Produced from: May. 2018 - Dec. 2020



Bath/Shower built-in Single Lever - A6939AA

Pos.	Description	Part-Number	Qty.	Pos.	Description	Part-Number	Qty.
1	Plastic box			17	O - ring Ø 47,3 x 1,78	<b>A 963 526 NU</b>	2 pcs
2	Body ( built-in version )			18	Plastic ring		
3	Plug G1/2			19	Adapter rubber		
4	O - ring set	<b>A 963 523 NU</b>	1 Set	20	Cover / Cap for diverter	<b>A 860 902 AA</b>	1 Set
5	Insert for diverter			21	Cap	<b>A 963 571 AA*</b>	1 pcs
6	O - ring Ø 28,3 x 1,78	<b>A 963 925 NU</b>	1 pcs	22	Seal ring ( Profil		
7	Diverter complete	<b>A 963 952 NU</b>	1 pcs	23	Escut. holder cpl. +pos25	<b>A 860 899 NU</b>	1 pcs
8	Cover complete + pos.9	<b>A 963 949 NU</b>	1 Set	24	O - ring set	<b>A 961 649 NU*</b>	1 Set
9	Screw M4 x 12			25	Cylindrical screw M4x39	<b>A 963 176 NU</b>	3 pcs
10	Cartridge with pos.11	<b>A 960 500 NU</b>	1 Set	26	Escutcheon	<b>A 860 945 AA</b>	1 pcs
11	Volume control			27	Pull knob	<b>A 860 944 AA</b>	1 pcs
12	Cylindrical screw M4x69	<b>A 963 783 NU</b>	3 pcs	28	Lever cpl. with Logo ISI	<b>A 962 397 AA</b>	1 Set
13	Plaster guard			29	Thread pin M5x10 DIN 915	<b>A 963 309 NU</b>	1 pcs
14	Cylindrical screw M4 x 14			30	Extension kit 20mm B/SH	<b>A 6680 AA</b>	1 Set
15	Low noise insert complete	<b>A 963 954 NU</b>	1 Set	31	Distanzframe 20mm	<b>A 6677 AA</b>	1 Set
16	Plastic insert						

\*Universal set (not all parts needed)