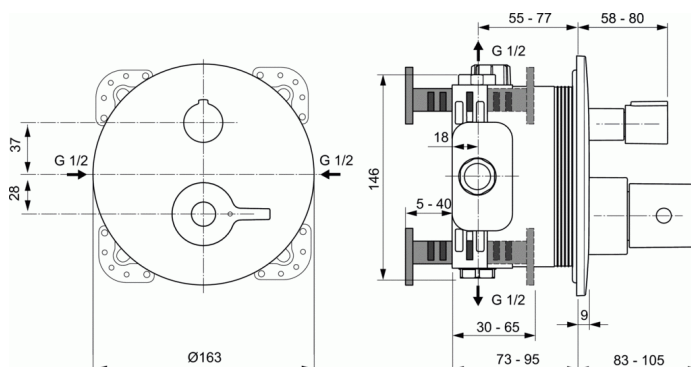


CERAPLUS 2

Built-in individual thermostatic bath & shower mixer



Built-in individual thermostatic bath & shower mixer

Thermostatic KIT2 version (visible part)

Thermostatic cartridge

2 way On/Off ceramic disc valve 90° with integrated Bath & Shower diverter

Metal handle with hot water stop button pre-fixed at 40°C

Metal escutcheon

Backflow preventer

Suitable for thermal disinfection

To be used only in combination with: A1000NU KIT1 (internal part)

Comply with EN1111

FINISHES*



AA

* AA = Chrome

KEY FEATURES & BENEFITS

