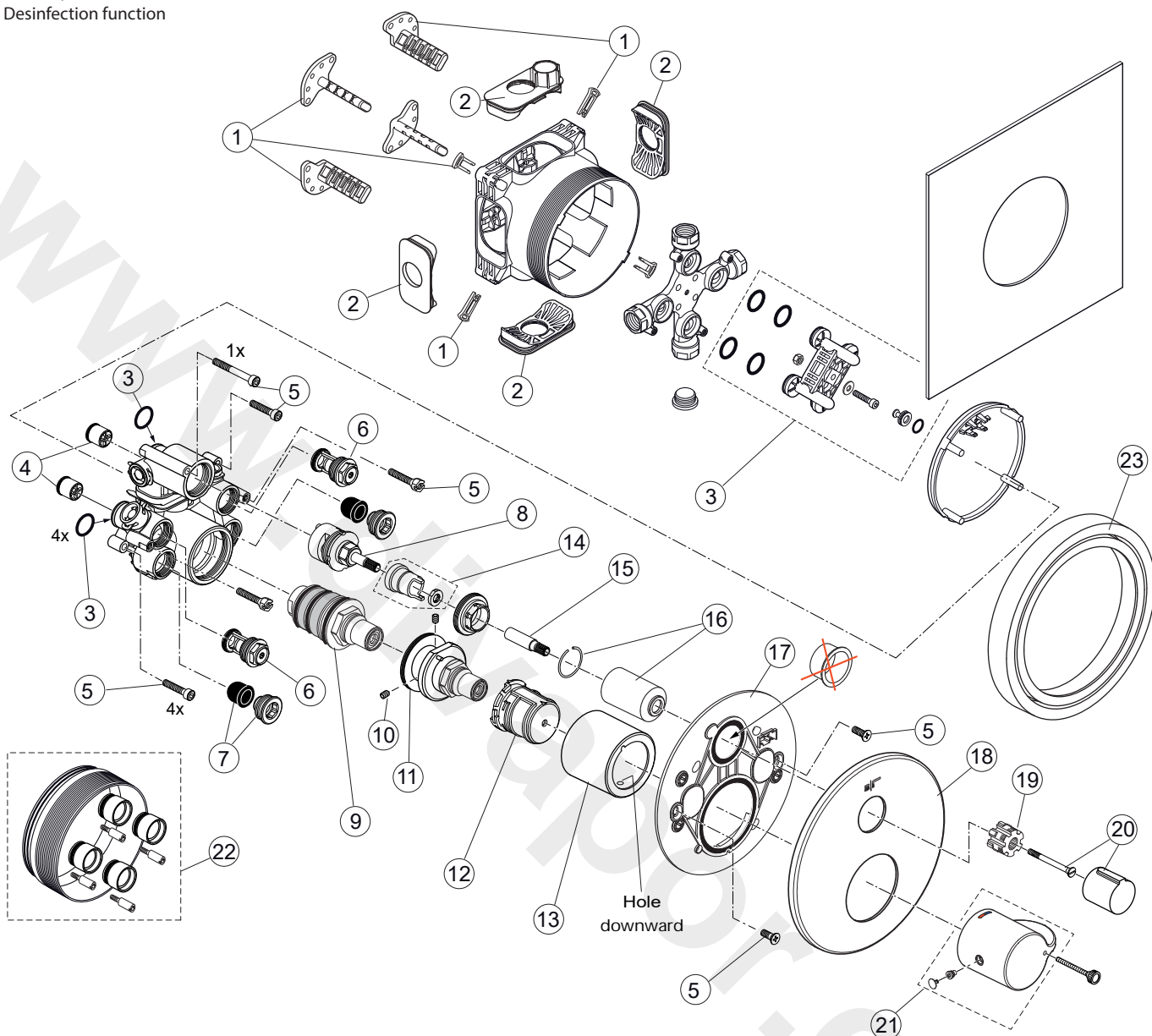


Produced from: April 2021

Pre-installation Kit 1 - Easy Box A1000NU

Thermostat with diverter, and Desinfection function



## Body and Designparts Kit 2 - A6869AA

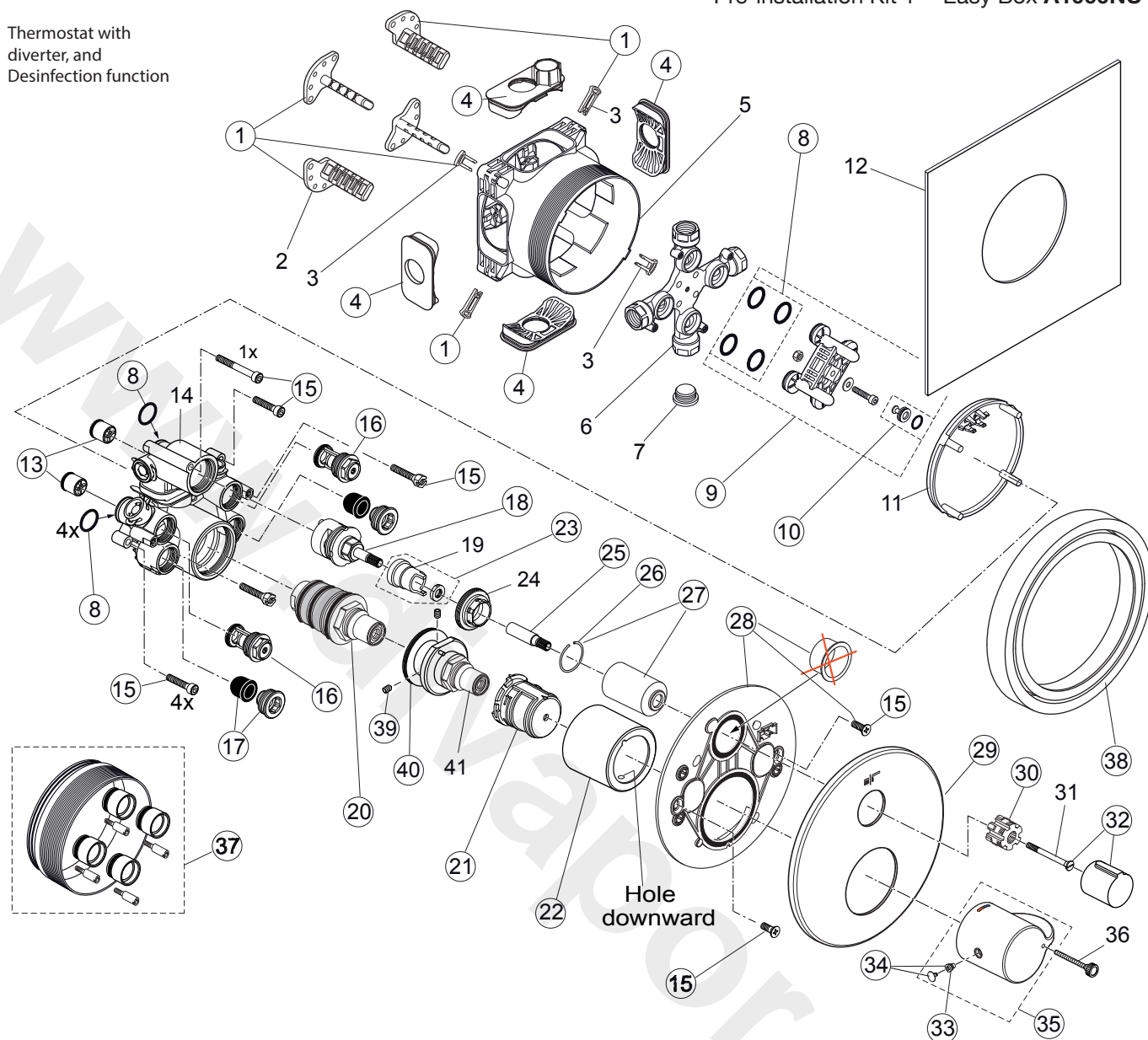
Pos.	Description	Part-Number	Qty.	Pos.	Description	Part-Number	Qty.
1	Installation depth adjust.	<b>A 963 131 NU</b>	1 Set	15	Extension / handle adapt.	<b>A 960 899 NU</b>	1 pcs
2	Side sealing	<b>A 963 132 NU</b>	1 Set	16	Cover / Cap for Volume	<b>A 962 384 AA</b>	1 pcs
3	Flushing device cpl.	<b>A 963 146 NU</b>	1 Set	17	Escutcheon holder cpl.	<b>A 860 897 NU</b>	1 Set
4	Non-return valve DW15	<b>A 962 594 NU</b>	2 pcs	18	Escutcheon B/S plane	<b>A 861 208 AA</b>	1 pcs
5	Screw set complete	<b>A 960 890 NU</b>	1 Set	19	Handle adapter	<b>A 961 659 NU</b>	1 pcs
6	Stop valve	<b>A 960 706 NU</b>	2 pcs	20	Volume control handle	<b>A 962 388 AA</b>	1 pcs
7	Low noise insert	<b>A 960 891 NU</b>	1 pcs	21	Handle for Temp. cpl.	<b>A 861 195 AA</b>	1 Set
8	Stop valve + diverter	<b>A 962 480 NU</b>	1 pcs	22	Extension kit 20mm	<b>A 960 704 NU</b>	1 Set
9	Cartridge thermostat G3/4	<b>A 963 564 NU</b>	1 Set		Extension kit 40mm	<b>A 962 476 NU</b>	1 Set
10	Thread pin M5x8 DIN913	<b>A 960 229 NU</b>	1 pcs	23	Distanzframe 20mm	<b>A 6677 AA</b>	1 Set
11	O-ring Ø 45 x 2	<b>A 961 743 NU</b>	1 Set				
12	Temp. adjustment cpl.	<b>A 961 889 NU</b>	1 Set				
13	Cover Temp. w/o print	<b>A 962 391 AA</b>	1 pcs				
14	Clamp cover with washer	<b>A 962 481 NU</b>	1 Set				

\*Universal set (not all parts needed)

Produced from: **March 2017 - March 2021**

Pre-installation Kit 1 - Easy Box A1000NU

Thermostat with diverter, and Desinfection function



## Body and Designparts Kit 2 - A6869AA

Pos.	Description	Part-Number	Qty.	Pos.	Description	Part-Number	Qty.
1	Install. depth adjust. + pos.3	<b>A 963 131 NU</b>	1 Set	23	Clamp cover with washer	<b>A 962 481 NU</b>	1 Set
2	Depth adjustment device			24	Clamping nut M36 x 1		
3	Adjustment lock ( contained in pos. 1 )			25	Extension / handle adapt.	<b>A 960 899 NU</b>	1 pcs
4	Side sealing	<b>A 963 132 NU</b>	1 Set	26	Snap ring	<b>A 962 368 NU</b>	1 pcs
5	Built-in box			27	Cover / Cap for Diverter	<b>A 860 906 AA</b>	1 Set
6	Multi-way body			28	Escutcheon holder cpl.	<b>A 860 897 NU</b>	1 Set
7	Plug G1/2			29	Escutcheon B/S plane	<b>A 861 208 AA</b>	1 pcs
8	O-ring Ø 17 x 2,5	<b>A 963 143 NU</b>	1 Set	30	Handle adapter	<b>A 961 659 NU</b>	1 pcs
9	Flushing device cpl.	<b>A 963 146 NU</b>	1 Set	31	Screw for handle fixation		
10	Plug with o-ring Ø 12x1,5	<b>A 963 147 NU</b>	1 pcs	32	Volume control handle	<b>A 962 388 AA</b>	1 pcs
11	Cover for built-in box			33	Spigot screw M5x5	<b>A 961 095 NU</b>	1 pcs
12	Sealing fleece			34	Cap + Screw	<b>A 962 149 AA</b>	1 Set
13	Non-return valve DW15	<b>A 962 594 NU</b>	2 pcs	35	Handle for Temp. cpl.	<b>A 861 195 AA</b>	1 Set
14	Body Thermostat			36	Knurled head screw M3x30 (contained in Pos.35)		
15	Screw set complete	<b>A 960 890 NU*</b>	1 Set	37	Extension kit 20mm	<b>A 960 704 NU</b>	1 Set
16	Stop valve	<b>A 860 904 NU</b>	2 pcs		Extension kit 40mm	<b>A 962 476 NU</b>	1 Set
17	Low noise insert	<b>A 960 891 NU</b>	1 pcs	38	Distanzframe 20mm	<b>A 6677 AA</b>	1 Set
18	Stop valve + diverter	<b>A 962 480 NU</b>	1 pcs	39	Thread pin M5x8 DIN914	<b>B 964 695 NU</b>	1 pcs
19	Clamp cover			40	O-ring Ø 45 x 2	<b>A 961 743 NU</b>	1 Set
20	Cartridge thermostat G3/4	<b>A 963 564 NU</b>	1 Set	41	Extension with stop		
21	Temp. adjustment cpl.	<b>A 961 889 NU</b>	1 Set				
22	Cover / Cap for Temp.	<b>A 962 391 AA</b>	1 pcs				

\*Universal set (not all parts needed)