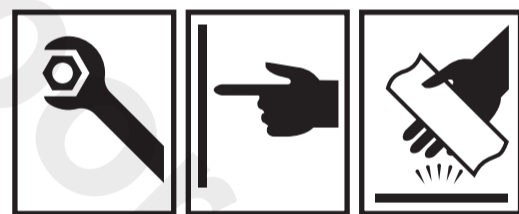
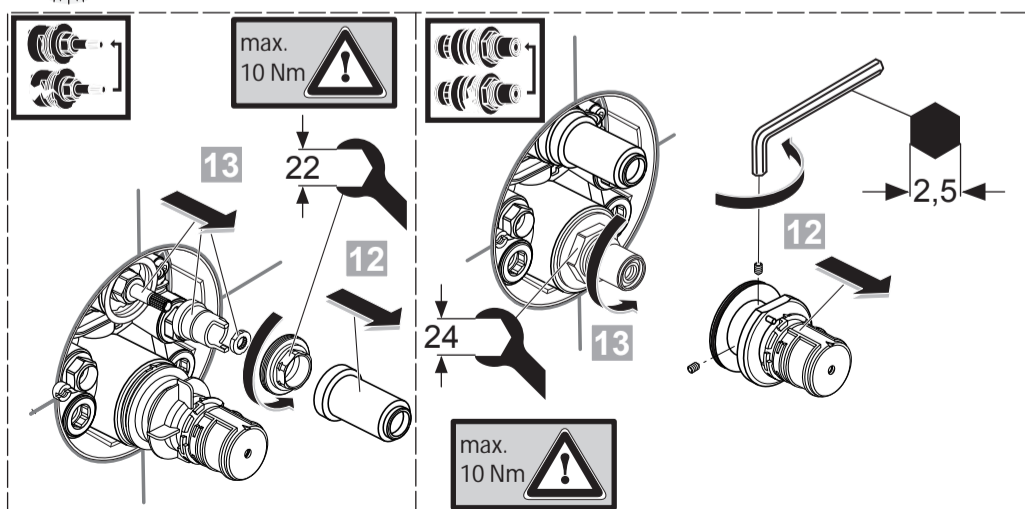
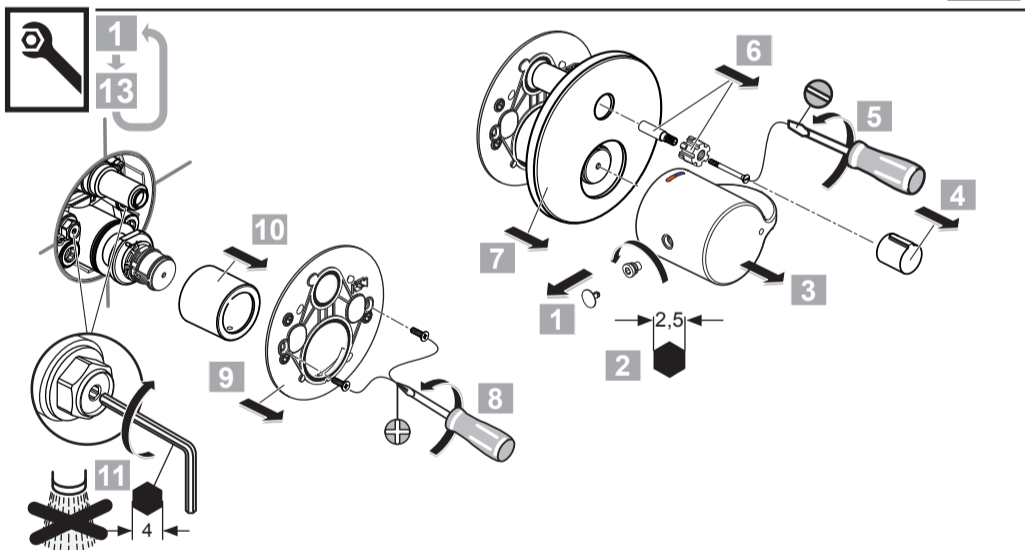
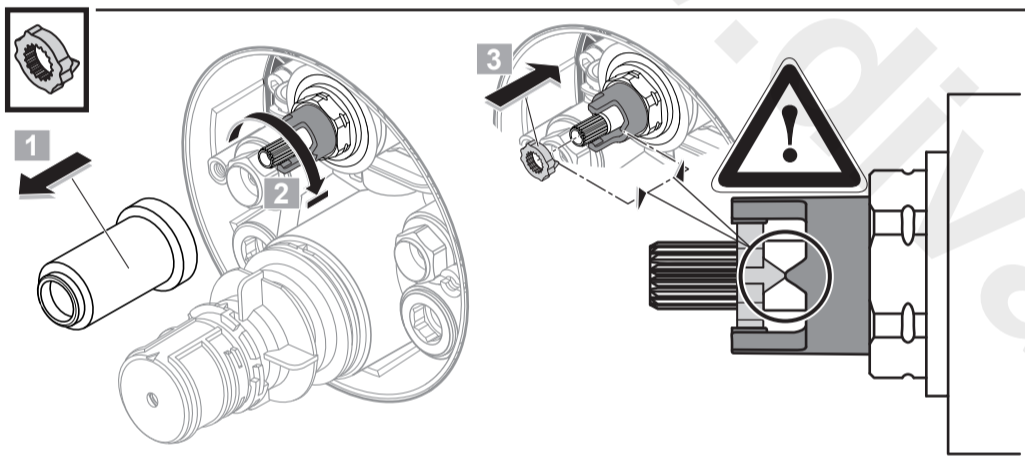
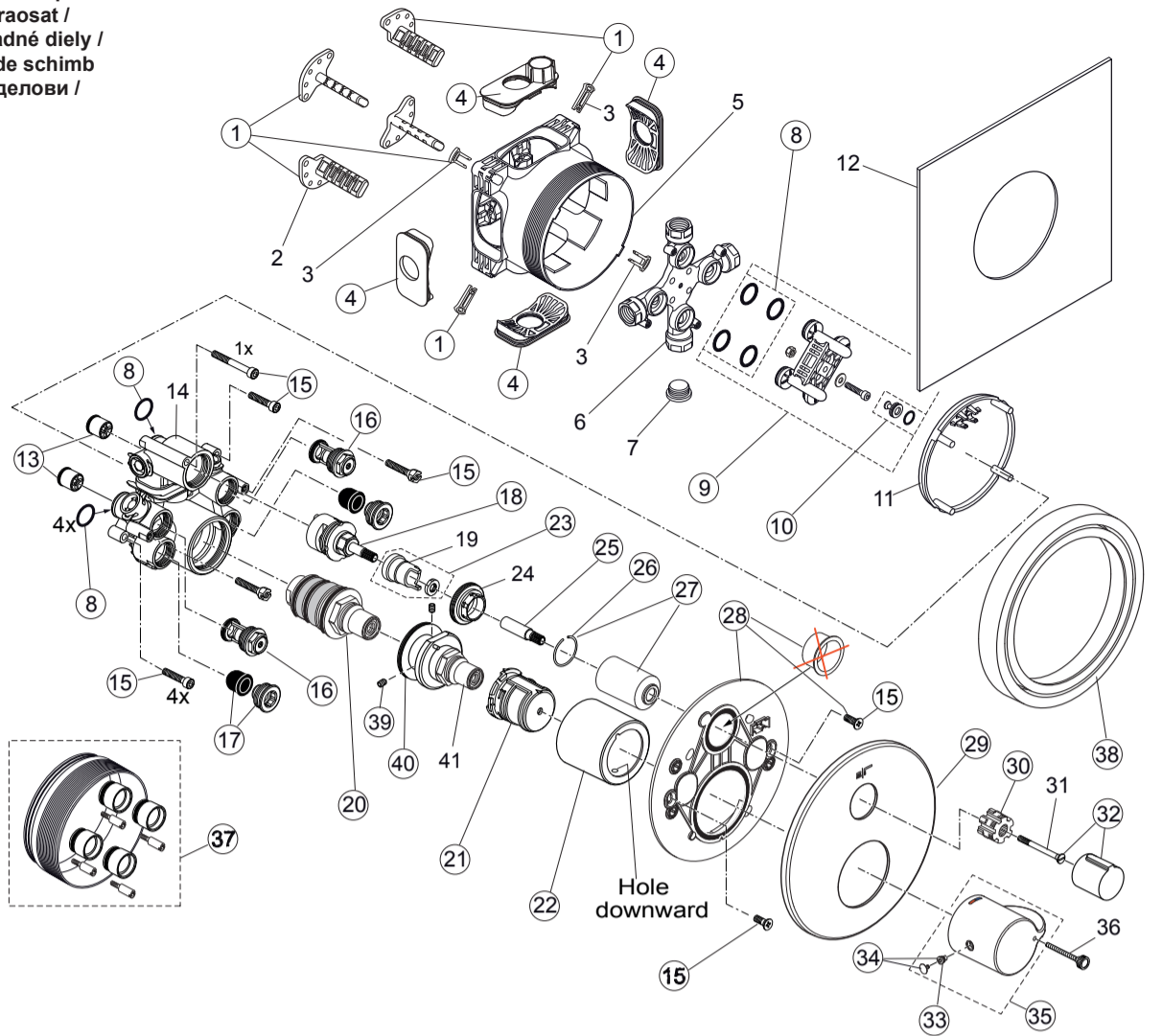




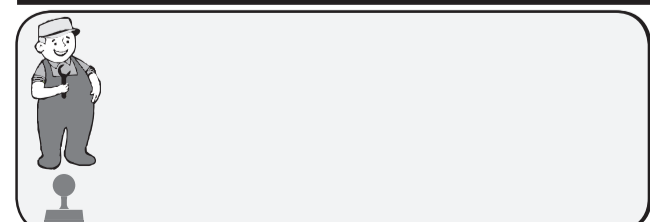
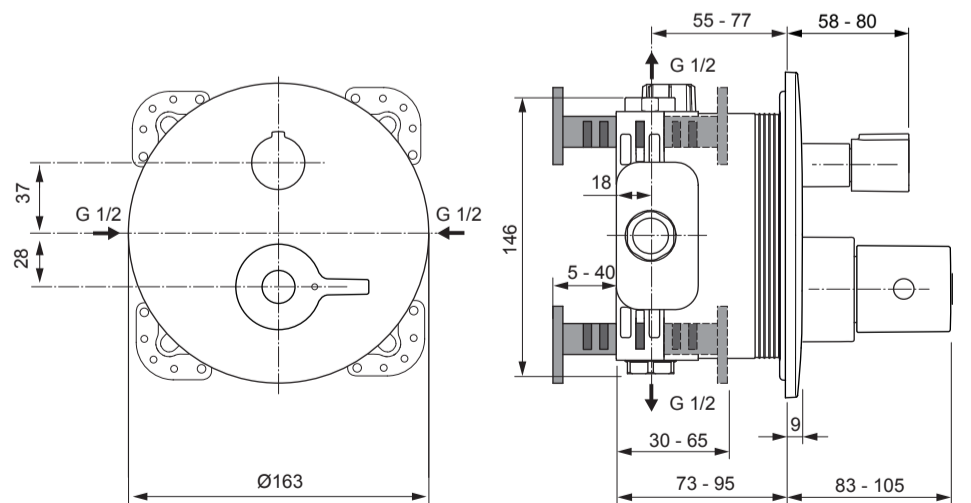
Spare Parts / Ersatzteile / Pièces de recharge / Pezzi di Ricambio / Piezas de requesto /
 Parte de reposição / Reserveonderdelen / Reservdelar / Reservedeler / Varaosat /
 Vraosat / Varahlutir / Ανταλλακτικά / Yedek Parçalar / Náhradní díly / Náhradné diely /
 Nadomestni deli / Резервни части / Запчасти / Części Zapasowe / Piese de schimb
 / Rendelhető alkatrészek / Запасні частини / Reservni delovi / Резервни делови /
 Резервни делови / Atsarginių dalių / Tellitavad varuosad / Rezervju daļi

| | | | | | |
|----|---------------|-------|----|--------------|-------|
| 1 | A 963 131 NU | 1 Set | 30 | A 961 659 NU | 1 pcs |
| 4 | A 963 132 NU | 1 Set | 32 | A 962 388 AA | 1 pcs |
| 8 | A 963 143 NU | 1 Set | 33 | A 961 095 NU | 1 pcs |
| 9 | A 963 146 NU | 1 Set | 34 | A 962 149 AA | 1 Set |
| 10 | A 963 147 NU | 1 pcs | 35 | A 861 195 AA | 1 Set |
| 13 | A 962 594 NU | 2 pcs | 37 | A 960 704 NU | 1 Set |
| 15 | A 960 890 NU* | 1 Set | | A 962 476 NU | 1 Set |
| 16 | A 860 904 NU | 2 pcs | 38 | A 6677 AA | 1 Set |
| 17 | A 960 891 NU | 1 pcs | 39 | B 964 695 NU | 1 pcs |
| 18 | A 962 480 NU | 1 pcs | 40 | A 961 743 NU | 1 Set |
| 20 | A 963 564 NU | 1 Set | | | |
| 21 | A 961 889 NU | 1 Set | | | |
| 22 | A 962 391 AA | 1 pcs | | | |
| 23 | A 962 481 NU | 1 Set | | | |
| 25 | A 960 899 NU | 1 pcs | | | |
| 26 | A 962 368 NU | 1 pcs | | | |
| 27 | A 860 906 AA | 1 Set | | | |
| 28 | A 860 897 NU | 1 Set | | | |
| 29 | A 861 208 AA | 1 pcs | | | |



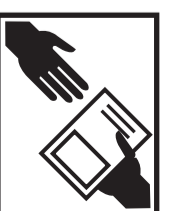
CERAPLUS 2
 A 6869 ..

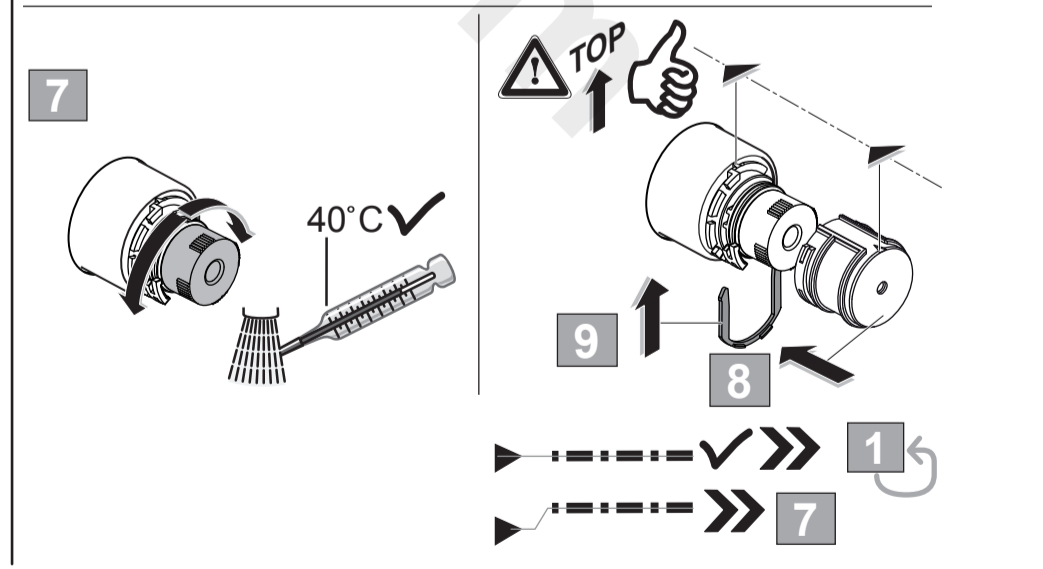
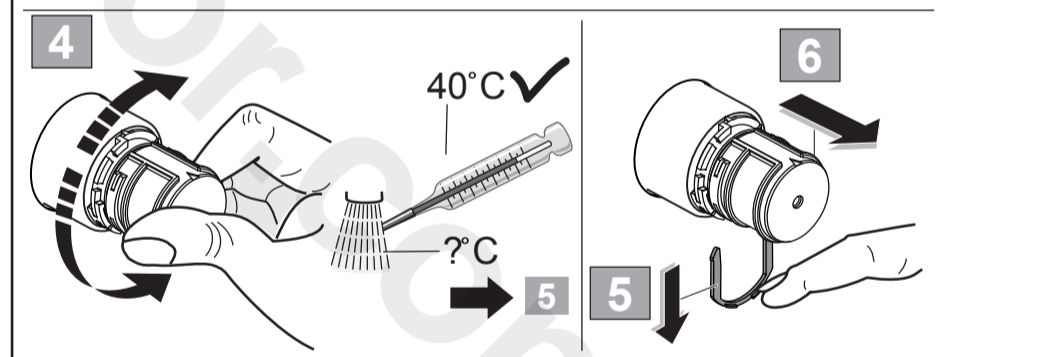
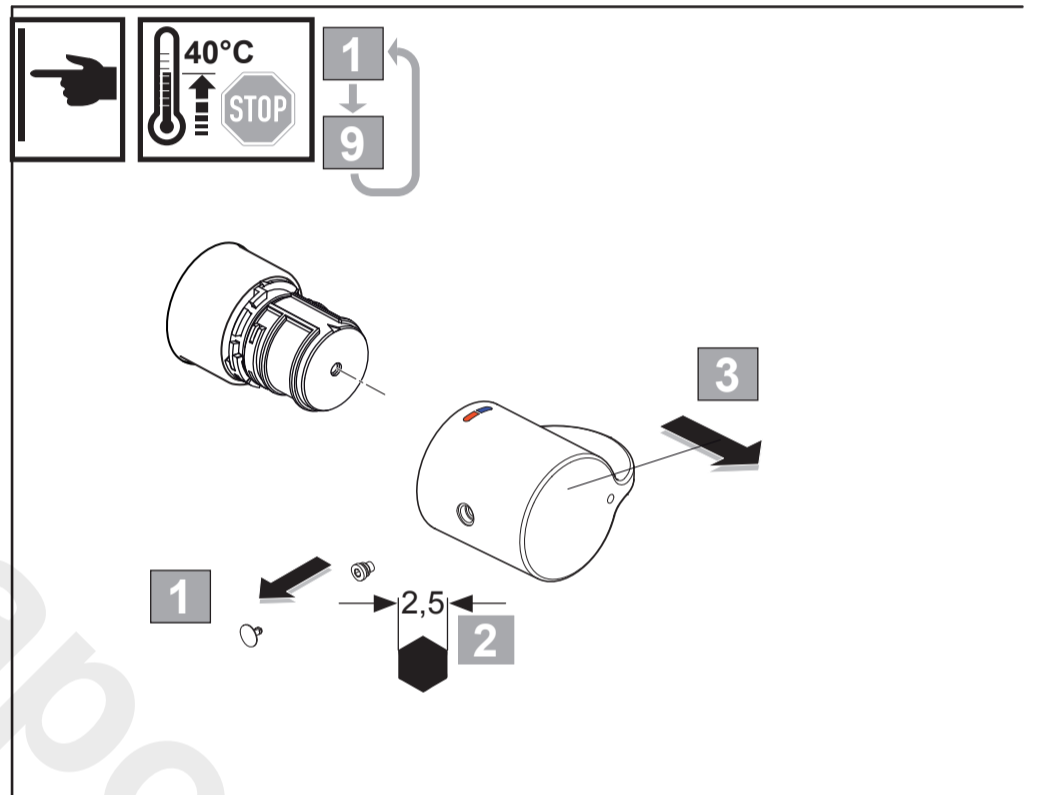
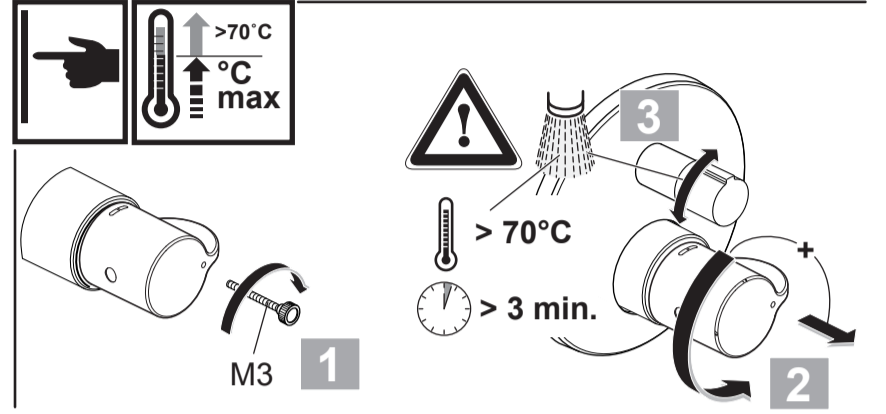
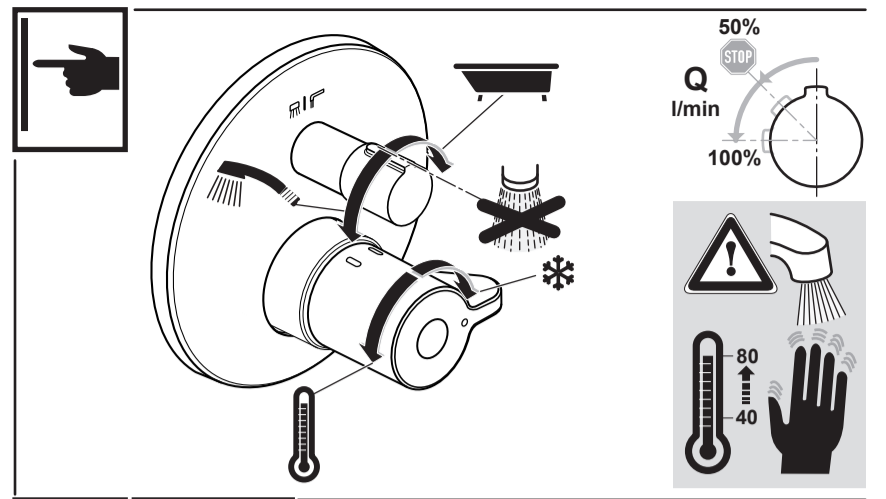
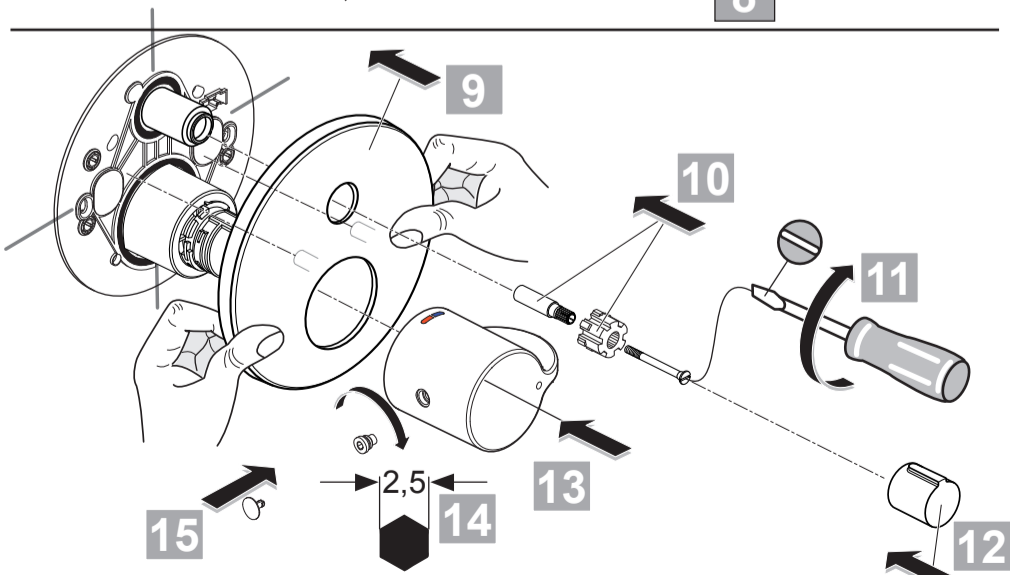
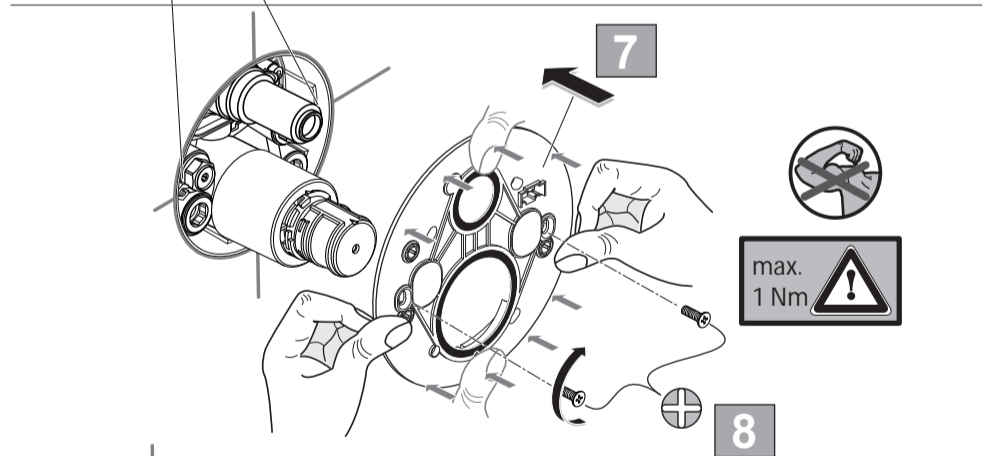
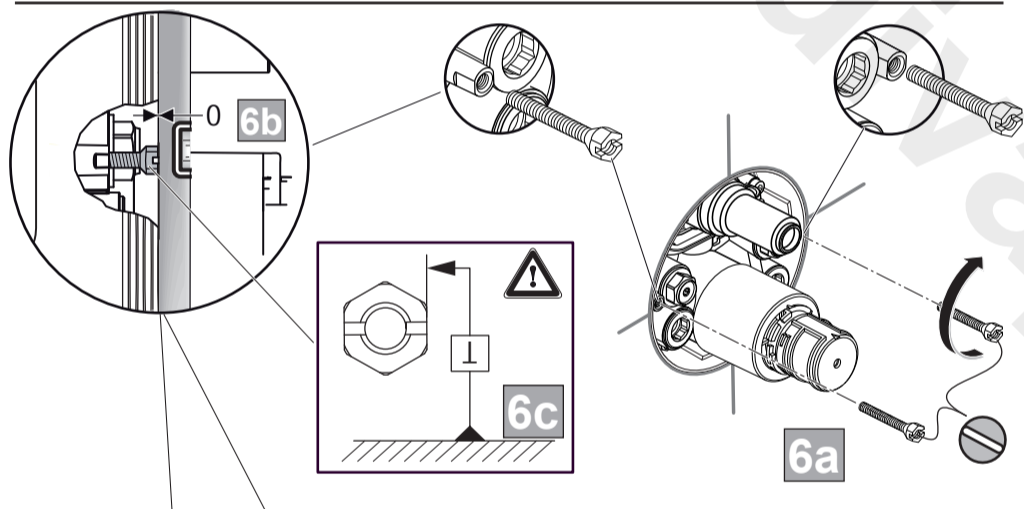
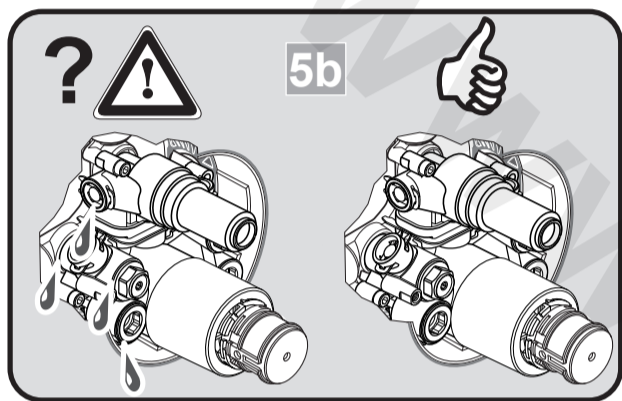
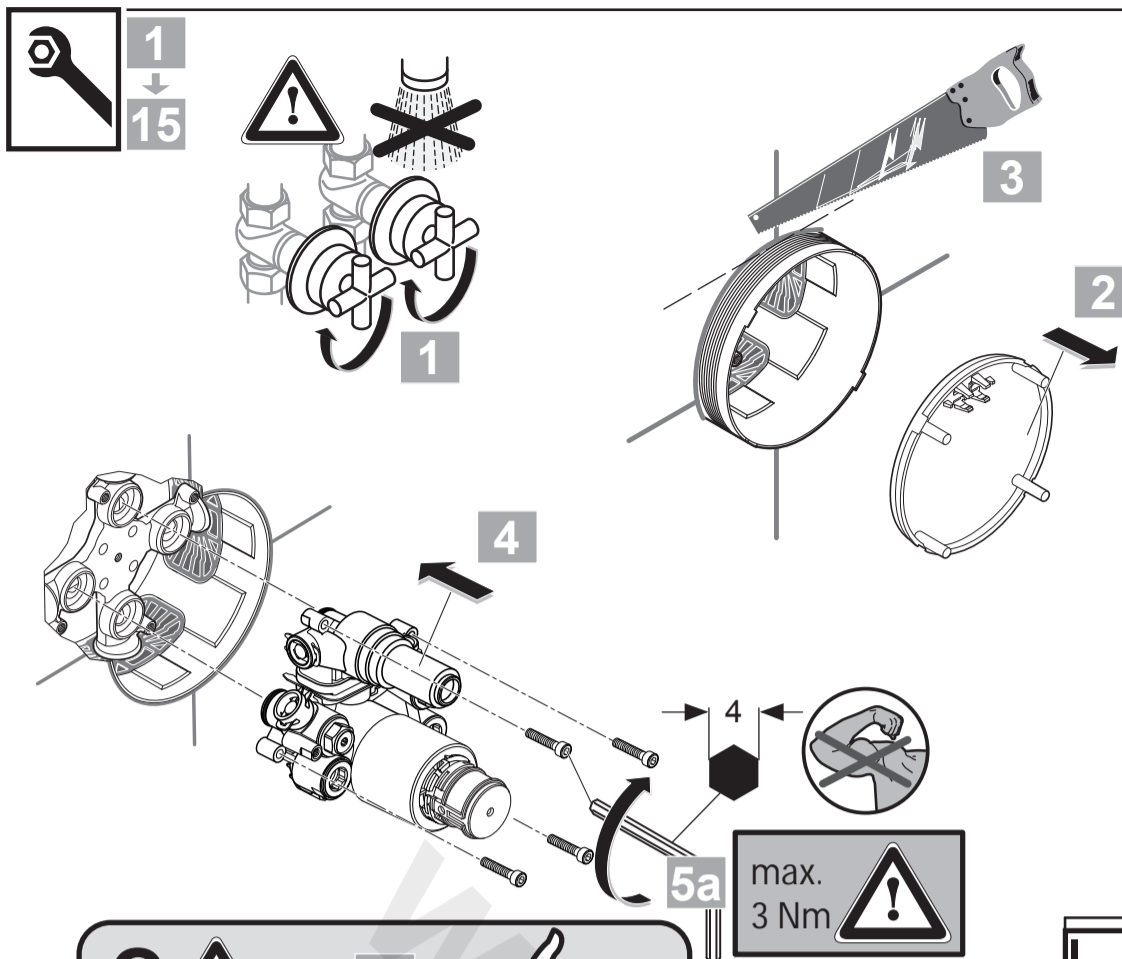
0317 / A 868 335
 (+ A 865 612)
 Made in Germany



Ideal Standard International NV
 Corporate Village - Gent Building
 Da Vincilaan 2
 1935 Zaventem
 Belgium

www.idealstandardinternational.com





| | | | | | | | | | |
|--|---|-----|--|---------|--|----|--|--|-----------|
| | P | bar | | MAX. 10 | | 5 | | | Q (3 bar) |
| | T | °C | | MAX. 80 | | 65 | | | l/min |
| | | | | | | 55 | | | 30 |