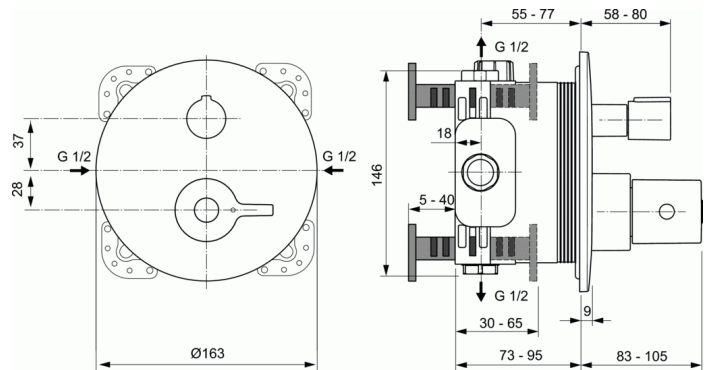
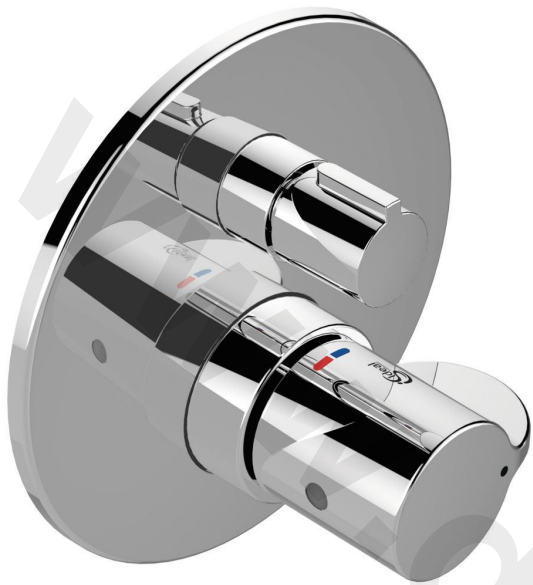


## CERAPLUS 2

### Built-in individual thermostatic shower mixer



#### Built-in individual thermostatic shower mixer

Thermostatic KIT2 version (visible part)

Thermostatic cartridge

2 way On/Off ceramic disc valve 90°

Metal handle with hot water stop button pre-fixed at 40°C

Metal escutcheon

Backflow preventer

Suitable for thermal disinfection

To be used only in combination with: A1000NU KIT1 (internal part)

Comply with EN1111

#### FINISHES\*



AA

\* AA = Chrome

#### KEY FEATURES & BENEFITS

