

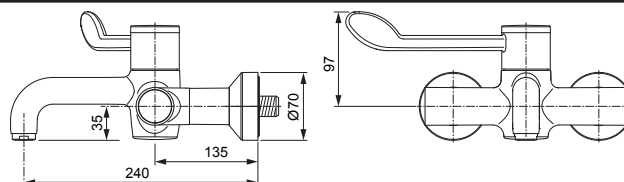


Ceraplus 2

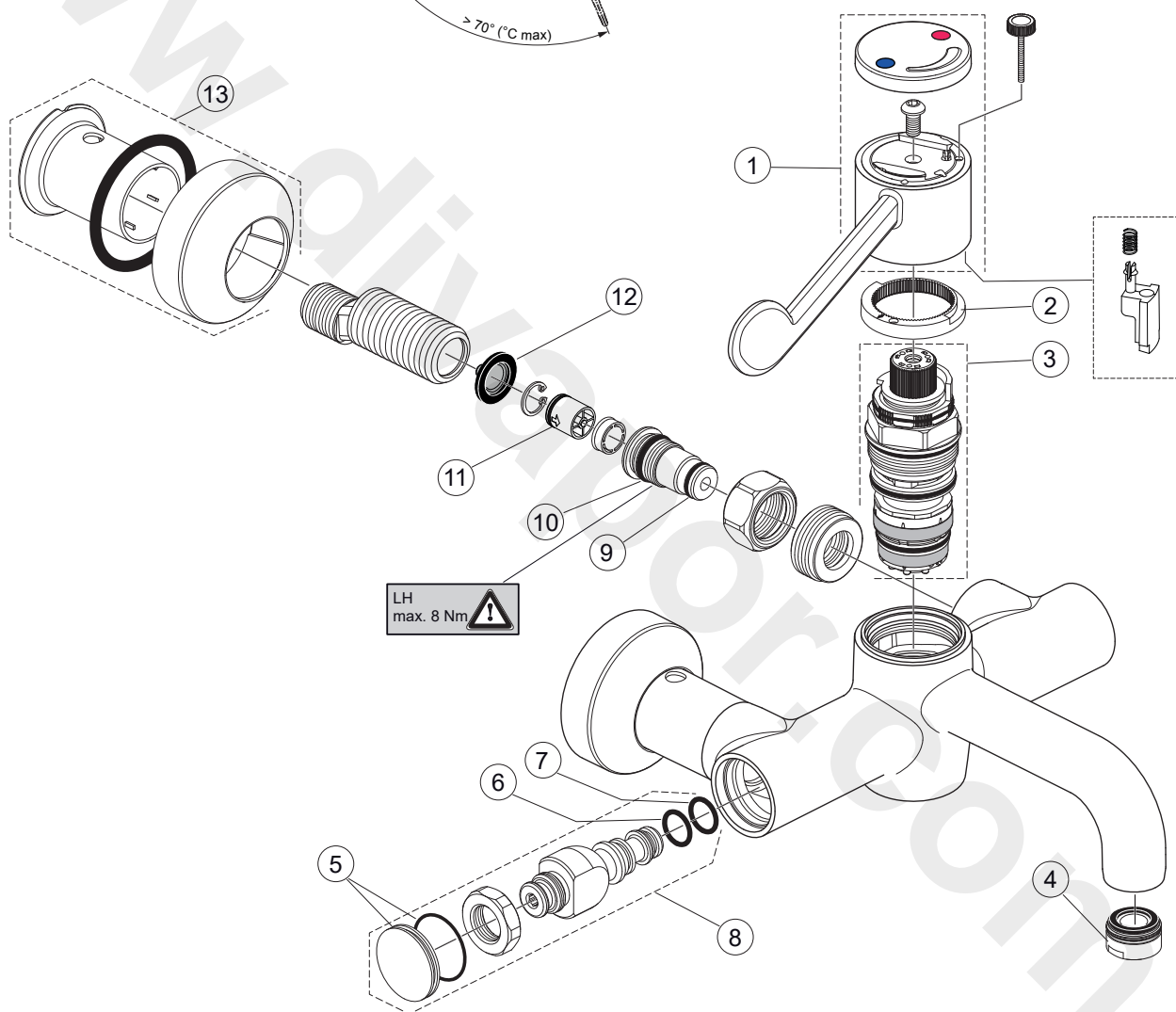
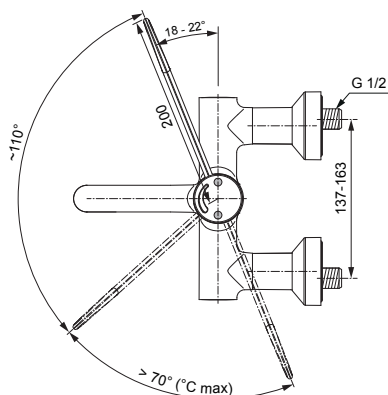
A6690 ..

Ideal Standard

Produced from: April 2021



Thermostat with function desinfection
chrome **A6690AA**

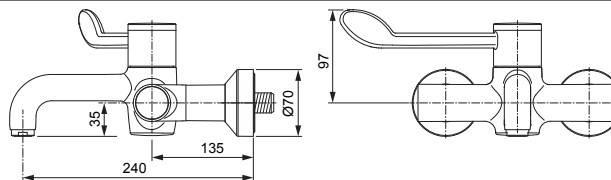


Pos.	Description	Part-Number	Qty.	Pos.	Description	Part-Number	Qty.
1	Handle cpl. w. Ring Logo	A 861 121 AA	1 Set	11	Non-return valve	F 960 942 NU	1 pcs
2	Stopring	A 861 122 NU	1 pcs	12	Strainer (screen)	A 962 595 NU	2 pcs
3	Sequential therm. cartridge	A 861 123 NU	1 pcs	13	Escutcheon cpl.	B 960 575 AA	2 Set
4	Aerator M24x1	A 961 625 AA	1 pcs				
5	Cap w. o - ring Ø 30 x 2	A 861 124 AA	1 Set				
6	O - ring Ø 13 x 2	A 861 101 NU	2 pcs				
7	O - ring Ø 11 x 2	A 960 942 NU	2 pcs				
8	Side sleeve cpl.	A 861 125 AA	1 Set				
9	O - Ring Ø 12,42 x 1,78	A 961 332 NU	2 pcs				
10	O - ring Ø 17 x 2	A 961 810 NU	2 pcs				

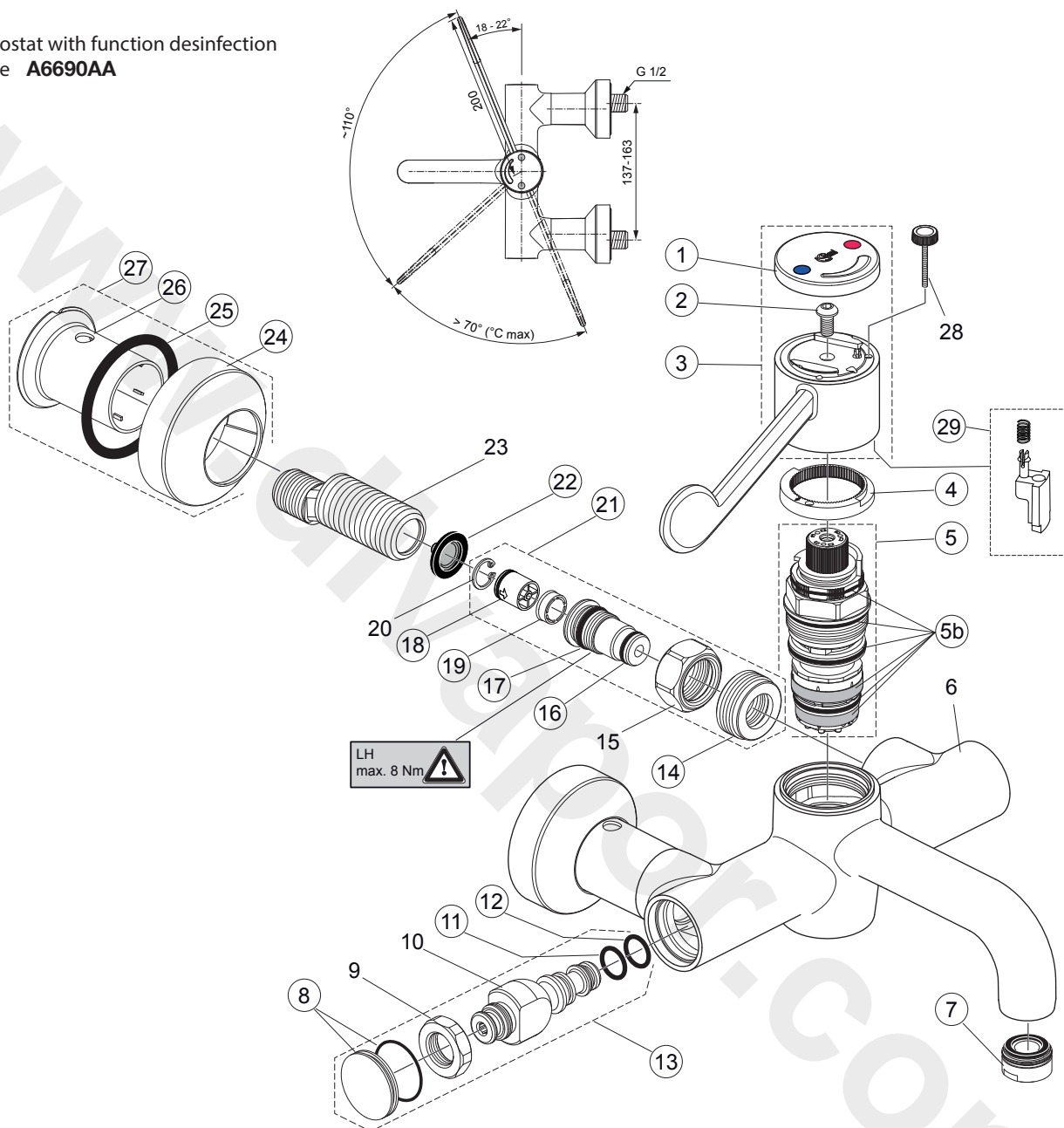
Ceraplus

Ceraplus 2

Produced from: **July 2016 - March 2021**



Thermostat with function desinfection
chrome **A6690AA**



Pos.	Description	Part-Number	Qty.	Pos.	Description	Part-Number	Qty.
1	Cap for handle w. Logo ISI	A 861 120 AA	1 pcs	15	Coupling nut G3/4 - SW30		
2	Screw M6 x 12	A 961 950 NU	1 pcs	16	O - Ring Ø 12,42 x 1,78	A 961 332 NU	2 pcs
3	Handle cpl. w. Logo ISI	A 861 121 AA	1 Set	17	O - ring Ø 17 x 2	A 961 810 NU	2 pcs
4	Stopring	A 861 122 NU	1 pcs	18	Non-return valve	F 960 942 NU	1 pcs
5	Sequential therm. cartridge	A 861 123 NU	1 pcs	19	Flow regulator 5,0 l/min	A 861 127 NU	1 pcs
5b	Repair-Set Cartridge	A 861 166 NU	1 Set	20	Lock ring		
6	Body			21	Seat M20 x 1 left thread cpl.	A 861 128 NU	1 Set
7	Aerator M24x1	A 961 625 AA	1 pcs	22	Strainer (screen)	A 962 595 NU	2 pcs
8	Cap w. o - ring Ø 30 x 2	A 861 124 AA	1 Set	23	S-connector		
9	Threaded nut M18x1,5			24	Escutcheon	A 960 599 AA	1 pcs
10	Sleeve			25	O-ring Ø 53,5 x 5	A 963 840 NU	1 pcs
11	O - ring Ø 13 x 2	A 861 101 NU	2 pcs	26	Escutcheon inside	A 961 927 AA	1 pcs
12	O - ring Ø 11 x 2	A 960 942 NU	2 pcs	27	Escutcheon cpl.	B 960 575 AA	2 Set
13	Side sleeve cpl.	A 861 125 AA	1 Set	28	Knurled head screw M3x30 (included in pos.3)		
14	Inlet insulator	A 861 126 NU	1 pcs	29	Disinfection interlock cpl.	A 861 276 NU	1 Set