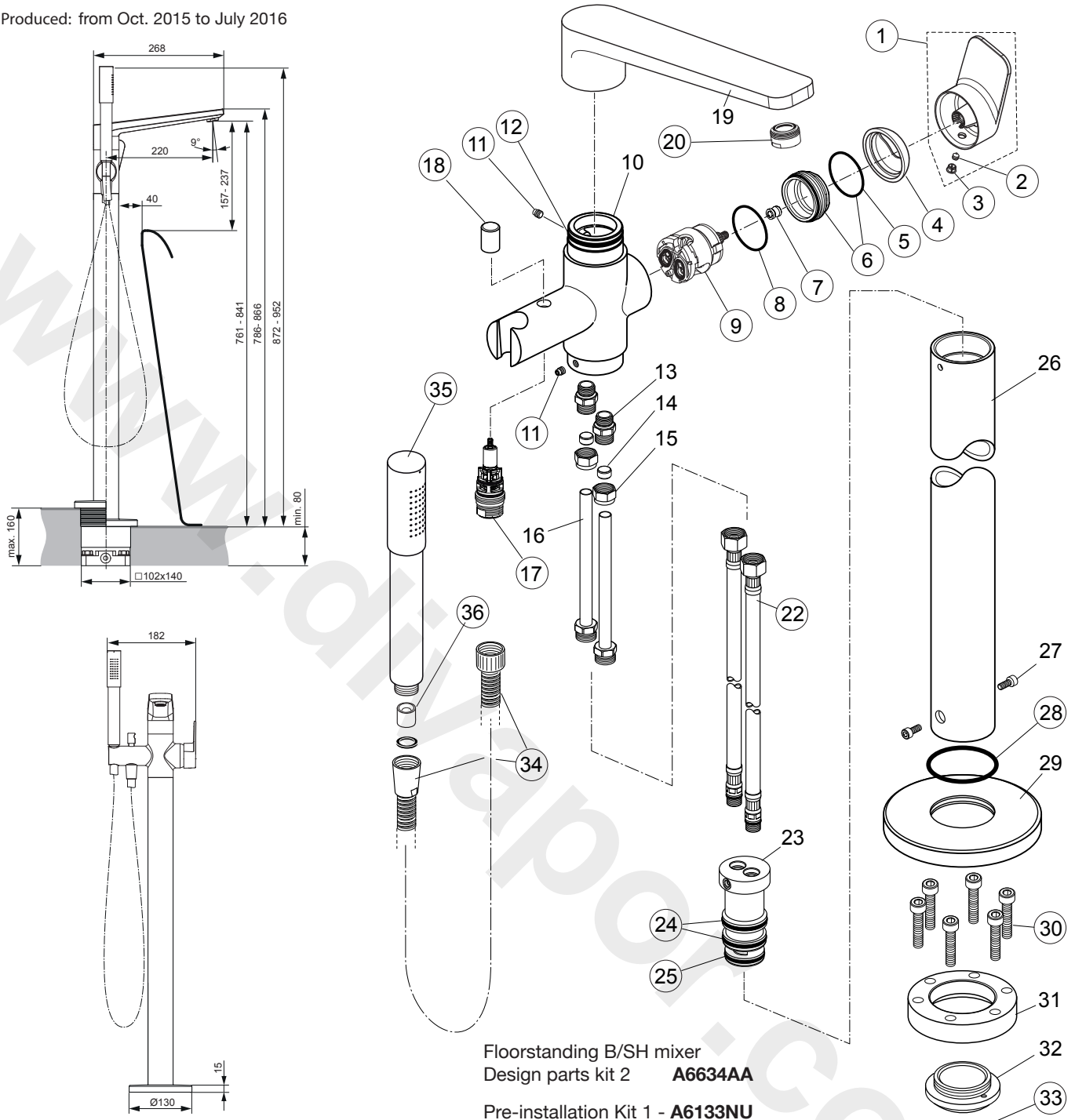


Produced: from Oct. 2015 to July 2016



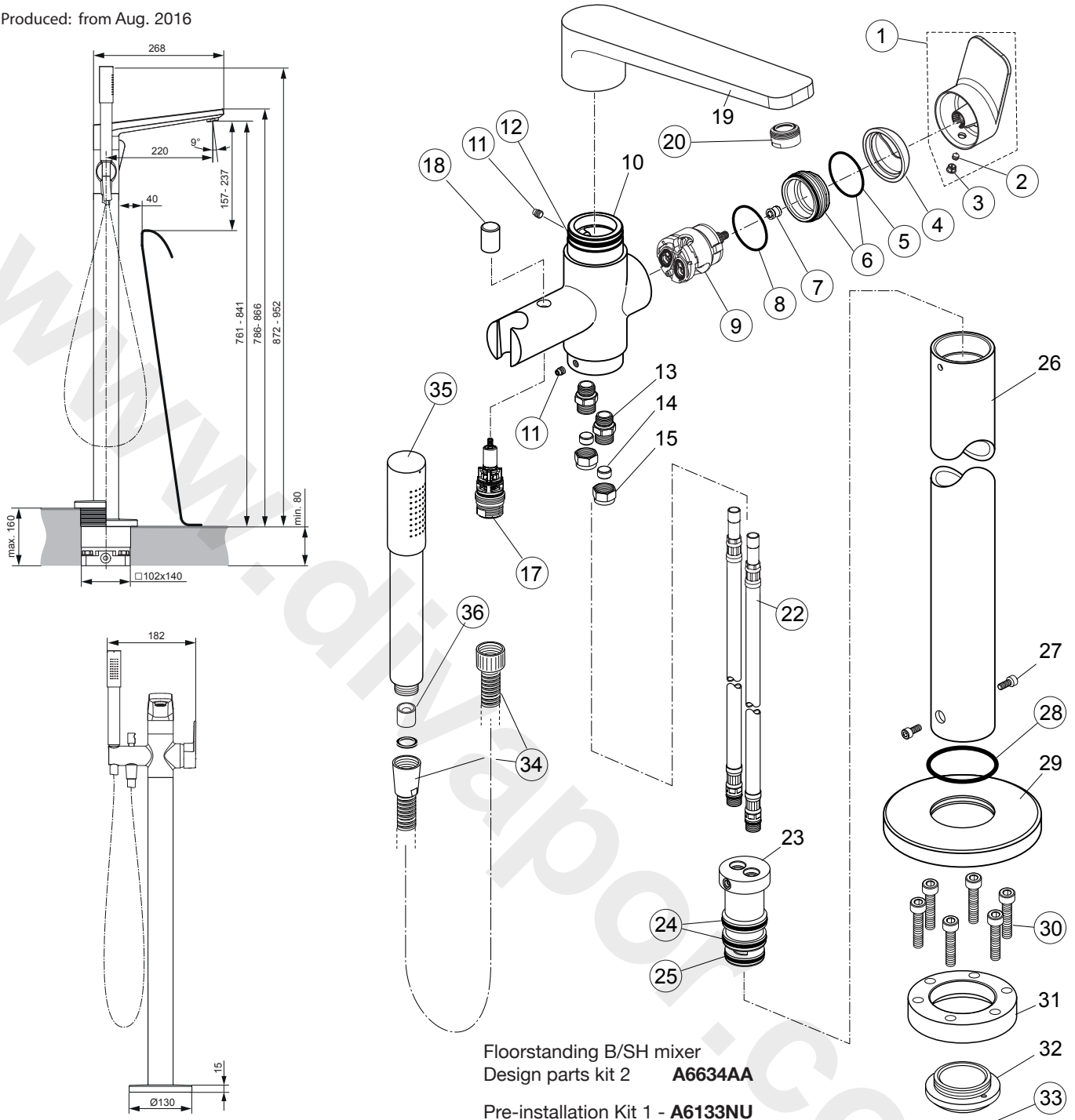
Floorstanding B/SH mixer  
Design parts kit 2 **A6634AA**

Pre-installation Kit 1 - **A6133NU**

Pos.	Description	Part-Number	Qty.	Pos.	Description	Part-Number	Qty.
1	Lever complete	<b>A 861 036 AA</b>	1 Set	19	Spout		
2	Thread pin M5x6 DIN914	<b>A 860 603 NU</b>	1 pcs	20	Aerator M24x1	<b>A 963 181 NU</b>	1 pcs
3	Cap for handle	<b>A 960 396 AA</b>	1 pcs	22	Flex. hose M12xG3/8	<b>F 960 986 NU</b>	1 pcs
4	Cartridge cover (Cap)	<b>A 961 485 AA</b>	1 pcs	23	Manifold		
5	O - ring Ø 28,3 x 1,78	<b>A 961 667 NU</b>	2 pcs	24	O - ring Ø 29,82 x 2,62	<b>N 960 006 NU</b>	5 pcs
6	Clamping nut M43 x1,5	<b>N 960 019 AA</b>	1 pcs	25	O - ring Ø 28,3 x 1,78	<b>A 961 667 NU</b>	2 pcs
7	Nut for handle adaption	<b>A 963 372 NU</b>	1 pcs	26	Pipe freestanding		
8	O - ring Ø 35 x 3,2	<b>A 962 715 NU</b>	1 pcs	27	Cylindrical screw M5x12 DIN912 Inox A2		
9	Cartridge + pos.8	<b>A 860 621 NU</b>	1 Set	28	O - ring Ø 53,57 x 3,53	<b>A 962 530 NU*</b>	1 Set
10	Body			29	Escutcheon Ø 130mm		
11	Thread pin M6x8	<b>F 960 985 NU</b>	2 pcs	30	Cylindrical screw M8x35	<b>A 960 242 NU</b>	1 pcs
12	O - ring Ø 39,94 x 2,62	<b>A 960 331 NU*</b>	1 Set	31	Screw flange		
13	Nipple for cutting ring			32	Screw ring		
14	Compression ring Ø10 inside			33	Thread pin M5x6 DIN914	<b>A 962 041 NU*</b>	1 pcs
15	Compression nut M15x1			34	Flex. hose G1/2 - 125cm	<b>A 3306 AA</b>	1 pcs
16	Connecting tube			35	Hand spray	<b>F 960 900 AA</b>	1 pcs
17	Diverter complete	<b>B 960 167 AA</b>	1 Set	36	Flow regulator - 8l/min	<b>B 961 093 NU</b>	1 pcs
18	Pull knob	<b>B 960 486 AA</b>	1 pcs				

\*Universal set (not all parts needed)

Produced: from Aug. 2016



Floorstanding B/SH mixer  
Design parts kit 2 **A6634AA**

Pre-installation Kit 1 - **A6133NU**

Pos.	Description	Part-Number	Qty.	Pos.	Description	Part-Number	Qty.
1	Lever complete	<b>A 861 036 AA</b>	1 Set	19	Spout		
2	Thread pin M5x6 DIN914	<b>A 860 603 NU</b>	1 pcs	20	Aerator M24x1	<b>A 963 181 NU</b>	1 pcs
3	Cap for handle	<b>A 960 396 AA</b>	1 pcs	22	Flex. hose M12xG3/8	<b>A 861 140 NU</b>	1 pcs
4	Cartridge cover (Cap)	<b>A 961 485 AA</b>	1 pcs	23	Manifold		
5	O - ring Ø 28,3 x 1,78	<b>A 961 667 NU</b>	2 pcs	24	O - ring Ø 29,82 x 2,62	<b>N 960 006 NU</b>	5 pcs
6	Clamping nut M43 x1,5	<b>N 960 019 AA</b>	1 pcs	25	O - ring Ø 28,3 x 1,78	<b>A 961 667 NU</b>	2 pcs
7	Nut for handle adaption	<b>A 963 372 NU</b>	1 pcs	26	Pipe freestanding		
8	O - ring Ø 35 x 3,2	<b>A 962 715 NU</b>	1 pcs	27	Cylindrical screw M5x12 DIN912 Inox A2		
9	Cartridge + pos.8	<b>A 860 621 NU</b>	1 Set	28	O - ring Ø 53,57 x 3,53	<b>A 962 530 NU*</b>	1 Set
10	Body			29	Escutcheon Ø 130mm		
11	Thread pin M6x8	<b>F 960 985 NU</b>	2 pcs	30	Cylindrical screw M8x35	<b>A 960 242 NU</b>	1 pcs
12	O - ring Ø 39,94 x 2,62	<b>A 960 331 NU*</b>	1 Set	31	Screw flange		
13	Nipple for cutting ring			32	Screw ring		
14	Compression ring Ø10 inside			33	Thread pin M5x6 DIN914	<b>A 962 041 NU*</b>	1 pcs
15	Compression nut M15x1			34	Flex. hose G1/2 - 125cm	<b>A 3306 AA</b>	1 pcs
17	Diverter complete	<b>B 960 167 AA</b>	1 Set	35	Hand spray	<b>F 960 900 AA</b>	1 pcs
18	Pull knob	<b>B 960 486 AA</b>	1 pcs	36	Flow regulator - 8l/min	<b>B 961 093 NU</b>	1 pcs

\*Universal set (not all parts needed)