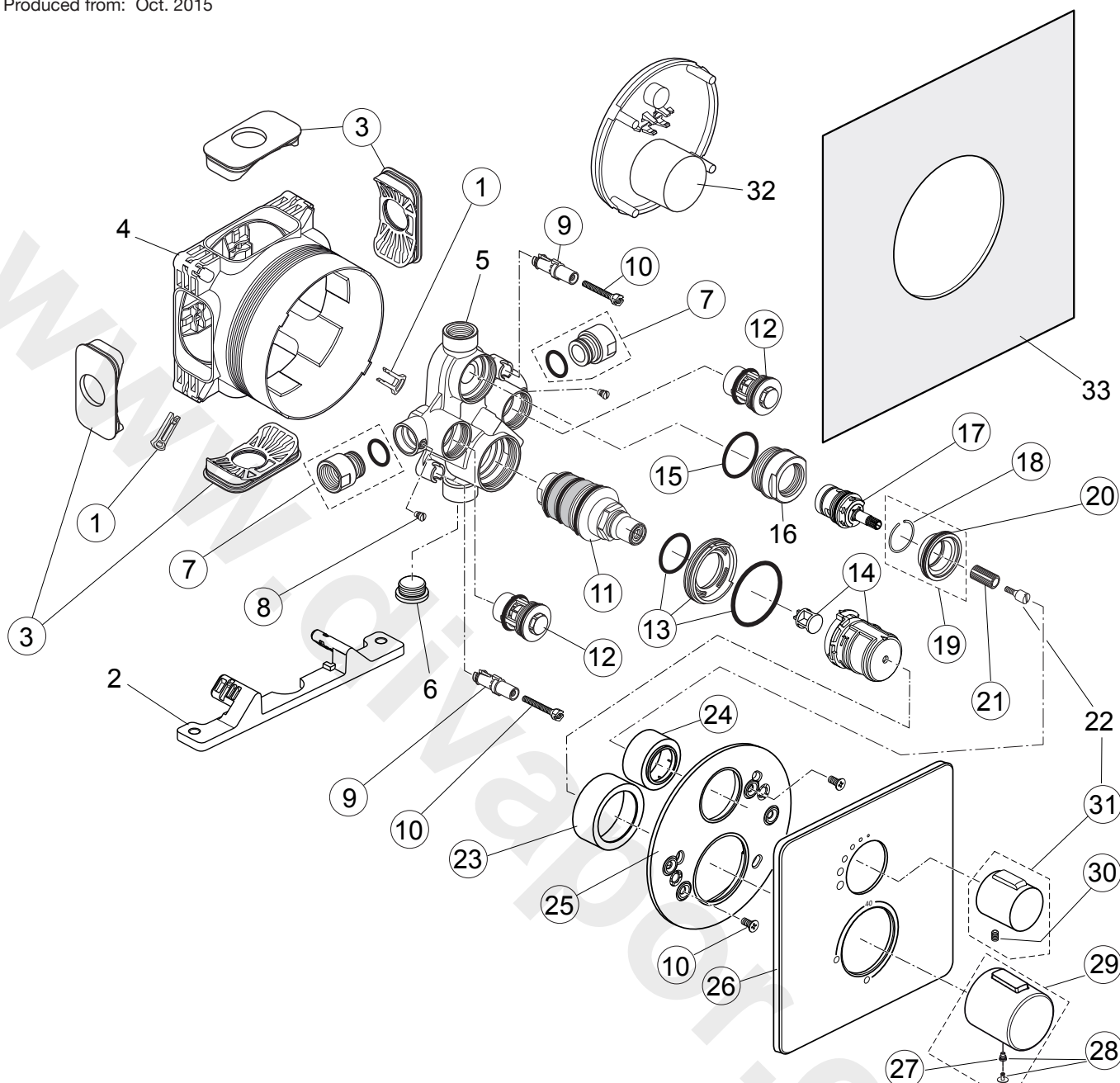


Produced from: Oct. 2015



Shower Thermostat  
chrome **A6632AA**

Pos.	Description	Part-Number	Qty.	Pos.	Description	Part-Number	Qty.
1	Adjustment lock	<b>A 963 131 NU*</b>	1 Set	19	Holder f. escutcheon Vol.	<b>F 960 909 NU</b>	1 Set
2	Fixation Built-in Box			20	O - ring Ø 34 x 2	<b>A 960 183 NU</b>	2 pcs
3	Side sealing	<b>A 963 132 NU</b>	1 Set	21	Handle insert	<b>A 963 196 NU</b>	2 pcs
4	Built-in box			22	Fixation screw M4 / Ø8 / 22,5		
5	Body Thermostat with Volume control			23	Cover / Cap Temperature	<b>F 960 910 AA</b>	1 pcs
6	Plug G1/2			24	Cover / Cap Volume Contr.	<b>F 960 911 AA</b>	1 pcs
7	Connection nipple cpl.	<b>F 960 899 NU</b>	1 pcs	25	Escutcheon holder cpl.	<b>F 960 912 NU</b>	1 pcs
8	Thread pin M5 x 5,5	<b>A 961 183 NU</b>	1 pcs	26	Escutcheon Temp./Volume	<b>F 960 915 AA</b>	1 pcs
9	Adapter screw	<b>F 960 903 NU</b>	2 pcs	27	Handle screw M5x5	<b>A 961 095 NU</b>	1 pcs
10	Screw set complete	<b>F 960 904 NU*</b>	1 Set	28	Cap with screw	<b>A 962 149 AA</b>	1 Set
11	Thermostat cartridge	<b>F 960 905 NU</b>	1 pcs	29	Handle Therm w/o print	<b>F 960 952 AA*</b>	1 Set
12	None-return valve DN20	<b>F 960 906 NU</b>	1 pcs	30	Thread pin M5 x 8 DIN913	<b>A 960 229 NU</b>	1 pcs
13	Holder f. escutcheon Temp.	<b>F 960 907 NU</b>	1 Set	31	Vol. handle w. Logo + pos. 22	<b>A 860 957 AA</b>	1 Set
14	Temp.-adjustment cpl.	<b>F 960 908 NU</b>	1 pcs	32	Cover for built-in box		
15	O - ring Ø 31,47 x 1,78	<b>A 963 154 NU</b>	1 pcs	33	Sealing fleece		
16	Thread ring M36 x 1,5				Extension kit 22mm	<b>A 6134 AA</b>	1 pcs
17	Headwork G3/4 - 90°	<b>A 960 898 NU</b>	1 pcs				
18	Snap ring	<b>A 962 368 NU</b>	1 pcs				

\* Universal-Set - not all parts are needed