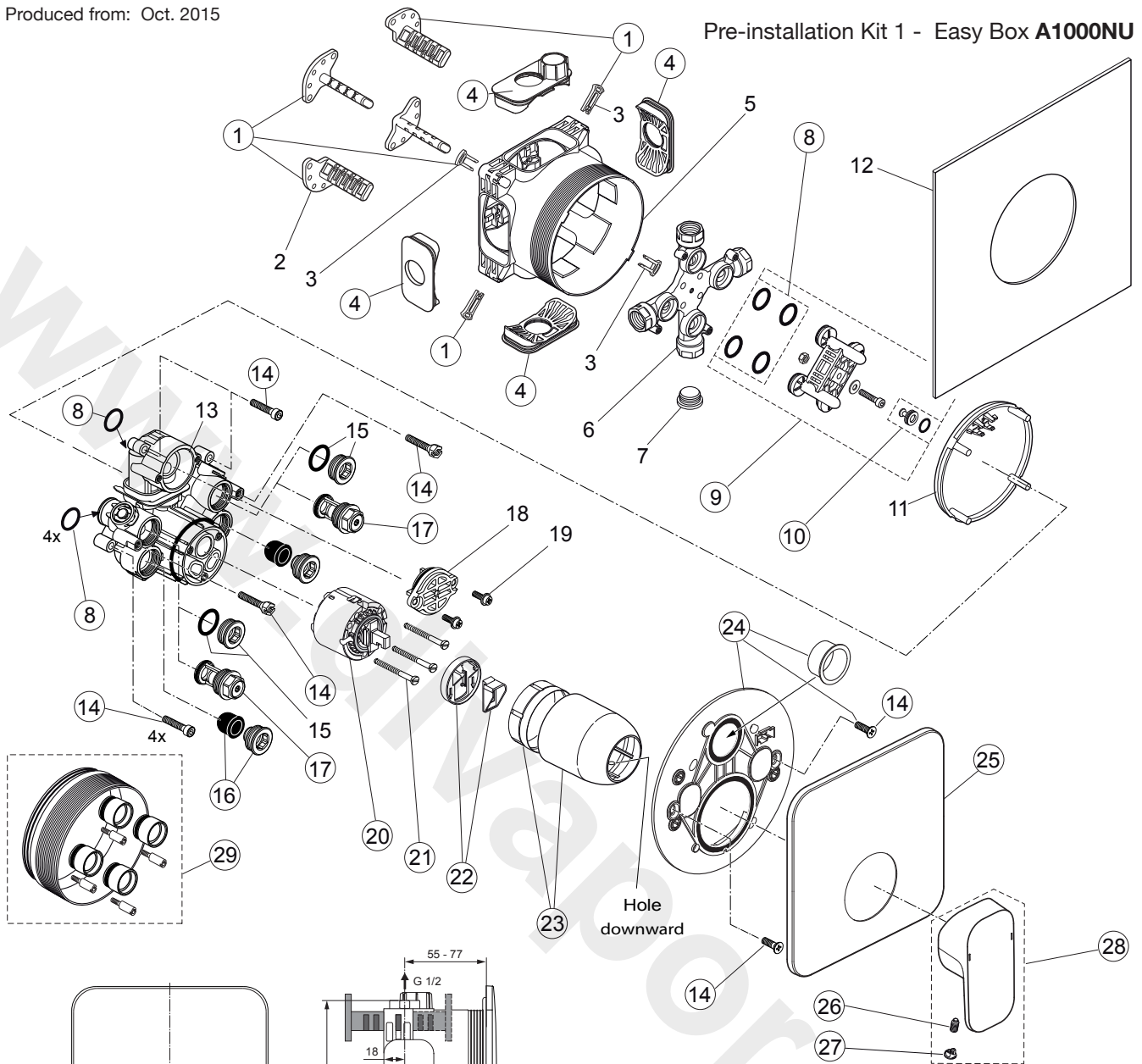
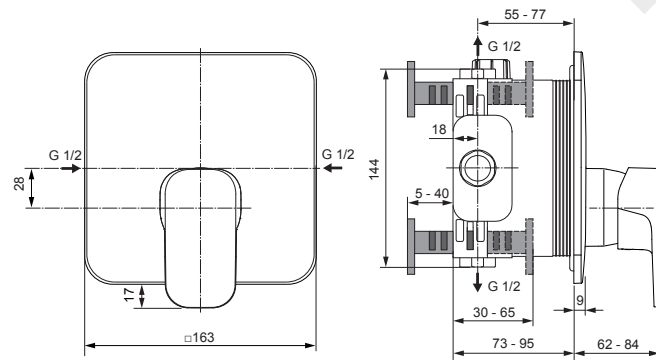


Produced from: Oct. 2015

Pre-installation Kit 1 - Easy Box A1000NU



Body and Designparts Kit 2 - A6629AA



Pos.	Description	Part-Number	Qty.	Pos.	Description	Part-Number	Qty.
1	Install. depth adjust. + pos.3	A 963 131 NU	1 Set	17	Stop valve	A 960 706 NU	2 pcs
2	Depth adjustment device			18	Front cover with o-ring		
3	Adjustment lock (contained in pos. 1)			19	Screw M4x12		
4	Side sealing	A 963 132 NU	1 Set	20	Cartridge with pos.22	A 960 500 NU	1 Set
5	Built-in box			21	Cylindrical screw M4x41,7	A 963 335 NU	3 pcs
6	Multi-way body			22	ECO-kit	A 860 700 NU	1 Set
7	Plug G1/2			23	Cover + clamping + O-ring	A 960 893 AA	1 Set
8	O-ring Ø 17 x 2,5	A 963 143 NU	1 Set	24	Escutcheon holder compl.	A 860 897 NU	1 Set
9	Flushing device cpl.	A 963 146 NU	1 Set	25	Escutcheon B/S plane	A 860 898 AA	1 pcs
10	Plug with o-ring Ø 12x1,5	A 963 147 NU	1 Set	26	Thread pin M5x10 DIN915	A 963 309 NU	1 pcs
11	Cover for built-in box			27	Cap for handle	B 960 473 AA	1 pcs
12	Sealing fleece			28	Lever cpl. with Logo Sottini	A 861 029 AA	1 Set
13	Body Single lever			29	Extension kit 20mm	A 960 704 NU	1 Set
14	Screw set complete	A 960 890 NU*	1 Set		Extension kit 40mm	A 962 476 NU	1 Set
15	Plug with o-ring						
16	Low noise insert	A 960 891 NU	1 pcs				

*Universal set (not all parts needed)