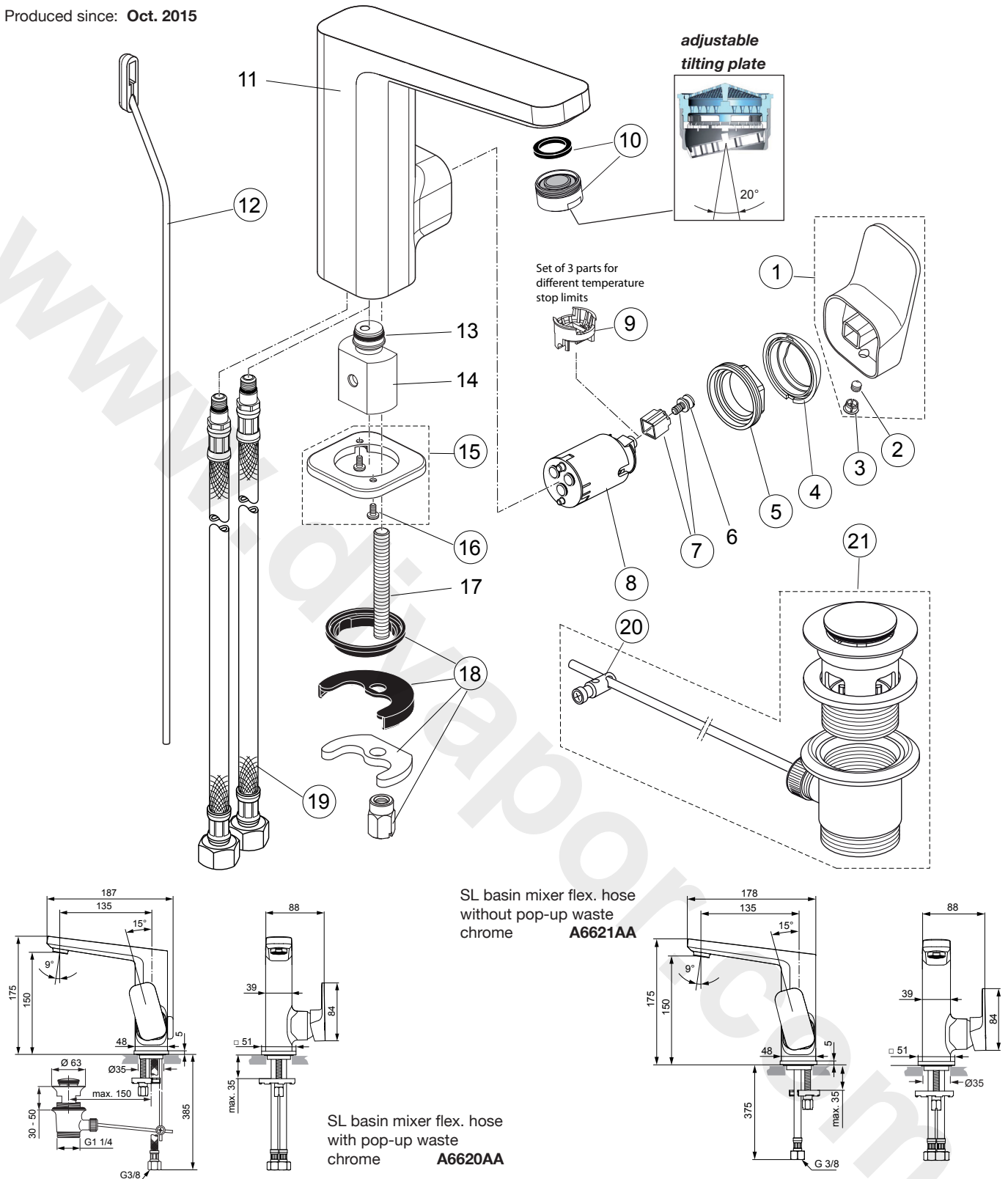


Produced since: Oct. 2015



Pos.	Description	Part-Number	Qty.	Pos.	Description	Part-Number	Qty.
1	Lever cpl. with Logo Sottini	A 861 028 AA	1 Set	12	Lift rod complete	A 960 654 NU	1 Set
2	Thread pin M5x6 DIN914	A 860 603 NU	1 pcs	13	O - Ring Ø 12,42 x 1,78		
3	Handle cap	A 960 396 AA	1 pcs	14	Manifold		
4	Cover cap	F 960 975 AA	1 pcs	15	Escutcheon + screws	A 860 893 AA	1 Set
5	Clamping nut M36 x 1	B 961 087 NU	1 pcs	16	Srew M3 x 6 Din 85	A 960 342 NU*	1 Set
6	Handle srew M4			17	Bolt M8x63		
7	Handle insert + screw	B 961 086 NU	1 Set	18	Fixation kit	A 964 520 NU*	1 Set
8	Cartridge Kerox Ø28 + Pos 6	F 960 855 NU	1 Set	19	Flex. hose M8x1-G3/8-420	A 962 370 NU	1 pcs
9	Hot water limiter - 3 parts	B 961 088 NU	1 Set	20	Bracket	A 961 172 NU	1 pcs
10	Aerator M24x1 - 5ltr/min	F 960 876 AA	1 pcs	21	Pop-up waste complete	A 961 230 AA	1 Set
11	Body						

*Universal set (not all parts needed)