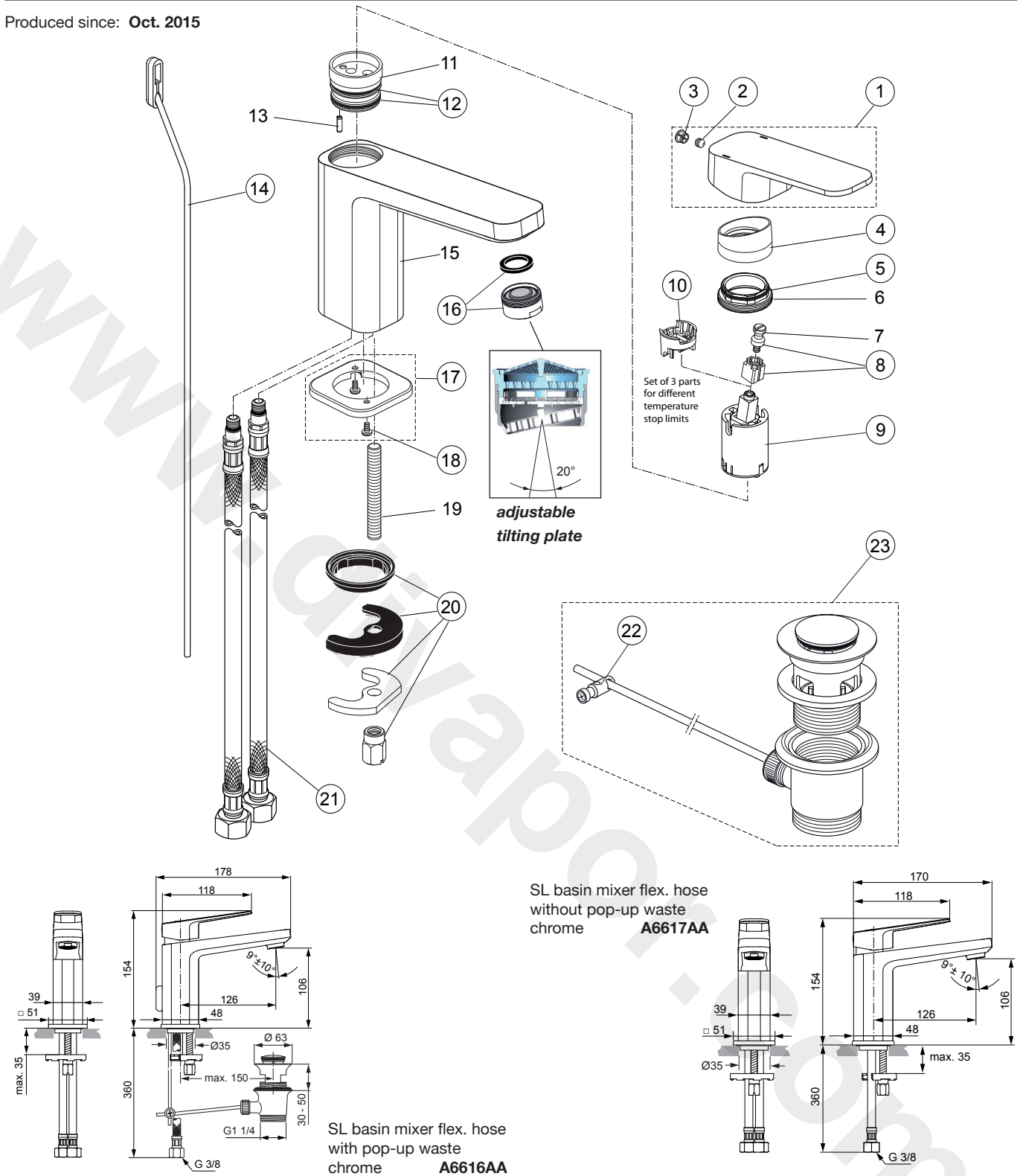


Produced since: **Oct. 2015**



| Pos. | Description                  | Part-Number         | Qty.  | Pos. | Description              | Part-Number          | Qty.  |
|------|------------------------------|---------------------|-------|------|--------------------------|----------------------|-------|
| 1    | Lever cpl. with Logo Sottini | <b>A 861 027 AA</b> | 1 Set | 13   | Clamping pin             |                      |       |
| 2    | Thread pin M5x6 DIN914       | <b>A 860 603 NU</b> | 1 pcs | 14   | Lift rod complete        | <b>A 960 654 AA</b>  | 1 Set |
| 3    | Handle cap                   | <b>A 960 396 AA</b> | 1 pcs | 15   | Body                     |                      |       |
| 4    | Cover cap                    | <b>A 860 891 AA</b> | 1 pcs | 16   | Aerator M24x1 - 5ltr/min | <b>F 960 876 AA</b>  | 1 pcs |
| 5    | O - Ring Ø 25 x 1,5          | <b>A 962 496 NU</b> | 1 pcs | 17   | Escutcheon + screws      | <b>A 860 893 AA</b>  | 1 Set |
| 6    | Thread ring M33x1            |                     |       | 18   | Srew M3 x 6 Din 85       | <b>A 960 342 NU*</b> | 1 Set |
| 7    | Handle srew M4               |                     |       | 19   | Bolt M8x63               |                      |       |
| 8    | Lever adapter + srew         | <b>A 860 892 NU</b> | 1 Set | 20   | Fixation kit             | <b>A 964 520 NU*</b> | 1 Set |
| 9    | Cartridge Kerox Ø28 + Pos7   | <b>F 960 855 NU</b> | 1 Set | 21   | Flex. hose M8x1-G3/8-420 | <b>A 962 370 NU</b>  | 1 pcs |
| 10   | Hot water limiter - 3 parts  | <b>B 961 088 NU</b> | 1 Set | 22   | Bracket                  | <b>A 961 172 NU</b>  | 1 pcs |
| 11   | Manifold                     |                     |       | 23   | Pop-up waste complete    | <b>A 961 230 AA</b>  | 1 Set |
| 12   | O - Ring Ø 26,7 x 1,78       | <b>A 962 825 NU</b> | 1 pcs |      |                          |                      |       |

\*Universal set (not all parts needed)