



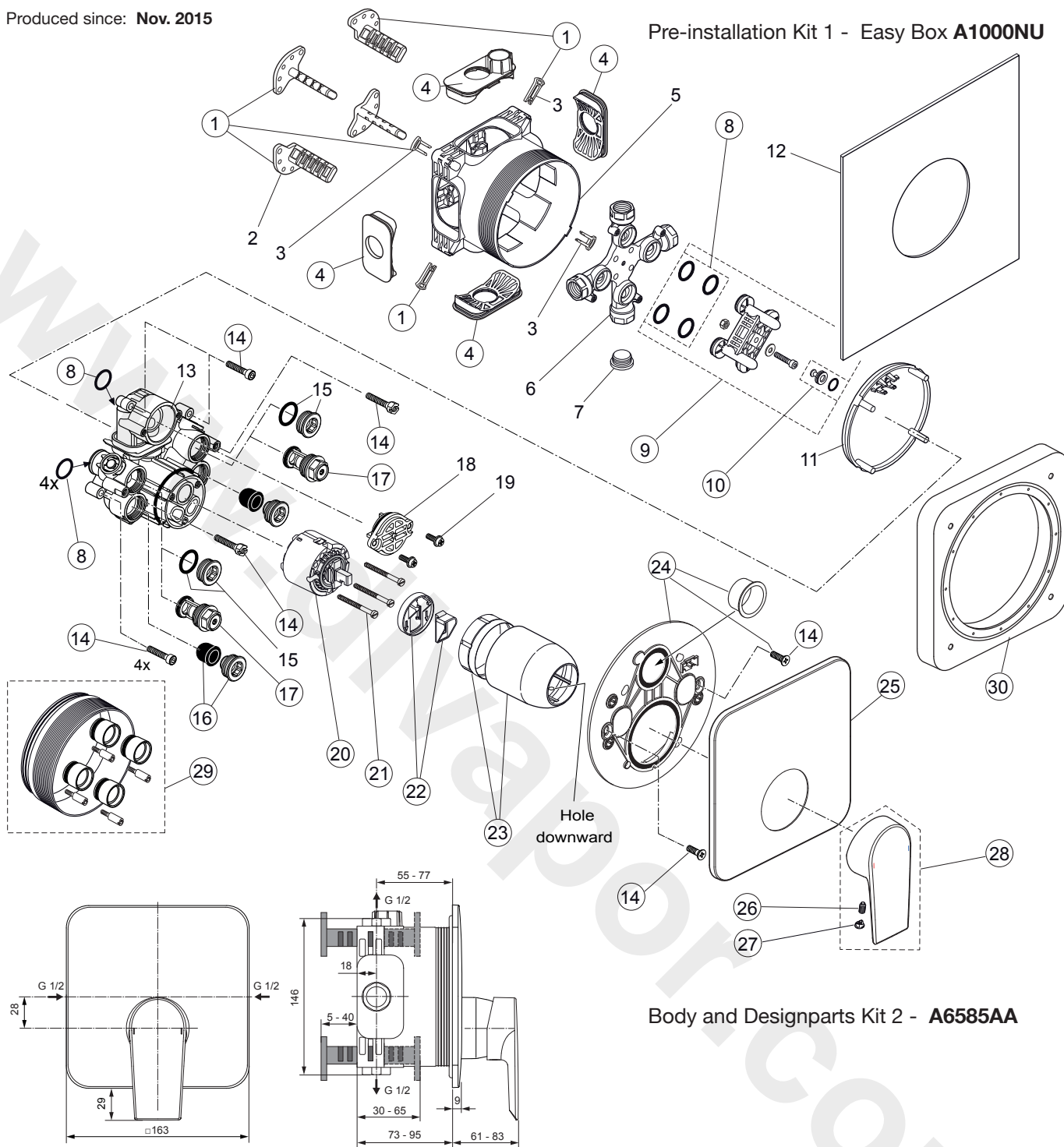
# Tesi

# A6585..

# Ideal Standard

Produced since: **Nov. 2015**

### Pre-installation Kit 1 - Easy Box A1000NU



### Body and Designparts Kit 2 - A6585AA

Pos.	Description	Part-Number	Qty.	Pos.	Description	Part-Number	Qty.
1	Install. depth adjust. + pos.3	<b>A 963 131 NU</b>	1 Set	17	Stop valve	<b>A 960 706 NU</b>	2 pcs
2	Depth adjustment device			18	Front cover with o-ring		
3	Adjustment lock ( contained in pos. 1 )			19	Screw M4x12		
4	Side sealing	<b>A 963 132 NU</b>	1 Set	20	Cartridge with pos.22	<b>A 960 500 NU</b>	1 Set
5	Built-in box			21	Cylindrical screw M4x41,7	<b>A 963 335 NU</b>	3 pcs
6	Multi-way body			22	ECO-kit	<b>A 860 700 NU</b>	1 Set
7	Plug G1/2			23	Cover + clamping + O-ring	<b>A 960 893 AA</b>	1 Set
8	O-ring Ø 17 x 2,5	<b>A 963 143 NU</b>	1 Set	24	Escutcheon holder cpl.	<b>A 860 897 NU</b>	1 Set
9	Flushing device cpl.	<b>A 963 146 NU</b>	1 Set	25	Escutcheon B/S plane	<b>A 860 898 AA</b>	1 pcs
10	Plug with o-ring Ø 12x1,5	<b>A 963 147 NU</b>	1 Set	26	Thread pin M5x10 DIN915	<b>A 963 309 NU</b>	1 pcs
11	Cover for built-in box			27	Cap for handle	<b>B 960 473 AA</b>	1 pcs
12	Sealing fleece			28	Lever cpl. with Logo ISI	<b>A 861 020 AA</b>	1 Set
13	Body Single lever			29	Extension kit 20mm	<b>A 960 704 NU</b>	1 Set
14	Screw set complete	<b>A 960 890 NU*</b>	1 Set		Extension kit 40mm	<b>A 962 476 NU</b>	1 Set
15	Plug with o-ring			30	Distanzframe 20mm	<b>A 6678 AA</b>	1 Set
16	Low noise insert	<b>A 960 891 NU</b>	1 pcs				

*\*Universal set (not all parts needed)*