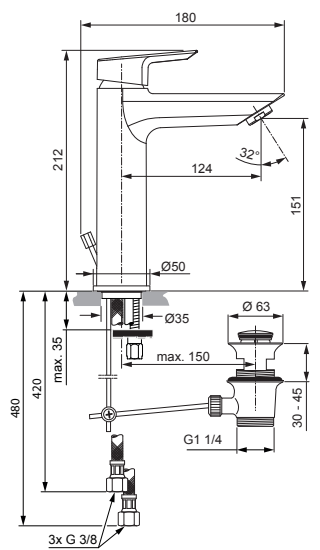
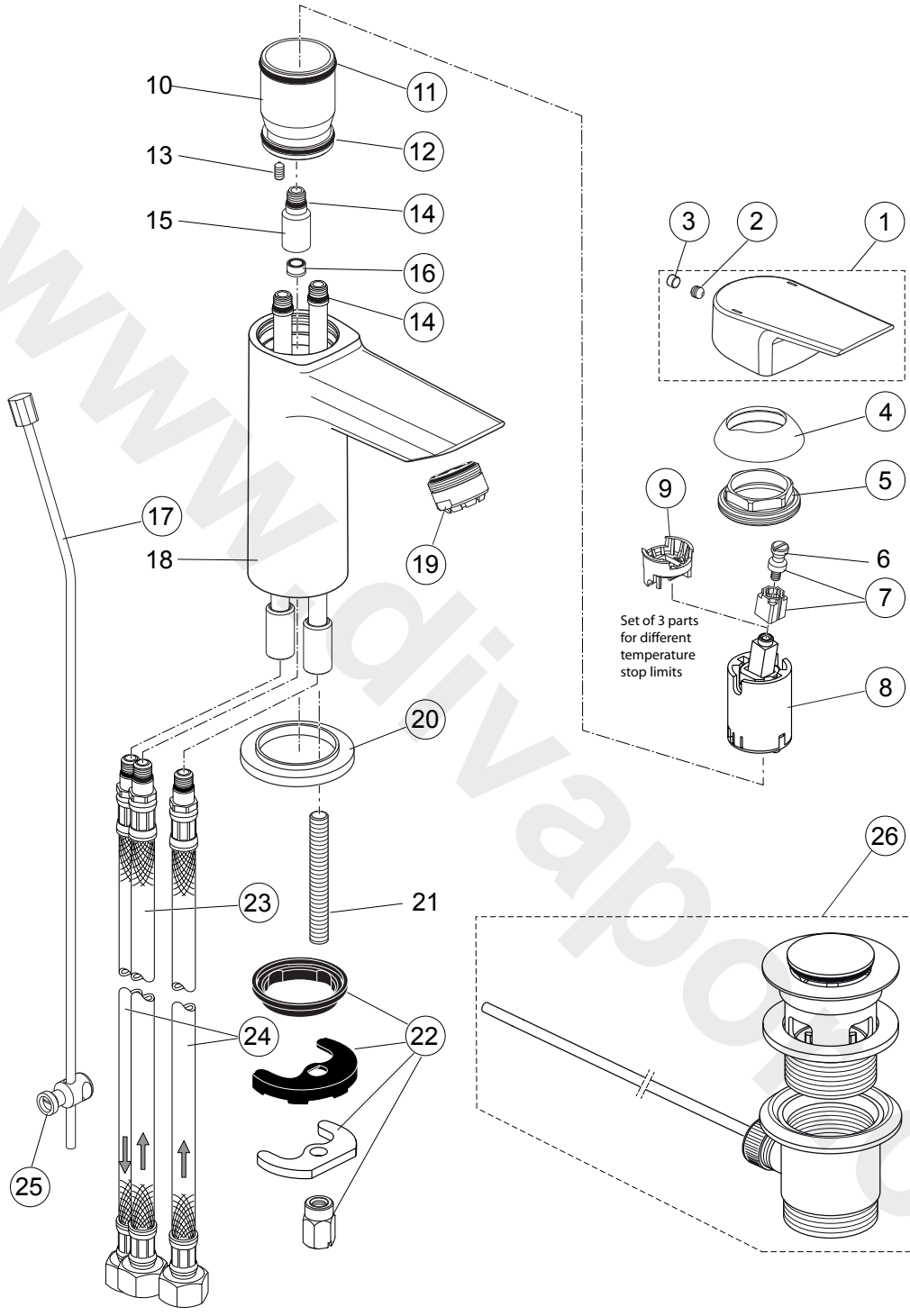
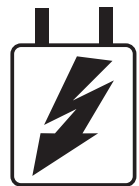


Produced since: **Nov. 2015**



SL basin mixer ND Grande
for low pressure water heater
with flex. hose
with pop-up waste
chrome
A6562AA



Pos.	Description	Part-Number	Qty.	Pos.	Description	Part-Number	Qty.
1	Lever cpl. with Logo ISI	A 861 018 AA	1 Set	14	O - Ring Ø 6 x 1,5	A 860 009 NU	3 pcs
2	Thread pin M5x6 DIN914	A 860 603 NU	1 pcs	15	Adapter		
3	Handle plug	A 963 751 NU	1 pcs	16	Flow limiter 6 ltr./min	A 860 984 NU	1 pcs
4	Cover cap	F 960 975 AA	1 pcs	17	Lift rod cpl. + Pos. 25	B 961 119 AA	1 Set
5	Thread ring M36x1	B 961 087 NU	1 pcs	18	Body		
6	Handle srew M4			19	Flow regulator M24X1	A 960 935 AA	1 pcs
7	Lever adapter + screw	A 860 892 NU	1 Set	20	Escutcheon	B 960 712 AA	1 pcs
8	Cartridge Kerox Ø28 + Pos.7	F 960 855 NU	1 Set	21	Bolt M8x63		
9	Hot water limiter - 3 parts	B 961 088 NU	1 Set	22	Fixation kit	A 964 520 NU	1 Set
10	Manifold			23	Flex. hose M10x1-G3/8-550	A 963 685 NU	1 pcs
11	O - Ring Ø 28 x 2	A 963 299 NU	1 pcs	24	Flex. hose M10x1-G3/8-450	A 963 600 NU	1 pcs
12	O - Ring Ø 26,7 x 1,78	A 962 825 NU	1 pcs	25	Bracket	A 961 172 NU	1 pcs
13	Thread pin M4 x 8 ISO 4027			26	Pop-up waste complete	A 962 991 AA	1 Set