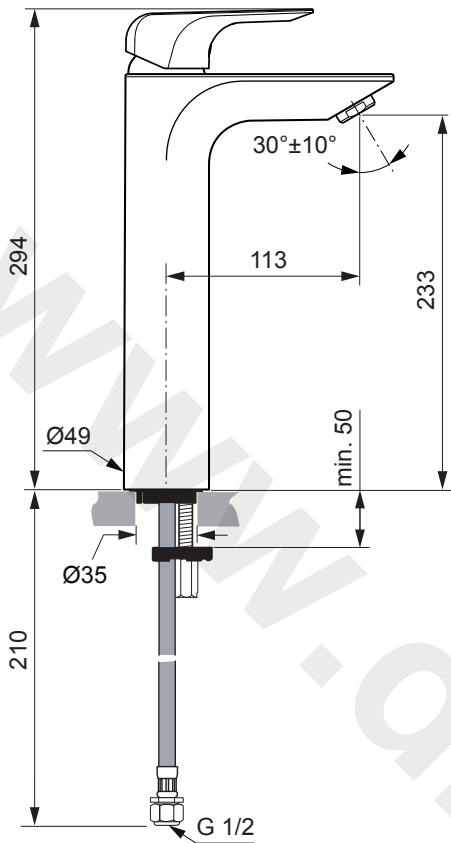
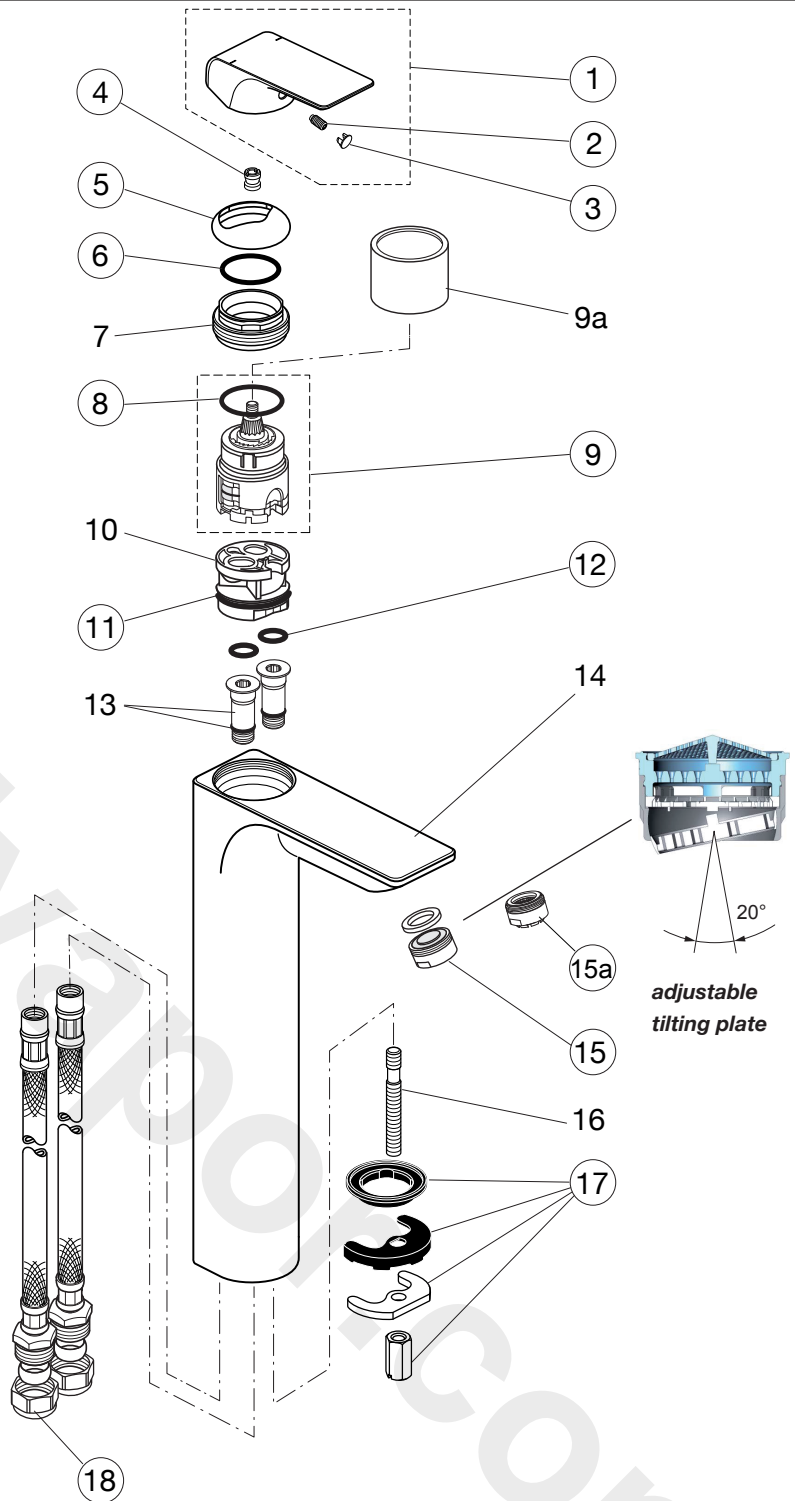


Produced from: Aug. 2015



SL basin mixer  
with aerator 5l/min  
without pop-up waste

A6517AA



Pos.	Description	Part-Number	Qty.	Pos.	Description	Part-Number	Qty.
1	Lever cpl. with Logo Sottini	<b>A 860 959 AA</b>	1 Set	11	O - Ring Ø 34,65 x 1,78	<b>A 962 848 NU</b>	2 pcs
2	Thread pin M5x6 DIN914	<b>A 860 603 NU</b>	1 pcs	12	O-ring Ø 10 x 2	<b>A 963 495 NU</b>	2 pcs
3	Handle cap	<b>B 960 473 AA</b>	1 pcs	13	Adapter flex. hose		
4	Handle adapter	<b>A 963 372 NU</b>	1 pcs	14	Body		
5	Cover cap	<b>F 960 874 AA</b>	1 pcs	15	Aerator M24x1 - 5ltr/min	<b>F 960 876 AA</b>	1 pcs
6	O - Ring Ø 28,3 x 1,78	<b>A 961 667 NU</b>	2 pcs	15a	Aerator M24x1 - dripless	<b>A 963 681 AA</b>	1 pcs
7	Thread ring M43x1,5			16	Bolt M8x77		
8	O - Ring Ø 35 x 3,2	<b>A 962 715 NU</b>	1 pcs	17	Fixation kit	<b>B 960 432 NU*</b>	1 Set
9	Cartridge Multiport +pos.4	<b>A 962 716 NU</b>	1 pcs	18	Flex. hose M8x1-G3/8-500	<b>A 960 485 NU</b>	1 pcs
9a	Sleeve for MP-Cartridge						
10	Manifold						

\*Universal set (not all parts needed)