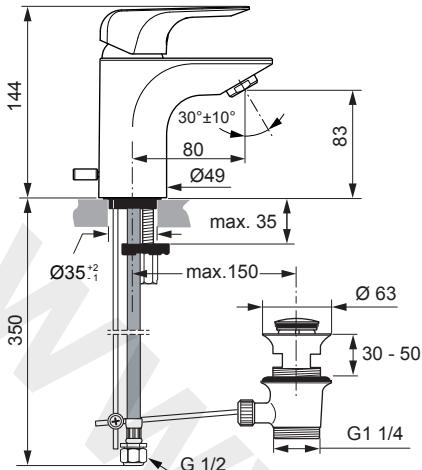
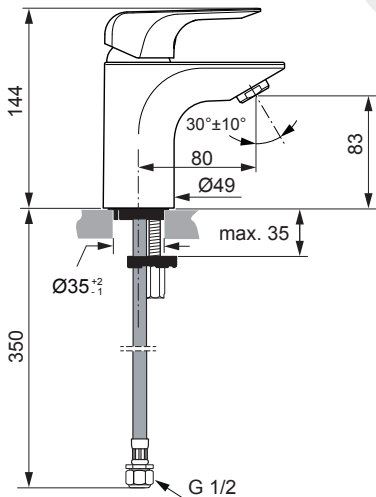


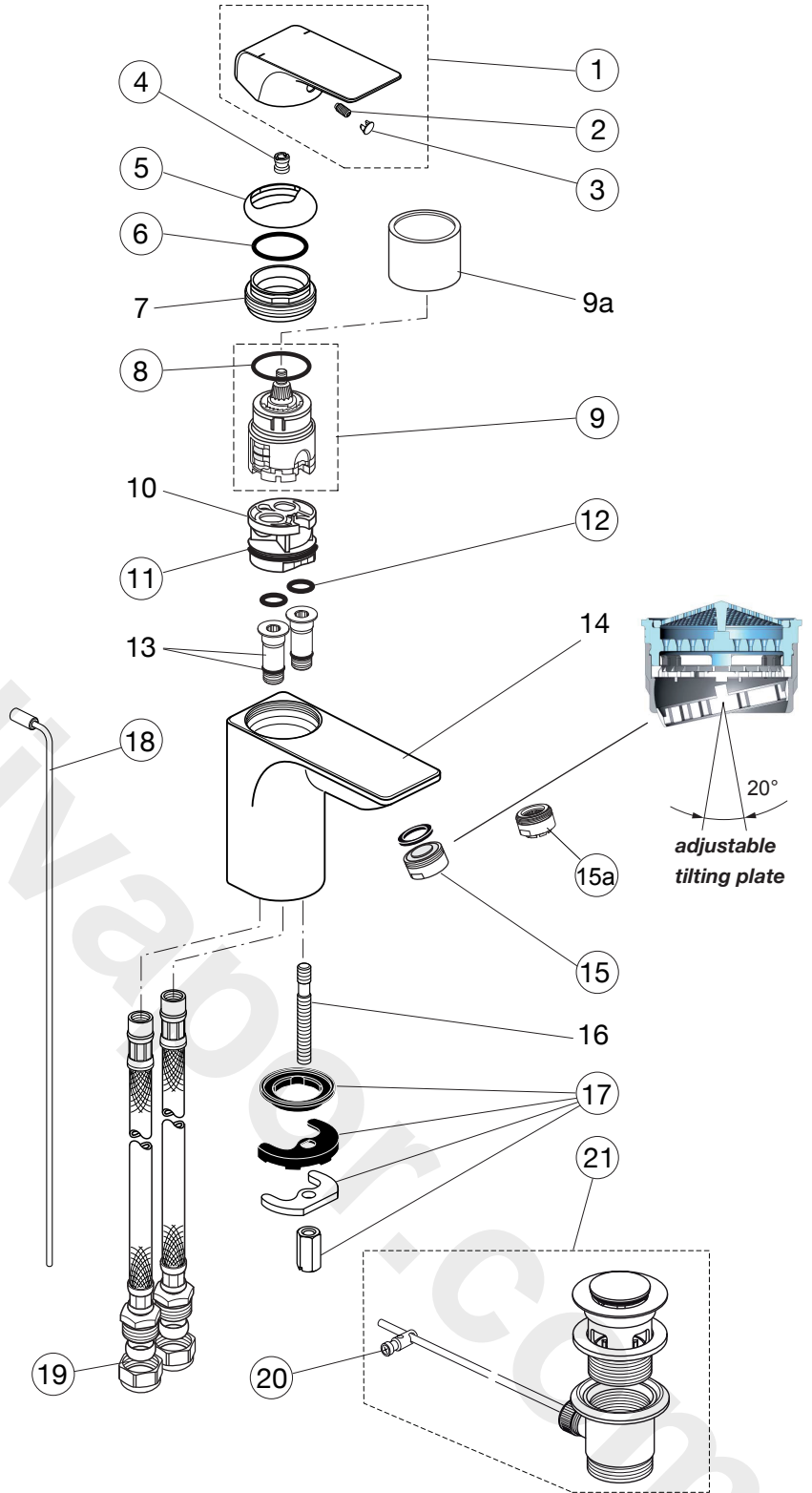
Produced from: April. 2015



SL basin mixer Piccolo flex. hose with aerator 5l/min with pop-up waste chrome **A6515AA**



SL basin mixer Piccolo flex. hose with aerator 5l/min without pop-up waste chrome **A6516AA**



| Pos. | Description                  | Part-Number         | Qty.  | Pos. | Description                | Part-Number         | Qty.  |
|------|------------------------------|---------------------|-------|------|----------------------------|---------------------|-------|
| 1    | Lever cpl. with Logo Sottini | <b>F 860 959 AA</b> | 1 Set | 12   | O-ring Ø 10 x 2            | <b>A 963 495 NU</b> | 2 pcs |
| 2    | Thread pin M5x6 DIN914       | <b>A 860 603 NU</b> | 1 pcs | 13   | Adapter flex. hose         |                     |       |
| 3    | Handle cap                   | <b>B 960 473 AA</b> | 1 pcs | 14   | Body                       |                     |       |
| 4    | Handle adapter               | <b>A 963 372 NU</b> | 1 pcs | 15   | Aerator M24x1 - 5ltr/min   | <b>F 960 876 AA</b> | 1 pcs |
| 5    | Cover cap                    | <b>F 960 874 AA</b> | 1 pcs | 15a  | Aerator M24x1 - dripless   | <b>A 963 681 AA</b> | 1 pcs |
| 6    | O - Ring Ø 28,3 x 1,78       | <b>A 961 667 NU</b> | 2 pcs | 16   | Bolt M8x63                 |                     |       |
| 7    | Thread ring M43x1,5          |                     |       | 17   | Fixation kit               | <b>B 960 432 NU</b> | 1 Set |
| 8    | O - Ring Ø 35 x 3,2          | <b>A 962 715 NU</b> | 1 pcs | 18   | Lift rod complete + pos.20 | <b>A 962 341 AA</b> | 1 Set |
| 9    | Cartridge Multiport +pos.4   | <b>A 962 716 NU</b> | 1 Set | 19   | Flex. hose M10x1-G1/2-330  | <b>A 960 485 NU</b> | 1 pcs |
| 9a   | Sleeve for MP-Cartridge      |                     |       | 20   | Bracket                    | <b>A 961 172 NU</b> | 1 pcs |
| 10   | Manifold                     |                     |       | 21   | Pop-up waste complete      | <b>B 960 853 AA</b> | 1 Set |
| 11   | O - Ring Ø 34,65 x 1,78      | <b>A 962 848 NU</b> | 2 pcs |      |                            |                     |       |