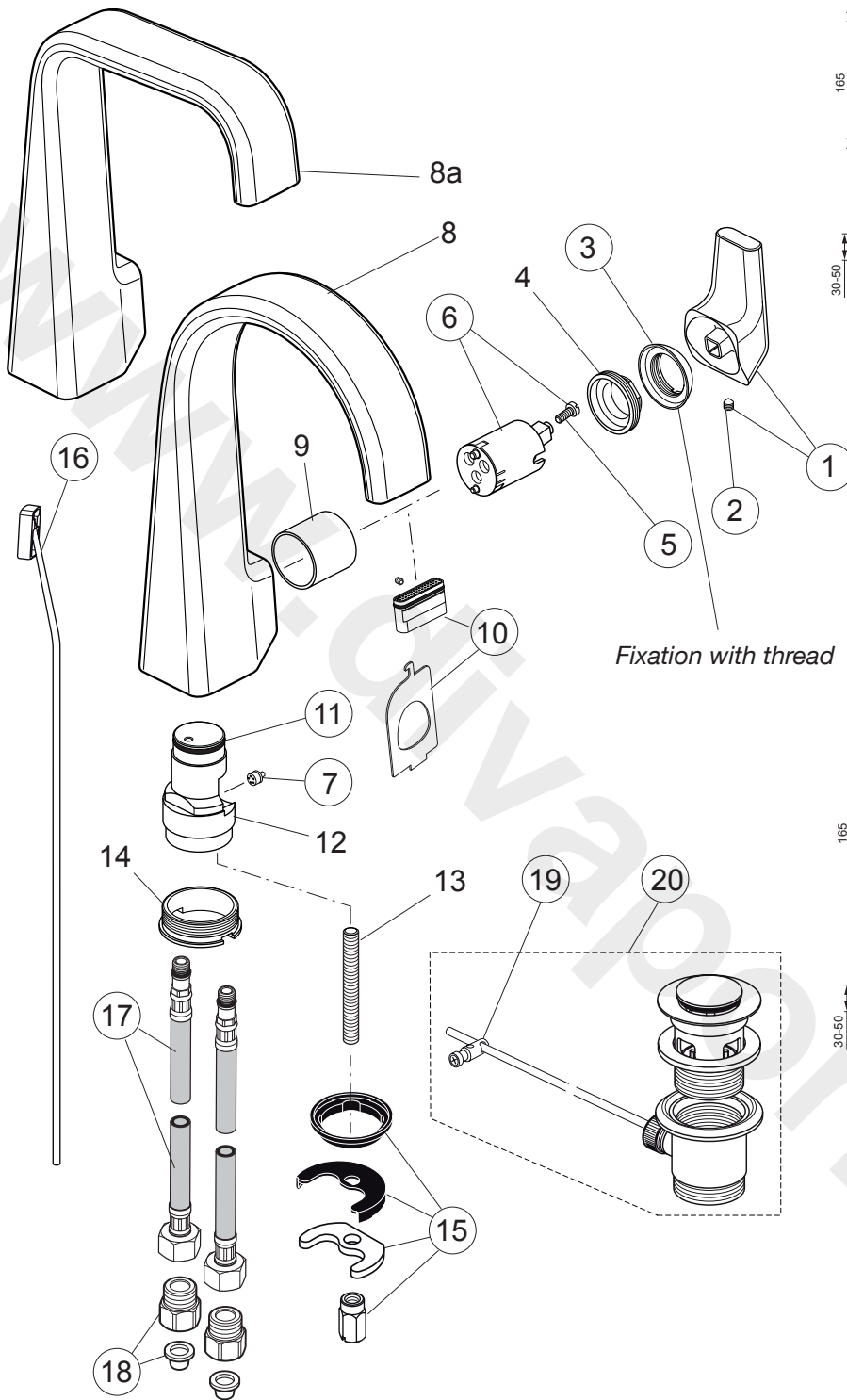


Produced from: Aug. 2015



SL basin mixer,
with pop-up waste
with flex. hose
chrome **A6480AA**

without pop-up waste
with flex. hose
chrome **A6481AA**

SL basin mixer,
with pop-up waste
with flex. hose
chrome **A6482AA**

without pop-up waste
with flex. hose
chrome **A6483AA**

Pos.	Description	Part-Number	Qty.	Pos.	Description	Part-Number	Qty.
1	Lever cpl. with red/blue	F 960 850 AA	1 Set	11	O - Ring Ø 22,3 x 2,4	F 960 843 NU	1 pcs
2	Thread pin M5x6 DIN914	A 860 603 NU	1 pcs	12	Manifold insert		
3	Cover cap M24x1 inside	F 960 854 AA	1 pcs	13	Bolt M8 x 77		
4	Clamping nut M33/M24x1 outside			14	Clamping nut M39 x 1		
5	Cylindrical screw M4 x 10	A 960 230 NU	2 pcs	15	Fixation kit	B 960 432 NU*	1 Set
6	Cartridge with screw	F 960 855 NU	1 pcs	16	Lift rod complete	F 960 857 AA	1 Set
7	Flow limiter	F 960 856 NU	1 pcs	17	Flex. hose M8x1 / G3/8	A 962 370 NU	1 pcs
8	Body (curve design)			18	Connector with strainer	A 962 215 AA	1 pcs
8a	Body (arc design)			19	Bracket	A 961 172 NU	1 pcs
9	Sleeve Ø 31,4 x 29	A 961 114 NU	1 pcs	20	Pop-up waste complete	A 961 230 AA	1 Set
10	Flow straightener complete	A 962 294 NU	1 Set				

*Universal set (not all parts needed)