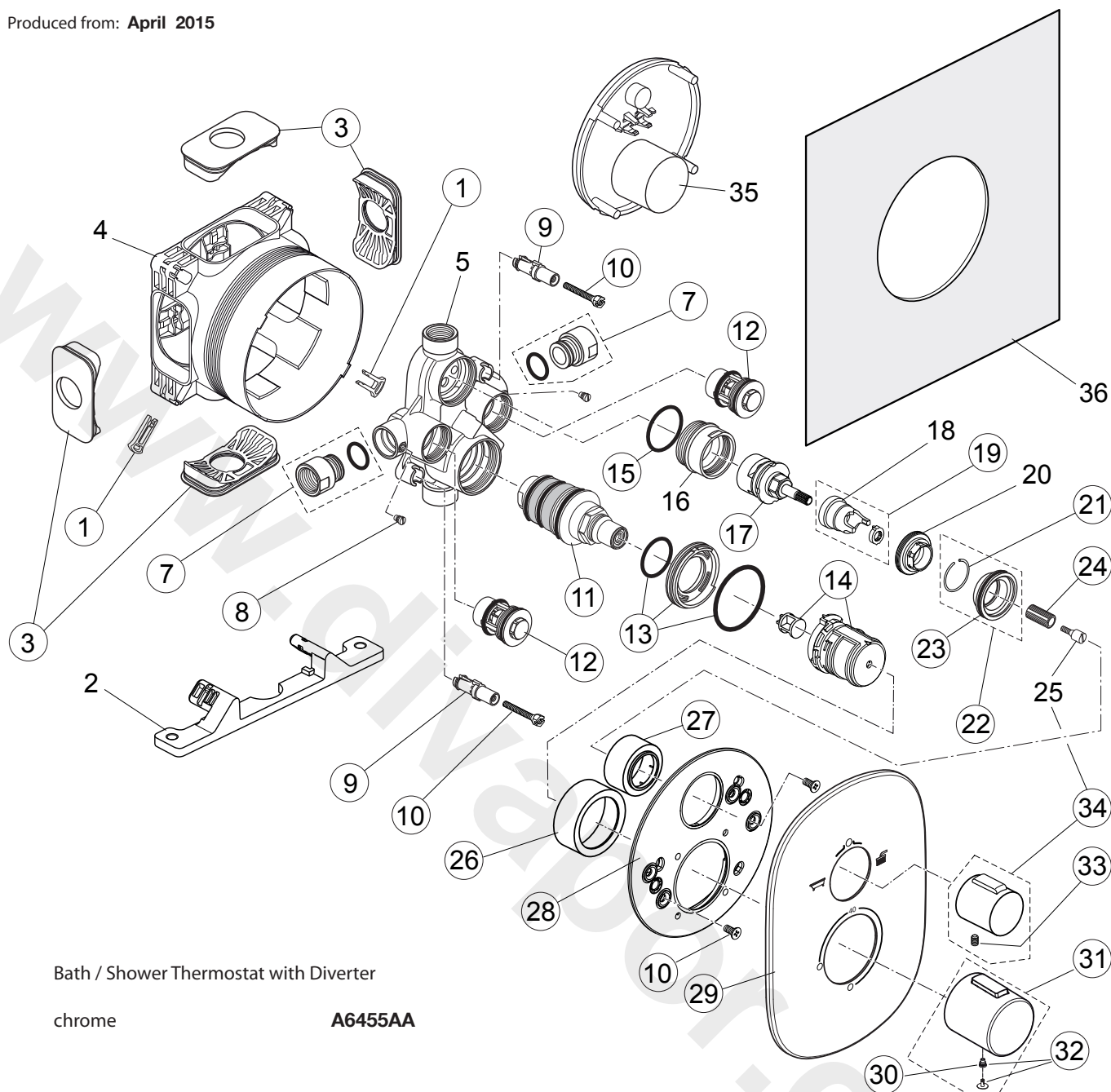


Produced from: April 2015



Bath / Shower Thermostat with Diverter

chrome

A6455AA

| Pos. | Description | Part-Number | Qty. | Pos. | Description | Part-Number | Qty. |
|------|-------------------------------------|---------------|-------|------|-------------------------------|---------------|-------|
| 1 | Adjustment lock | A 963 131 NU* | 1 Set | 21 | Snap ring | A 962 368 NU | 1 pcs |
| 2 | Fixation Built-in Box | | | 22 | Holder f. escutcheon Vol. | F 960 909 NU | 1 Set |
| 3 | Side sealing | A 963 132 NU | 1 Set | 23 | O - ring Ø 34 x 2 | A 960 183 NU | 2 pcs |
| 4 | Built-in box | | | 24 | Handle insert | A 963 196 NU | 2 pcs |
| 5 | Body Thermostat with Volume control | | | 25 | Fixation screw M4 / Ø8 / 22,5 | | |
| 7 | Connection nipple cpl. | F 960 889 NU | 1 Set | 26 | Cover / Cap Temperature | F 960 910 AA | 1 pcs |
| 8 | Thread pin M5 x 5,5 | A 961 183 NU | 1 pcs | 27 | Cover / Cap Volume Contr. | F 960 911 AA | 1 pcs |
| 9 | Adapter screw | F 960 903 NU | 2 pcs | 28 | Escutcheon holder cpl. | F 961 108 NU | 1 pcs |
| 10 | Screw set complete | F 960 904 NU* | 1 Set | 29 | Escutcheon with symbols | A 860 958 AA | 1 pcs |
| 11 | Thermostat cartridge | F 960 905 NU | 1 pcs | 30 | Handle screw M5x5 | A 961 095 NU | 1 pcs |
| 12 | None return-valve DN20 | F 960 906 NU | 1 pcs | 31 | Handle Therm w/o print | F 960 952 AA* | 1 pcs |
| 13 | Holder f. escut. Temp. | F 960 907 NU | 1 Set | 32 | Cap with screw | A 962 149 AA | 1 Set |
| 14 | Temp.-adjustment cpl. | F 960 908 NU | 1 Set | 33 | Thread pin M5 x 8 DIN913 | A 960 229 NU | 1 pcs |
| 15 | O - ring Ø 34,65 x 1,78 | A 962 848 NU | 2 pcs | 34 | Vol. handle w. Logo + pos. 25 | A 860 957 AA | 1 Set |
| 16 | Thread ring M40 x 1,5 | | | 35 | Cover for built-in box | | |
| 17 | Stop valve with diverter | A 962 480 NU | 1 Set | 36 | Sealing fleece | | |
| 18 | Clamp cover | | | | Extension kit 22mm | A 6134 AA | 1 Set |
| 19 | Clamp cover with washer | A 962 481 NU | 1 Set | | | | |
| 20 | Clamping nut M36 x 1 | | | | | | |

* Universal-Set - not all parts are needed