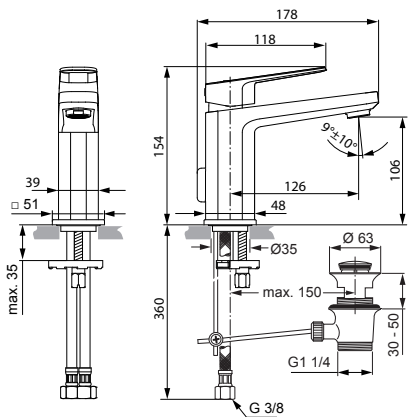
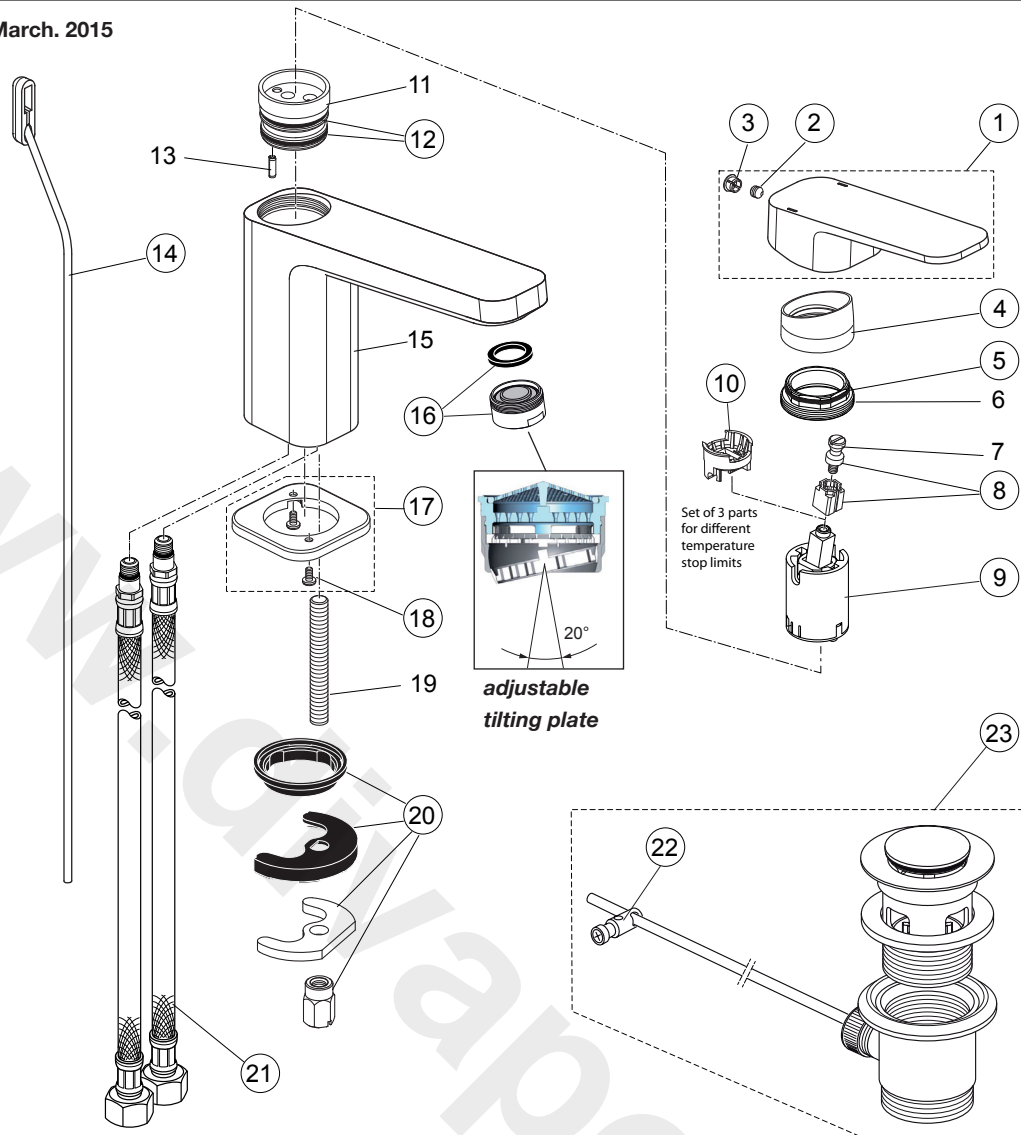


# Tonic II A6326.. A6327..

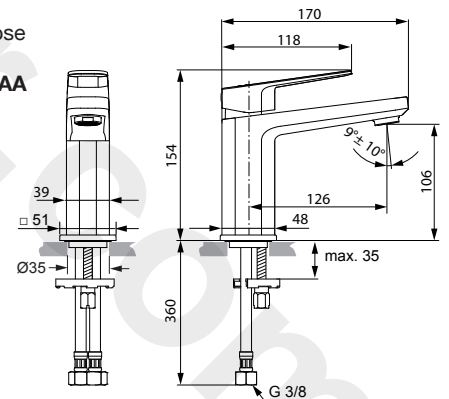


Produced since: **March. 2015**



SL basin mixer flex. hose with pop-up waste chrome **A6326AA**

SL basin mixer flex. hose without pop-up waste chrome **A6327AA**



Pos.	Description	Part-Number	Qty.	Pos.	Description	Part-Number	Qty.
1	Lever compl. with Logo ISI	<b>A 860 890 AA</b>	1 Set	13	Clamping pin		
2	Thread pin M5x6 DIN914	<b>A 860 603 NU</b>	1 pcs	14	Lift rod complete	<b>A 960 654 NU</b>	1 Set
3	Handle cap	<b>A 960 396 AA</b>	1 pcs	15	Body		
4	Cover cap	<b>A 860 891 AA</b>	1 pcs	16	Aerator M24x1 - 5ltr/min	<b>F 960 876 AA</b>	1 pcs
5	O - Ring Ø 25 x 1,5	<b>A 962 496 NU</b>	1 pcs	17	Escutcheon + screws	<b>A 860 893 AA</b>	1 Set
6	Thread ring M33x1			18	Srew M3 x 6 Din 85	<b>A 960 342 NU*</b>	1 Set
7	Handle srew M4			19	Bolt M8x63		
8	Lever adapter + srew	<b>A 860 892 NU</b>	1 Set	20	Fixation kit	<b>A 964 520 NU*</b>	1 Set
9	Cartridge Kerox Ø28 + Pos7	<b>F 960 855 NU</b>	1 Set	21	Flex. hose M8x1-G3/8-420	<b>A 962 370 NU</b>	1 pcs
10	Hot water limiter - 3 parts	<b>B 961 088 NU</b>	1 Set	22	Bracket	<b>A 961 172 NU</b>	1 pcs
11	Manifold			23	Pop-up waste complete	<b>A 961 230 AA</b>	1 pcs
12	O - Ring Ø 26,7 x 1,78	<b>A 962 825 NU</b>	1 pcs				

\*Universal set (not all parts needed)