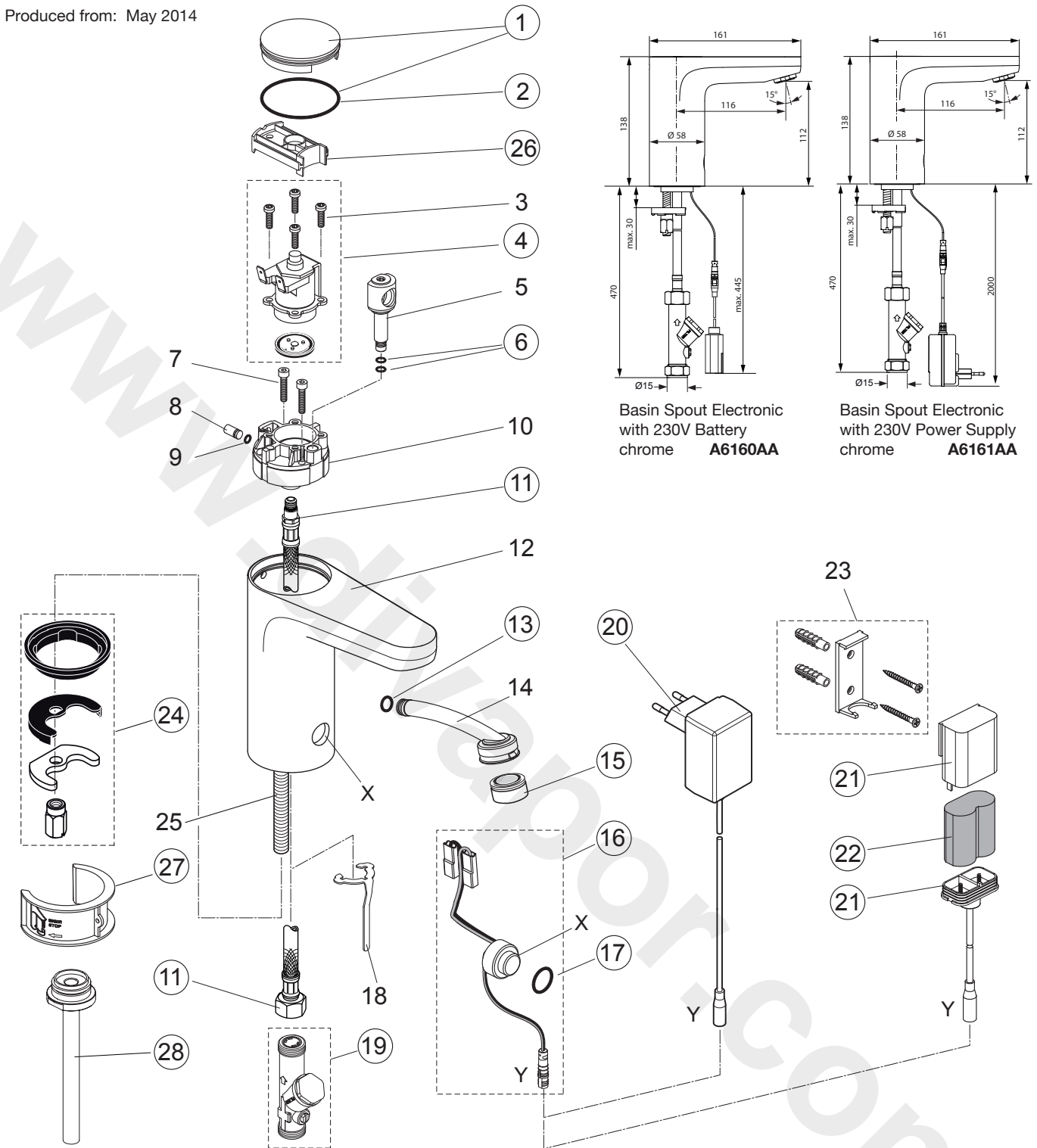


# Sensorflow Wave A6160.. A6161

Armitage  
Shanks

Produced from: May 2014



Pos.	Description	Part-Number	Qty.	Pos.	Description	Part-Number	Qty.
1	Cover w. O-Ring	F 961 040 AA	1 pcs	16	Sensor complete + Pos.17	F 961 031 NU	1 Set
2	O-Ring Ø 50,52 x 1,78	A 962 639 NU	1 pcs	17	O - Ring Ø 15,6 x 1,78	A 961 182 NU	2 pcs
3	Screw Ejot PT 40x14-DS			18	Clamp		
4	Magnet valve + Pos.3	F 961 028 NU	1 Set	19	Service valve	E 960 086 NU	1 pcs
5	Pipe adapter			20	Power supply / Input 100 - 240V AC / 50 - 60Hz Output 6,5V DC / 0,92A	F 961 033 NU	1 pcs
6	O - Ring Ø 5 x 1,0 + Pos.9	F 961 029 NU	1 Set		Extension cable 2 m	A 960 635 NU	1 pcs
7	Cylindrical screw M4x20 DIN912			21	Battery case + Pos. 23	F 961 038 NU	1 pcs
8	Plug			22	Battery 6V CR-P2	A 960 161 NU	1pcs
9	O - Ring Ø 4 x 1,2 (included in Pos.6)			23	Battery case holder cpl.		
10	Body ( magnet valve )			24	Fixation kit	A 960 001 NU	1 pcs
11	Flex. hose M10x1-G1/2	A 960 505 NU	1 pcs	25	Fixation-Bolt M8 x 63		
12	Body ( Electr. spout )			26	Holder	F 961 084 NU	1 psc
13	O - Ring Ø 8 x 1,5	A 961 118 NU	1 pcs	27	Sensor Cover	F 961 083 NU	1 pcs
14	Inlet			28	Pipe for Desinfection	F 960 965 NU	1 pcs
15	Aerator M24x1 complete	F 961 124 AA	1 pcs				

Sensorflow Wave

Sensorflow Wave