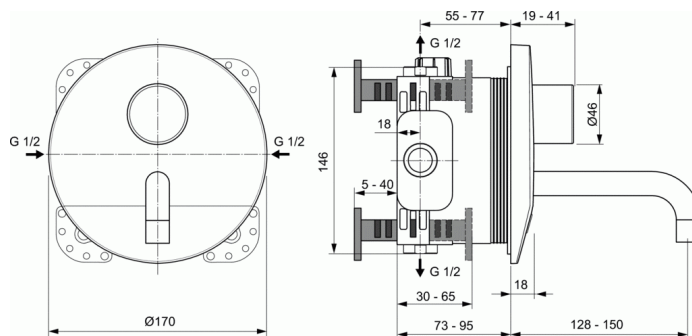


CERAPLUS

Built-in basin mixer with tubular spout 150 without handle, with mains supply



Built-in basin mixer with tubular spout 150 without handle, with mains supply

Temperature adjustment by specific tool
Kit 2 (mains)

Round metal escutcheon
Tubular spout 150 mm
Aerator Cache laminar 8 l/min
Additional key for Cache aerator
Thermostatic cartridge
Solenoid valve integrated in body
Multi functional built-in sensor
Transformer with mains connection (cable length 2 meter)
Integrated non-return valves and meshes

Product is only for use in high pressure systems (min. 0,5 bar)

To be used only in combination with: EASY-BOX A1000NU Kit 1 (internal part)

Not included: tool for thermal disinfection (A860888NU) - need to be ordered separately!

VARIANTS

Built-in basin mixer with tubular spout 150 with handle, A6147 with battery
Built-in basin mixer with tubular spout 150 with handle, A6148 with mains supply
Built-in basin mixer with tubular spout 150 without handle, with battery A6149
Built-in basin mixer with tubular spout 230 with handle, A6151 with battery
Built-in basin mixer with tubular spout 230 with handle, A6152 with mains supply

FINISHES*



AA

* AA = Chrome

CERAPLUS

Built-in basin mixer with tubular spout 150 without handle, with mains supply

Built-in basin mixer with tubular spout 230 without handle, with battery	A6153
Built-in basin mixer with tubular spout 230 without handle, with mains supply	A6154

REQUIRED

EASY-BOX universal built-in KIT1	A1000
----------------------------------	-------