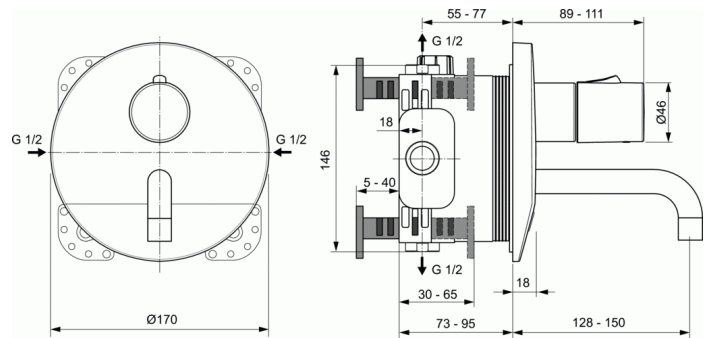


CERAPLUS

Built-in basin mixer with tubular spout 150 with handle, with battery



Built-in basin mixer with tubular spout 150 with handle, with battery

Temperature adjustment by handle
Kit 2 (battery)

Round metal escutcheon
Tubular spout 150 mm
Aerator Cache laminar 8 l/min
Additional key for Cache aerator
Temperature handle
Thermostatic cartridge
Solenoid valve integrated in body
Multi functional built-in sensor
Integrated battery holder including 6V Lithium battery
Battery accessible and replaceable from the front side
Integrated non-return valves and meshes

Product is only for use in high pressure systems (min. 0,5 bar)

To be used only in combination with: EASY-BOX A1000NU Kit 1 (internal part)

VARIANTS

Built-in basin mixer with tubular spout 150 with handle, A6148 with mains supply
Built-in basin mixer with tubular spout 150 without handle, with battery A6149
Built-in basin mixer with tubular spout 150 without handle, with mains supply A6150
Built-in basin mixer with tubular spout 230 with handle, A6151 with battery
Built-in basin mixer with tubular spout 230 with handle, A6152 with mains supply

FINISHES*



* AA = Chrome

CERAPLUS

Built-in basin mixer with tubular spout 150 with handle, with battery

Built-in basin mixer with tubular spout 230 without handle, with battery	A6153
--	-------

Built-in basin mixer with tubular spout 230 without handle, with mains supply	A6154
---	-------

REQUIRED

EASY-BOX universal built-in KIT1	A1000
----------------------------------	-------

RECOMMENDED

Extension kit	A960704
---------------	---------

Extension kit	A962476
---------------	---------