

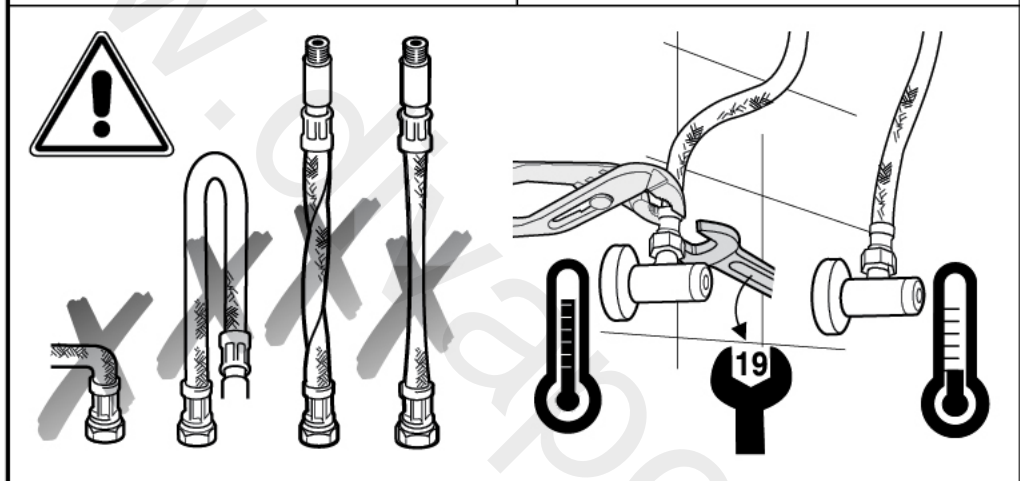
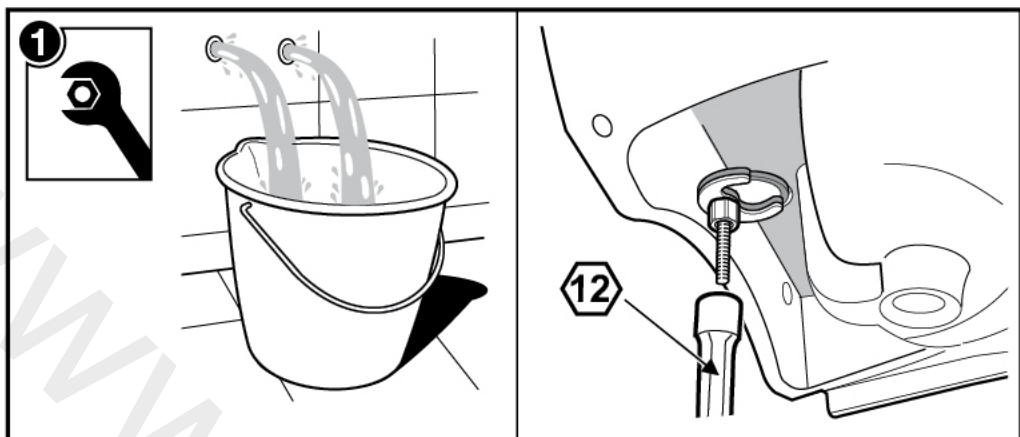















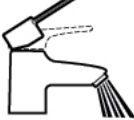

Roca

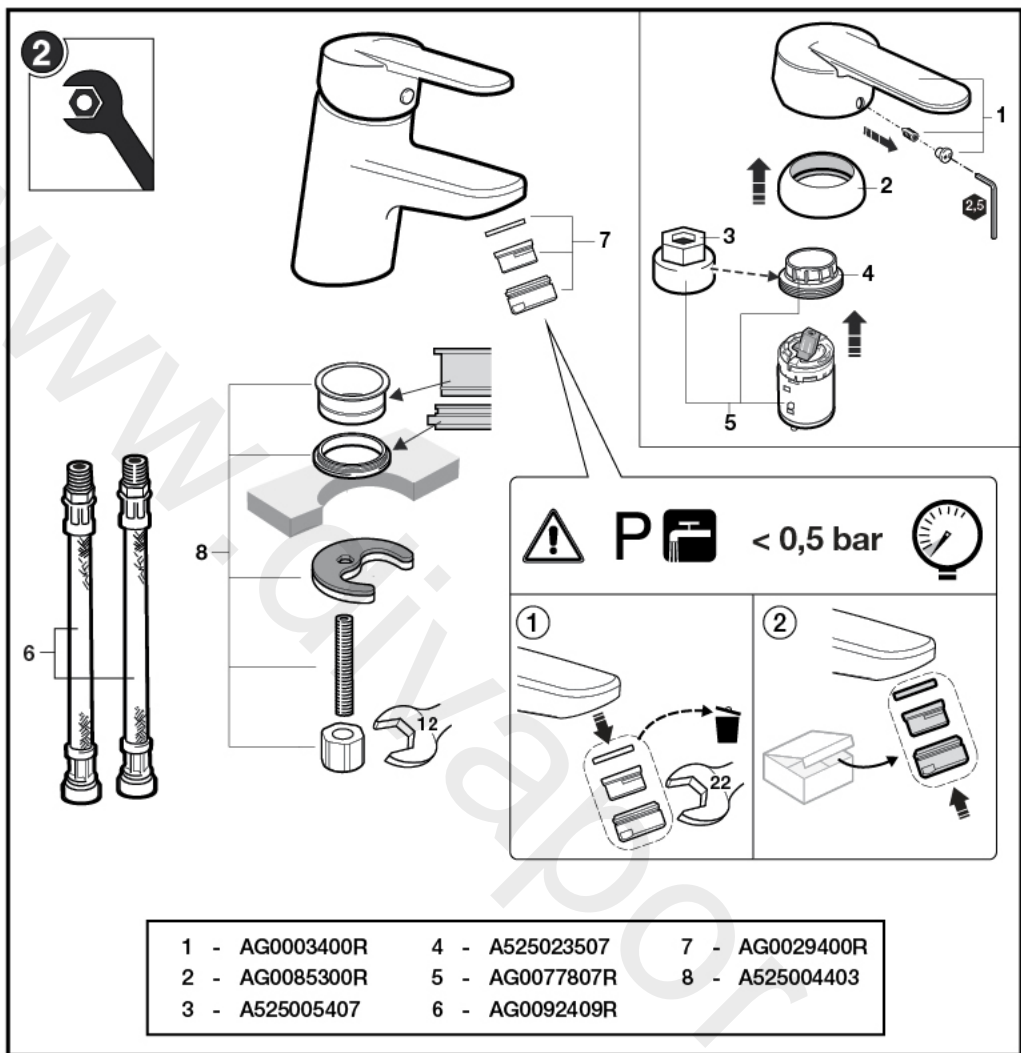
VICTORIA-N

A5A3225C0R





 P 	P bar	 MAX 10	
 P 	P bar	 5 MAX	3 2  
  T	°C	 80 MAX.	 65 50 
 Q (3 bar)	l/min	 12	



1 - AG0003400R

4 - A525023507

7 - AG0029400R

2 - AG0085300R

5 - AG0077807R

8 - A525004403

3 - A525005407

6 - AG0092409R

