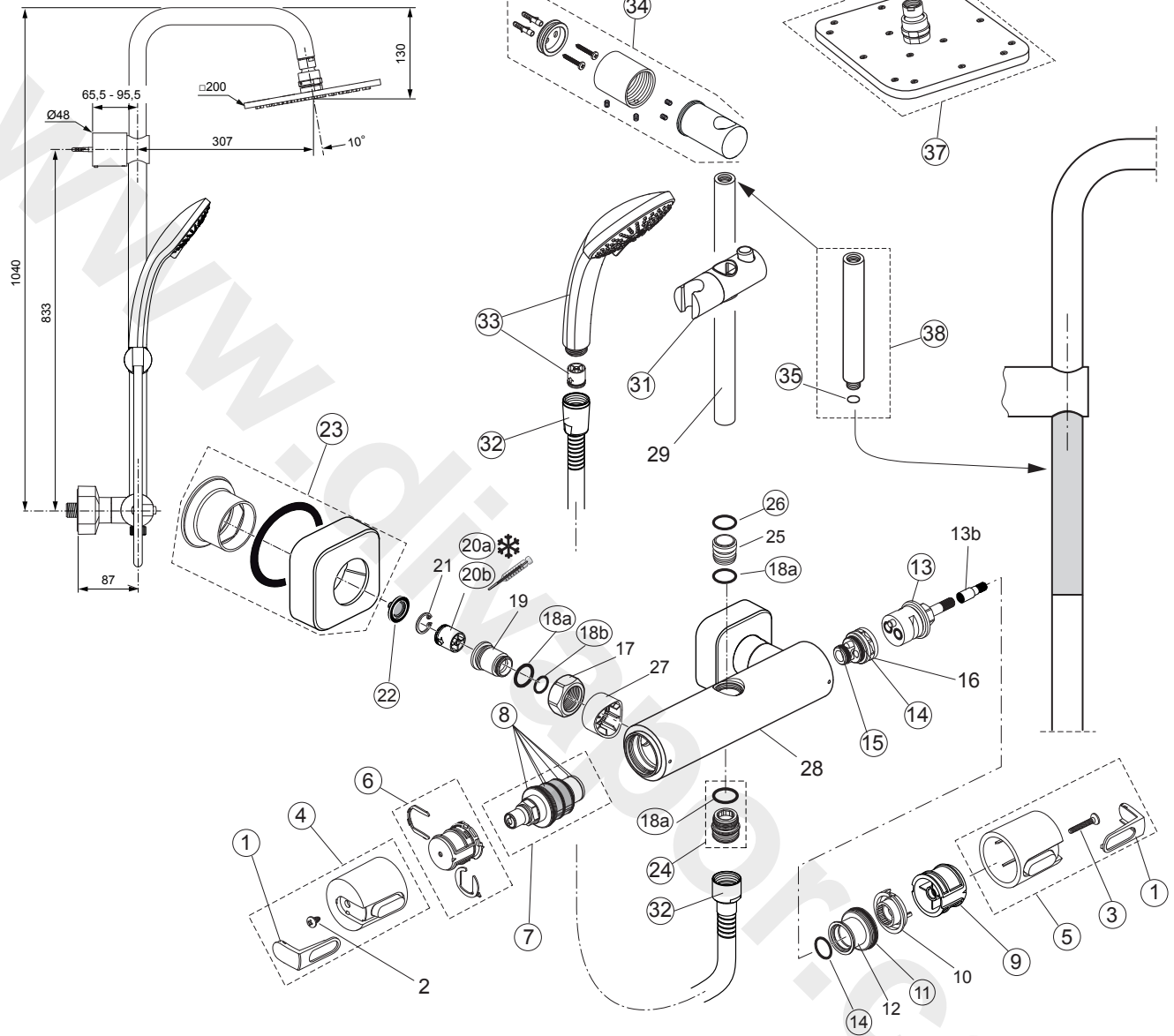


Idealrain Cube A5833..



Produced from: **Feb. 2018**

Shower Thermostat with diverter together with slide bar + Idealrain Cube handspray 100 - 3F and Rainshower 200mm - 12l/min. chrome **A5833AA**



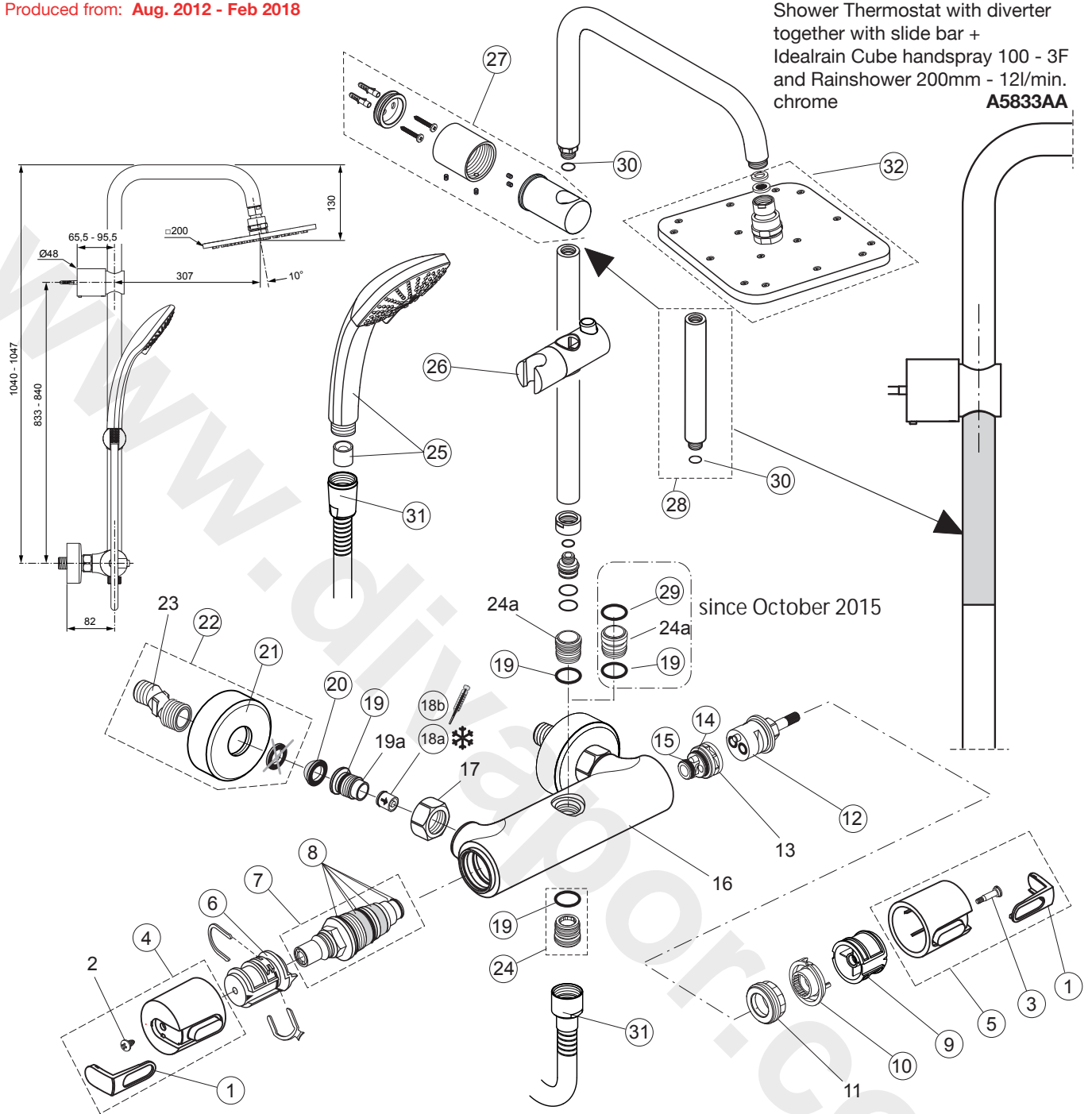
| Pos. | Description | Part-Number | Qty. | Pos. | Description | Part-Number | Qty. |
|------|---------------------------|----------------------|-------|------|---|---------------------|--------|
| 1 | Cap for handle | A 962 872 AA* | 1 Set | 19 | Seat M20x1 left thread | | |
| 2 | Screw Ejot PT KB50x10 | | | 20a | Non-return valve DW15 CWA 962 594 NU | | 2 pcs |
| 3 | Screw M4 L=40 | A 861 298 NU | 2 pcs | 20b | Non-return valve DW15 HWF 960 942 NU | | 1 pcs |
| 4 | Handle for Temperature | A 860 951 AA | 1 Set | 21 | Lock Ring | | |
| 5 | Handle for Volume control | A 861 296 AA | 1 Set | 22 | Strainer (screen) | A 962 595 NU | 2 pcs |
| 6 | Temp. adjustment cpl. | A 963 427 NU* | 1 Set | 23 | Escutcheon cpl. | F 960 877 AA | 2 Set. |
| 7 | Thermostatic Cartridge | A 962 229 NU | 1 Set | 24 | Nipple G1/2 outside cpl. | A 963 651 NU | 1 pcs |
| 8 | Repair-Set Cartridge | A 962 230 NU | 1 Set | 25 | Connector nipple shower bar | | |
| 9 | Handle insert (Set) | A 963 432 NU | 1 Set | 26 | O - ring Ø 18,7 x 2,6 | A 860 933 NU | 1 Set |
| 10 | Volume control stop ring | A 962 563 NU | 1 pcs | 27 | Escutcheon | | |
| 11 | O - ring Ø 18 x 2 | A 963 299 NU | 1 Set | 28 | Body | | |
| 12 | Thread ring M34 x 1,5 | | | 29 | Pipe | | |
| 13a | Stop valve with diverter | A 962 568 NU | 1 pcs | 31 | Slider & holder f. handshr. | A 860 807 AA | 1 Set |
| 13b | Extension | | | 32 | Shower hose 1750 mm | A 4109 AA | 1 pcs |
| 14 | O - ring Ø 18,77 x 1,78 | A 962 529 NU | 1 pcs | 33 | Handspray | B 0003 AA | 1 pcs |
| 15 | O - ring Ø 12,42 x 1,78 | A 961 332 NU | 2 pcs | 34 | Wall fixation complete | F 960 891 AA | 1 Set |
| 16 | Manifold diverter | | | 35 | O - Ring Ø 13 x 2 | F 961 042 NU | 1 Set |
| 17 | Coupling nut G3/4 | | | 36 | Pipe (bend) | | |
| 18a | O - ring Ø 17 x 2 | A 961 810 NU | 2 pcs | 37 | Headshower cpl. | B 0024 AA | 1 Set |
| 18b | O - ring Ø 14 x 1,78 | F 960 894 NU | 2 pcs | 38 | Extension kit 150mm long | A 860 873 AA | 1 pcs |

Idealrain Cube A5833..



Produced from: Aug. 2012 - Feb 2018

Shower Thermostat with diverter together with slide bar + Idealrain Cube handspray 100 - 3F and Rainshower 200mm - 12l/min. chrome **A5833AA**



| Pos. | Description | Part-Number | Qty. | Pos. | Description | Part-Number | Qty. |
|------|---------------------------------------|----------------------|-------|------|-----------------------------------|-----------------------|-------|
| 1 | Cap for handle with and with out Logo | A 962 872 AA* | 1 Set | 18b | Non-return valve DW15 HWF | 960 942 NU*** | 1 pcs |
| 2 | Screw Eجت PT KB50x10 | | | 19 | O - ring Ø 17 x 2 | A 961 810 NU | 2 pcs |
| 3 | Screw M4 L=23,5 | A 962 998 NU | 2 pcs | 19a | Seat M20x1 left thread | | |
| 4 | Handle for Temperature | A 962 870 AA | 1 pcs | 20 | Strainer (screen) | A 962 595 NU | 2 pcs |
| 5 | Handle for Volume control | A 962 871 AA | 1 pcs | 21 | Escutcheon | B 960 242 AA | 1 pcs |
| 6 | Temp. adjustment compl. | A 963 427 NU* | 1 Set | 22 | S-Connector complete | A 961 073 AA | 2 pcs |
| 7 | Thermostatic Cartridge | A 962 229 NU | 1 pcs | 23 | S-Connector with low noise insert | | |
| 8 | Repair-Set Cartridge | A 962 230 NU | 1 Set | 24 | Nipple G1/2 outside compl. | A 963 651 NU | 1 pcs |
| 9 | Handle insert (Set) | A 963 432 NU | 1 Set | 24a | Connector nipple shower bar | | |
| 10 | Volume control stop ring | A 962 563 NU | 1 pcs | 25 | Handspray Ø100-3F-8l/min | B 0003 AA | 1 pcs |
| 11 | Thread ring M34 x 1,5 | | | 26 | Slider & holder f. handshr. | A 860 807 AA | 1 pcs |
| 12 | Stop valve with diverter | A 962 568 NU | 1 pcs | 27 | Wall fixation complete | F 960 891 AA | 1 pcs |
| 13 | Manifold diverter | | | 28 | Extension kit 150mm long | A 860 873 AA | 1 pcs |
| 14 | O - ring Ø 18,77 x 1,78 | A 962 529 NU | 1 pcs | 29 | O - Ring Ø 18,6 x 2,6 | A 860 933 NU** | 1 pcs |
| 15 | O - ring Ø 12,42 x 1,78 | A 961 332 NU | 2 pcs | 30 | O - ring Ø 13 x 1,5 | A 961 330 AA | 1 pcs |
| 16 | Body for Shower | | | 31 | shower hose 1750mm | A 4109 AA | 1 pcs |
| 17 | Coupling nut G3/4 | | | 32 | Headshower 200mm | B 0024 AA | 1 pcs |
| 18a | Non-return valve DW15 CWA | 962 594 NU | 2 pcs | | | | |

*Universal-Set / **since Oct. 2015 / *** since Mar. 2016