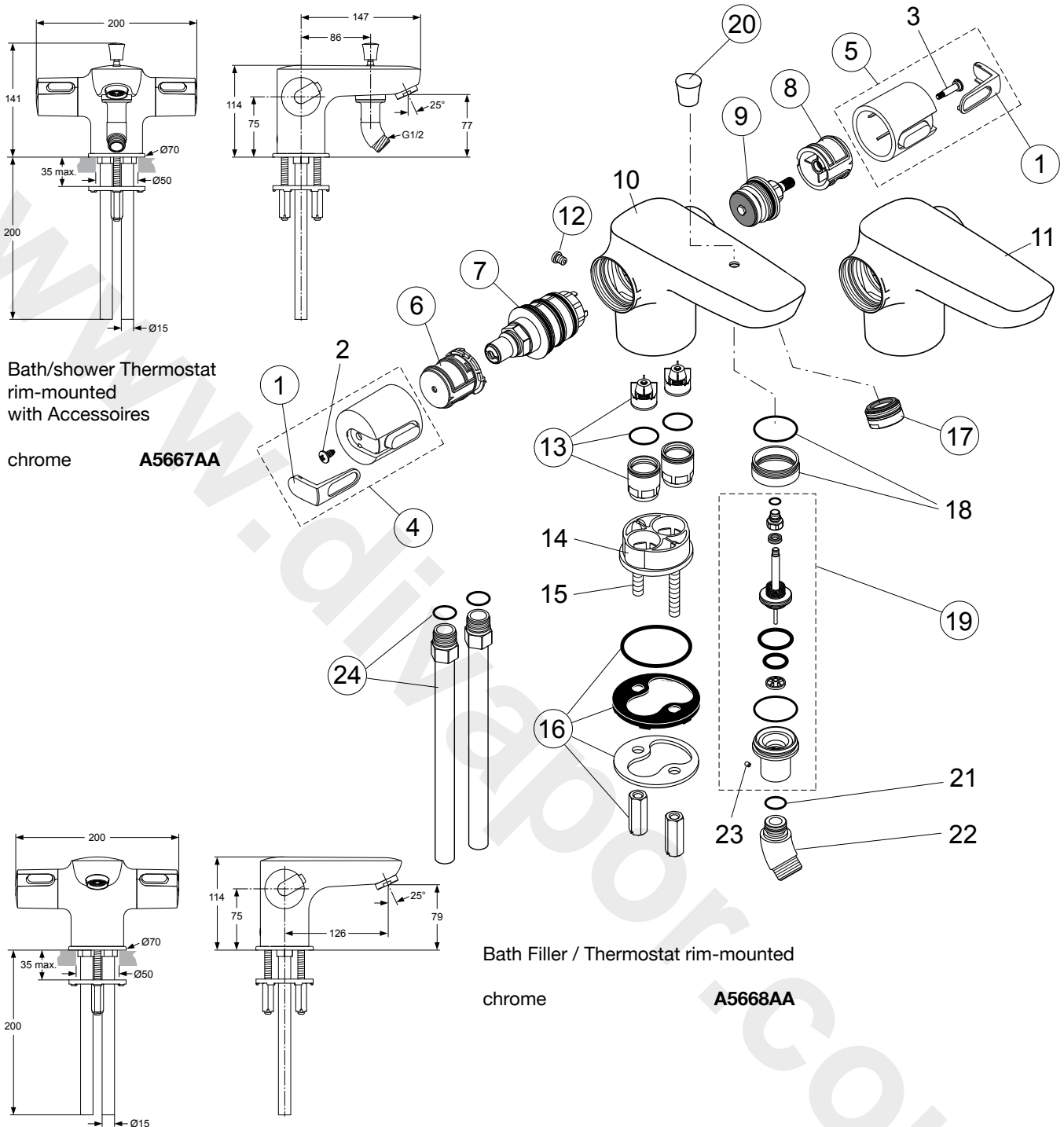


Produced from: March 2011



Bath/shower Thermostat
rim-mounted
with Accessoires

chrome **A5667AA**

Bath Filler / Thermostat rim-mounted

chrome

A5668AA

| Pos. | Description | Part-Number | Qty. | Pos. | Description | Part-Number | Qty. |
|------|----------------------------|---------------------|-------|------|---|---------------------|-------|
| 1 | Cap for handle with logo | A 962 872 AA | 1 Set | 15 | Bold M8 x 56 | | |
| | Cap for handle w/o logo | A 962 872 AA | 1 Set | 16 | Fixation kit | A 960 205 NU | 1 Set |
| 2 | Screw Ejot-PT KB50x10 | | | 17 | Flow straightener M28x1 | A 961 132 AA | 1 pcs |
| 3 | Screw M4 L=23,5 | A 962 998 NU | 1 pcs | 18 | Distance ring for diverter with O-ring Ø 31,47 x 1,78 | | |
| 4 | Temperature handle cpl. | A 962 870 AA | 1 pcs | | O - ring Ø 31,47 x 1,78 | A 963 154 NU | 1 pcs |
| 5 | Volume control handle cpl. | A 962 950 AA | 1 pcs | 19 | Diverter Inner parts cpl. | A 963 850 AA | 1 Set |
| 6 | Temp. adjustment compl. | A 963 427 NU | 1 Set | 20 | Pull knob | B 960 514 AA | 1 pcs |
| 7 | Thermostat Cartridge G3/4 | A 963 793 NU | 1 pcs | 21 | O - Ring Ø14 x 1,78 | | |
| 8 | Handle insert | A 963 432 NU | 1 Set | 22 | Elbow for shower hose | | |
| 9 | Headwork G1 (Rubber) | A 963 808 NU | 1 pcs | 23 | Thread pin M3x4 DIN 913 | | |
| 10 | Body (Bath/shower) | | | 24 | Cu - pipe Ø15 with o-ring | A 960 133 NU | 1 pcs |
| 11 | Body (Bath filler) | | | | Flex. hose G1/2 x 1800mm | A 963 173 NU | 1 pcs |
| 12 | Fixation screw M6 | A 860 683 AA | 1 pcs | | Shower station (wall holder) | | |
| 13 | None-return valve NV20 | A 963 845 NU | 1 Set | | Handspray | | |
| 14 | Base water giant | | | | | | |