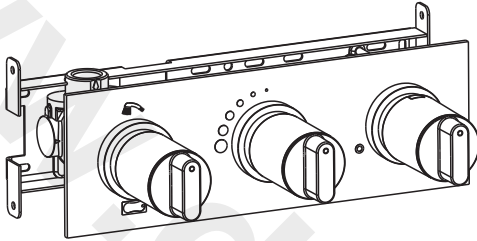
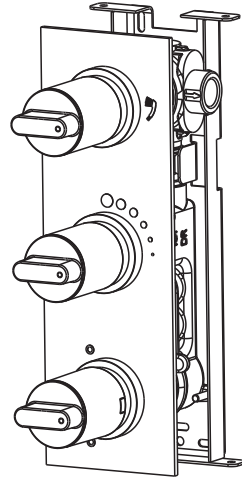


# Installation Instructions

## MOMENTS BUILT-IN THERMOSTATIC MIXING VALVES WITH INTEGRAL DIVERTER

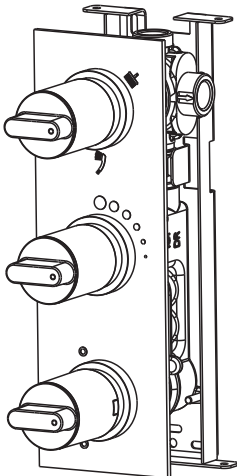


mounted horizontally

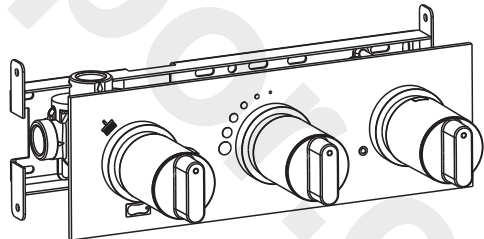


mounted vertically

**A5597AA Moments 3-Control Built-in Thermostatic Bath Shower Mixer with 2-way diverter**



mounted vertically



mounted horizontally

**A5598AA Moments 3-Control Built-in Thermostatic Bath Shower Mixer with 3-way diverter**

### **INSTALLER:**

*It is essential to flush the system as described in section 7  
After installation please pass this instruction booklet to the user*

**The fittings covered by these instructions should be installed in accordance with the Water Regulations published in 1999\*.**  
**Ideal Standard strongly recommends that these fittings are installed by a professional fitter.**

\*A guide to the Water Supply (Water Fittings) Regulations 1999 and the Water Byelaws 2000, Scotland is published by WRAS (Water Regulations Advisory Scheme) Fern Close, Pen-y-Fan Industrial Estate, Oakdale, Newport, NP11 3EH. ISBN 0-9539708-0-9

# 1 RANGE

This instruction sheet describes the installation of:

A5597AA Moments 3-Control Built-in Bath Shower Mixer with Integral 2-way Diverter.

A5598AA Moments 3-Control Built-in Bath Shower Mixer with Integral 3-way Diverter.

The three controls allow the user to adjust temperature, flow and divert the mixed water to the selected outlet device. The 2-way valve diverts between bath and shower and 3-way diverts between overhead shower, shower handset and bath fill.

The valve body must be fitted before installing the trim kit.

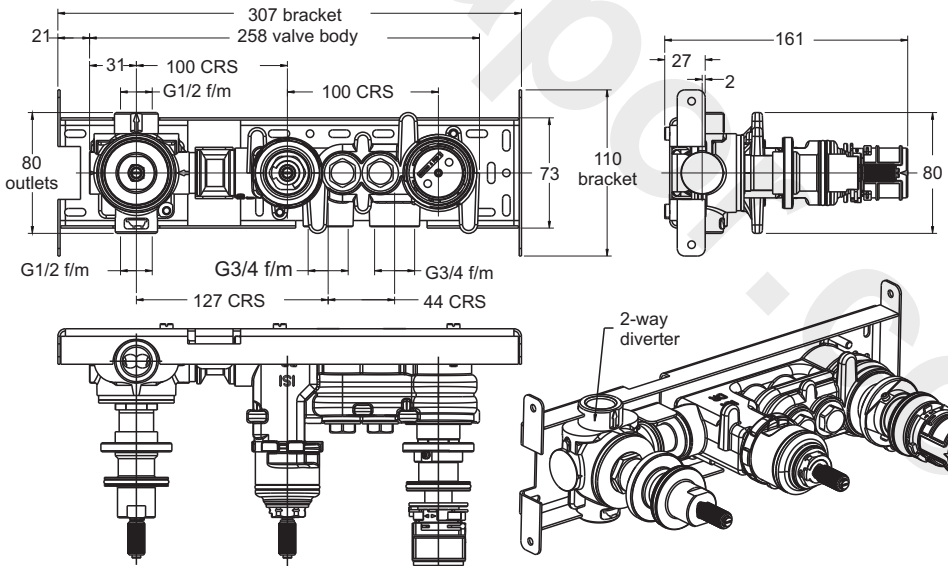
# 2 PRE-INSTALLATION NOTES

The thermostatic valve described in this instruction is designed primarily for installation into a pre-fabricated "pod" style bathroom. The valve can easily be mounted from the rear of the pod wall during pod construction. This simplifies plumbing. The trim kit can then be fitted from the front (inside the pod) after tiling. These valves can also be installed into timber stud construction walls, method is discussed in section 5B.

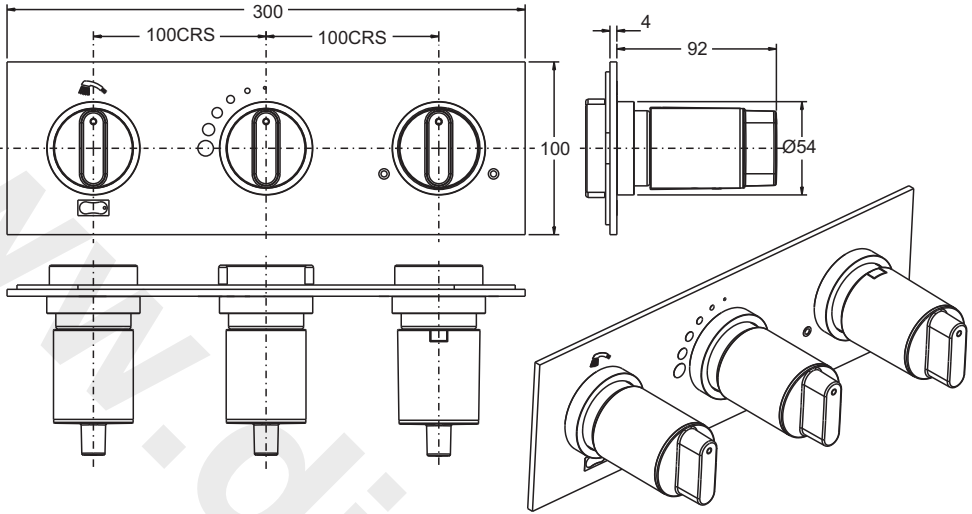
The valve can be mounted either horizontally or vertically. For horizontal mounting keep the diverter end to the left, for vertical mounting keep the diverter end to the top. Otherwise the symbols on the escutcheon plate will be orientated incorrectly.

The mounting bracket is designed to bridge over two members of the pods steel framework spaced 260mm apart (vertical or horizontal). It is important to cut the correct size of slot into the plaster board to allow future maintenance of the valve cartridges.

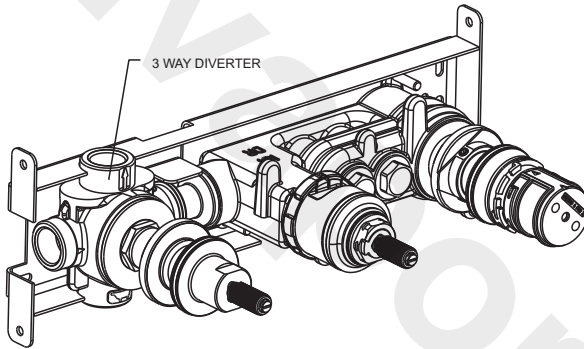
# 3 DIMENSIONS



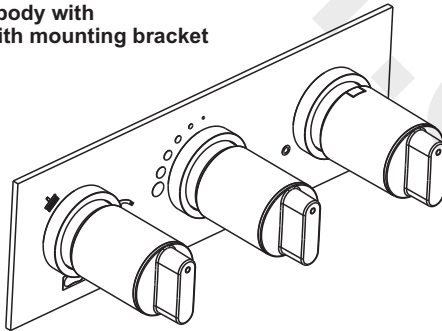
**Figure 1 Thermostatic Mixer Valve body with 2-Way Diverter complete with mounting bracket**



**Figure 2 Trim Kit for Thermostatic Mixer with 2-Way Diverter**

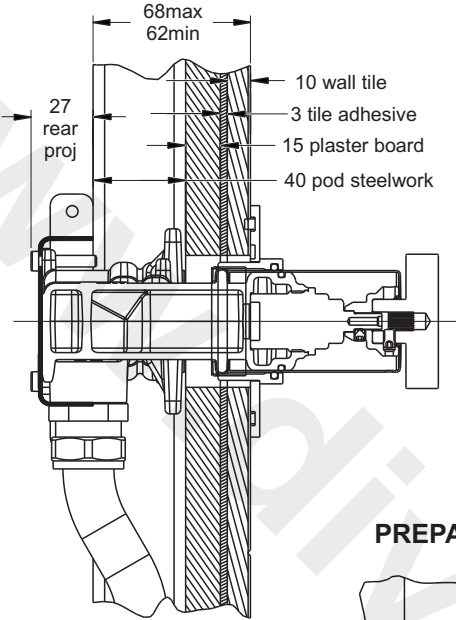


**Figure 3 Thermostatic Mixer Valve body with 3-Way Diverter complete with mounting bracket**



**Figure 4 Trim Kit for Thermostatic Mixer with 3-Way Diverter**

## 4 INSTALLATION OVERVIEW



**Figure 5** Section through typical pod wall

Two  $\text{Ø}57$  holes can be cut into the plaster board at 200 horizontal (or vertical) centres, and then slotted-out as shown. A correctly sized slot in the pod wall plaster board will permit access to the valve cartridges for future maintenance.

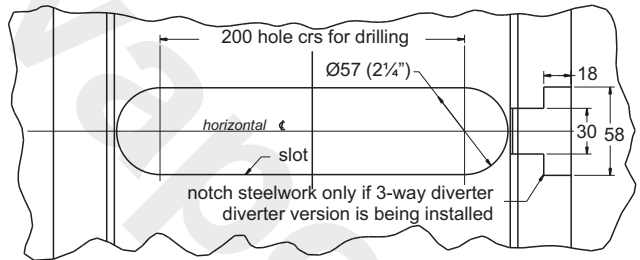
For product which has a 3-way diverter, it will be necessary to make a cut-out in the steel framework for connecting pipe work. This is not required for the product with a 2-way diverter.

These products are intended to be installed primarily onto a pod wall. Typical pod wall construction is shown here. When using this "bridging" installation method, the pod wall thickness should be in the range 62 to 68mm.

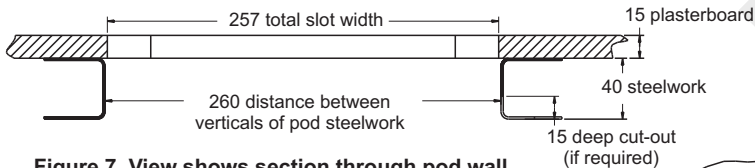
Once mounted onto the steel frame work, the valve will project 27mm out from the back of the pod wall.

The mounting bracket is designed to bridge over two members of the pod's steel framework. The distance between these members should be 260mm.

### PREPARATION

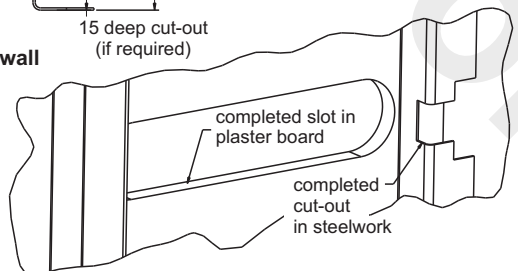


**Figure 6** Recommended dimensions for slot in pod wall (plasterboard)



**Figure 7** View shows section through pod wall

**Figure 8** Rear view of prepared pod wall



## 5a MOUNTING VALVE INTO POD WALL

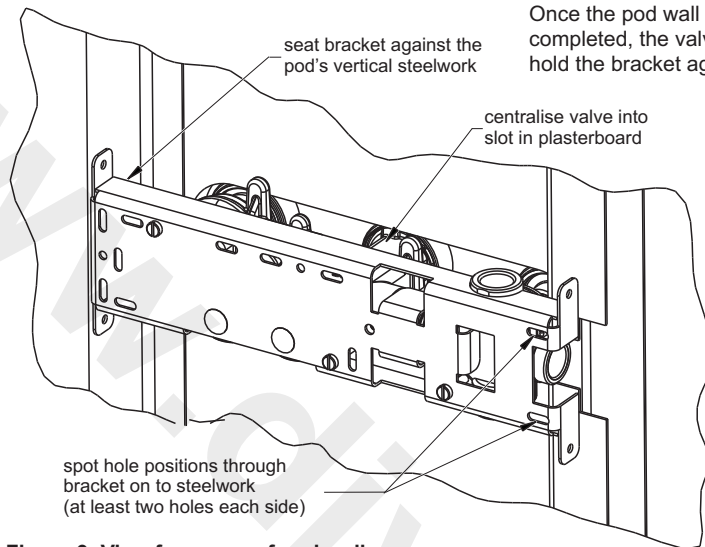


Figure 9 View from rear of pod wall

Once the pod wall preparation has been completed, the valve can be mounted. Firmly hold the bracket against the back of the pod framework and spot through suitable hole positions. The valve should be kept central in the plasterboard slot & horizontal. The slots in the mounting bracket are elongated and will allow some adjustment. The mounting bracket should be securely fixed to the pod framework, using at least 4 suitable bolts or screws.

A spirit level can be used on the top surface of the bracket to achieve an accurate horizontal level.

NOTE: The valve can be mounted either horizontally or vertically.

## 5b MOUNTING VALVE INTO TIMBER STUD WALL

### PRE-INSTALLATION NOTES

These mixing valves can be installed into a timber stud construction wall. Two methods of installation are detailed in this section. The first method shows how the mounting bracket can be secured to the timber studs (verticals) and the second method shows the bracket being fixed to a timber noggin (horizontal).

The mounting bracket is very versatile permitting the multiple fixation options. The bracket can be secured from in-front of the wall or from behind.

Installation will be easier if the valve can be fitted before the plaster board is fastened to the timber framework. Pipe runs to and from the valve will also be easier to plumb. However, for retrofit fit applications, an area of plaster board approximately 400x400 should be cut away and then replaced after installation. This is necessary to facilitate pipe connections.

These mixing valves can be mounted vertically or horizontally, *see note in sect.2.*

As with most appliances installed into a stud wall, the framework will need to be adjusted to provide a means of fastening and supporting the appliance.

### TIMBER STUD WALL CONSTRUCTION

Framework is normally constructed using 75x50 (3"x2") rough sawn timbers, for larger walls 100x50 (4"x2") can be used. Stud centres spacing of 400 is used here in discussion. Note that 450 and 600 centres are also commonly used -this usually depends on the plaster board size being used. Plaster board thickness of 12.5 (1/2") is generally recommended.

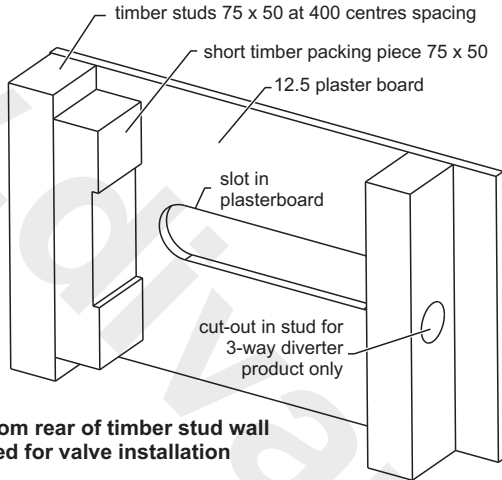
## METHOD A: FIXATION TO STUDS

This method is suitable for frameworks constructed with either 75x50 studs or 100x50 studs.

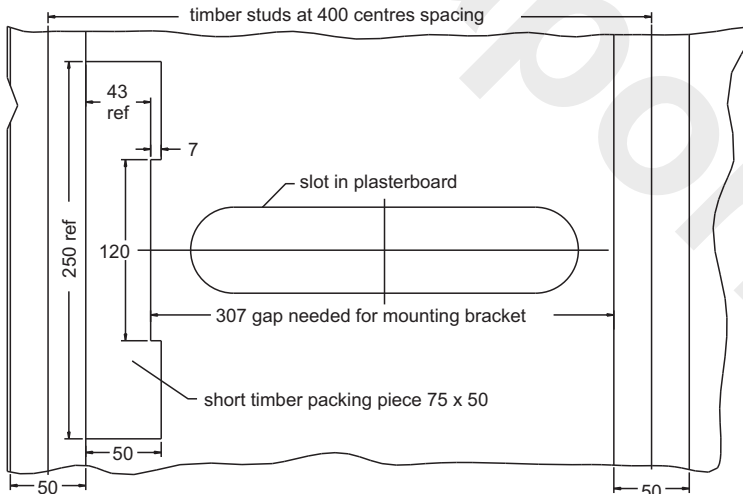
Consider and decide on the desired mounting position of the valve. If this position does not fall between two studs, the framework will need to be adjusted. The bracket requires a gap between the studs of 307.

Assuming the mounting position falls between two studs at 400 centres, then a timber packing block should be fastened to one stud, as shown in fig 10. The packing block should be trimmed to provide a mounting gap of 307.

If installing product with 3-way diverter, one stud should be drilled out (as shown) to allow pipe connection.



**Figure 10 View from rear of timber stud wall prepared for valve installation**



**Figure 11 View from rear of timber stud wall showing dimensions**

If plaster board is fastened to the front of the wall, then it can be slotted out as detailed in fig.6 in sect.4.

Ensure slot is correctly aligned either horizontally (as shown) or vertically.

Alternatively, the plaster board can be slotted when it is being fastened to the framework (after the valve has been mounted)

The valve can now be fastened to the framework using 4 suitable wood screws.

Use a spirit level along the top edge of the valve to ensure it is correctly aligned.

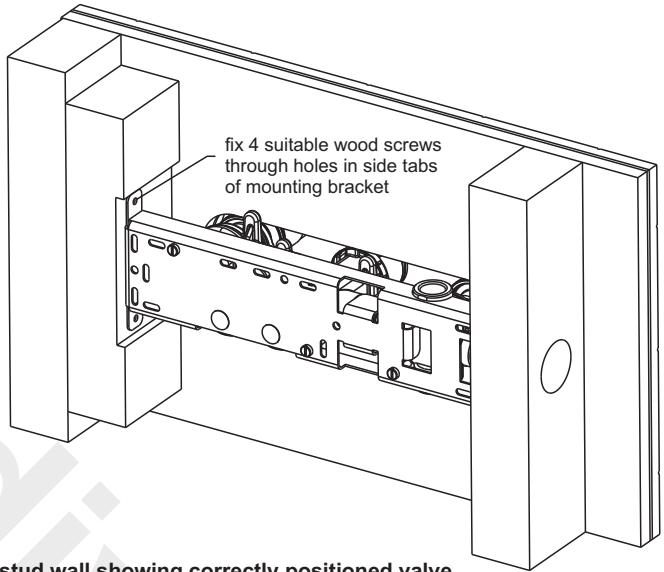
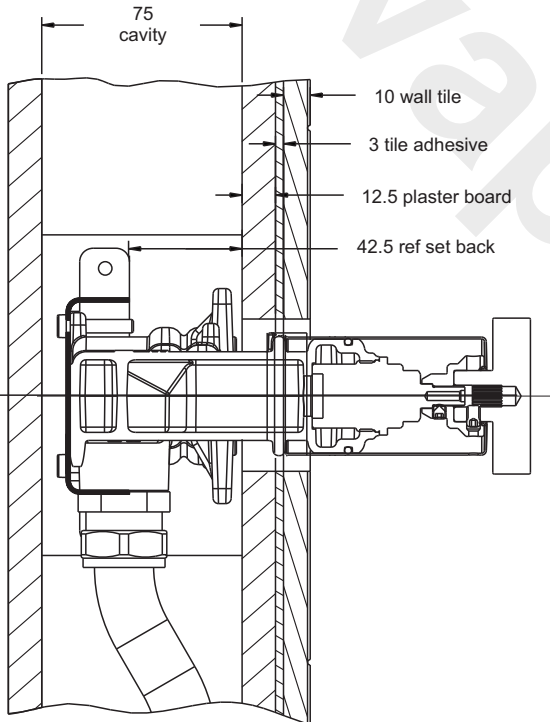


Figure 12 View from rear of stud wall showing correctly positioned valve



The exact mounting depth is dependent on the thickness of plaster board and tiles being used. The 42.5 dimension is given here as a guideline only.

Continue with the installation using sect.6 -plumbing.

Figure 13 Section through timber stud wall

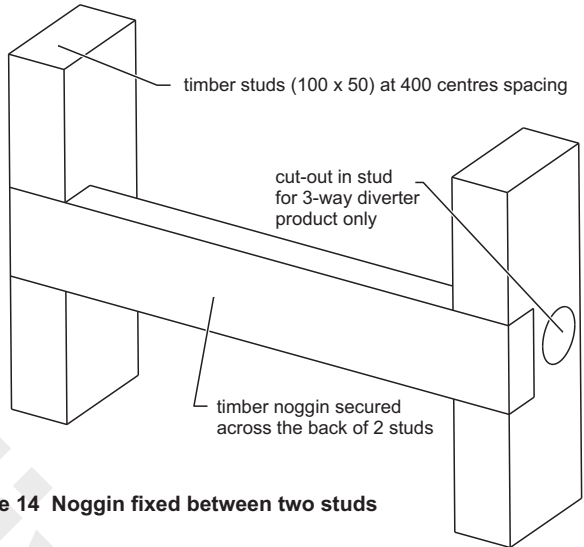
## METHOD B: FIXATION TO NOGGIN

This method is more suited to a timber stud wall constructed using 100x50 studs.

Consider and decide on the desired mounting position of the valve.

Assuming the mounting position falls between two studs at 400 centres, then a noggin should be fastened across the back of two studs, as shown in fig 14.

If installing product with 3-way diverter, one stud should be drilled out (as shown) to allow pipe connection.

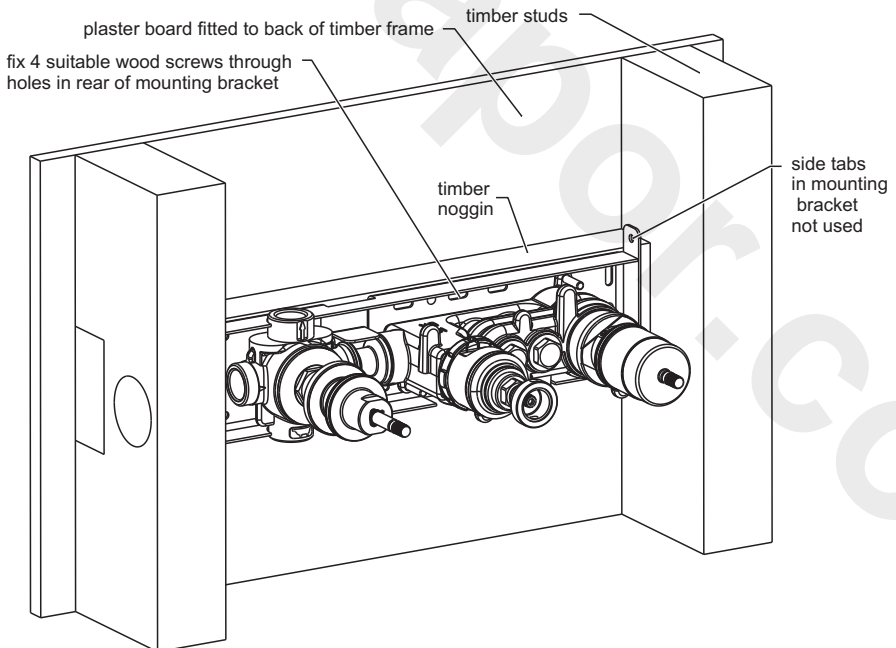


**Figure 14 Noggin fixed between two studs**

The valve can now be fastened to the noggin using 4 suitable wood screws.

Use the slotted holes in the back face of the bracket; these are elongated to provide adjustment for aligning.

Use a spirit level along the top edge of the valve to ensure it is correctly aligned.

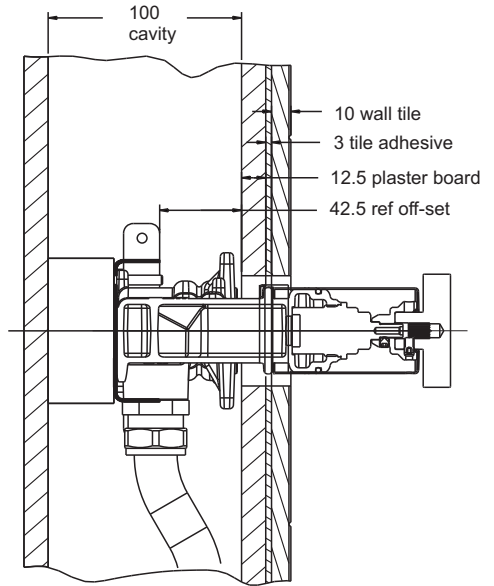


**Figure 15 View from front of timber stud wall showing correctly positioned valve (Silver version of valve shown)**

The front plaster board can be slotted when it is being fastened to the framework (*after the valve has been mounted*). See details in fig.6 in sect.4.

The exact mounting depth is dependent on the thickness of plaster board and tiles being used. The 42.5 dimension is given here as a guideline only.

Continue with the installation using sect.6 - plumbing.



**Fig 16** Section through timber stud wall

## 6 PLUMBING

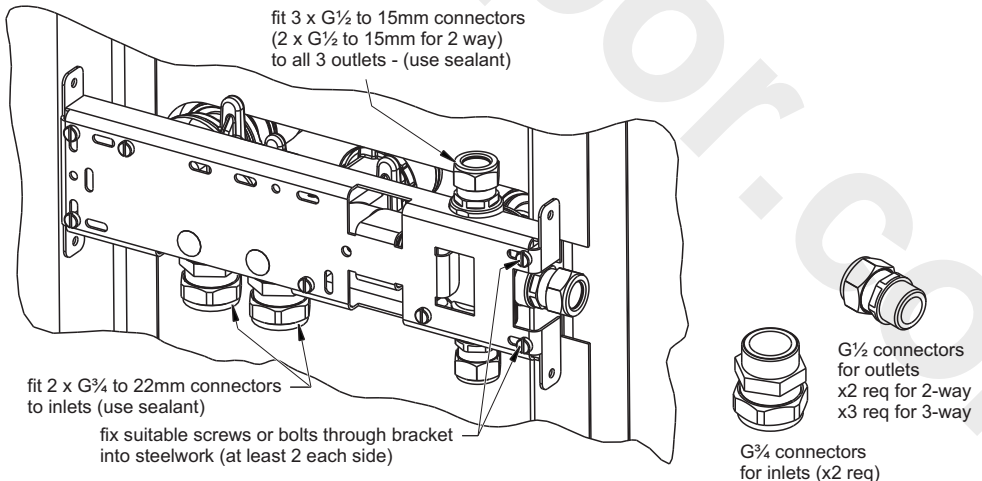
Screw suitable connectors into the valve as shown above. Use a WRAS approved thread sealant, for example: Loctite 577 or Permabond A1044. Connectors as shown below are typically used for connecting 15mm and 22mm copper pipes.

For maximum flow performance, run Ø22mm supply pipes to the valve.

DO NOT use solder joints near the valve as this will cause damage.

Easily accessible isolation valves should be fitted to the supply pipes to facilitate future maintenance.

Alternatively, if the installer desires, push-fit connectors can be used with plastic pipes.



**Figure 17** View from rear of pod wall with connectors fitted

available from all good plumbers  
merchants (not supplied)

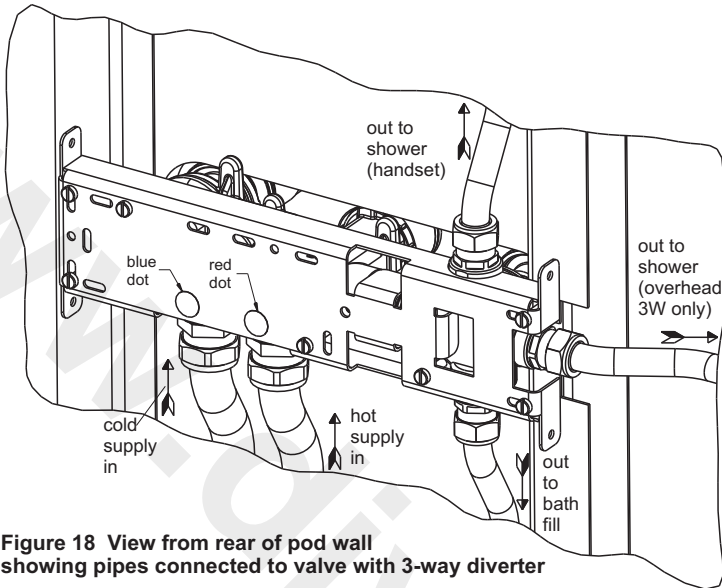


Figure 18 View from rear of pod wall showing pipes connected to valve with 3-way diverter

Pipe work connections should be made as shown. Red and blue dots on the bracket indicate hot and cold supply connections respectively. The outlets can be plumbed as shown. There will be either 2 or 3 outlets depending on the product being installed (2 or 3 way diverter). This completes the installation from the rear of the pod wall.

**Test all connections for leaks at this stage**

## 7 FLUSHING

**The pipe work and valve body must now be flushed out otherwise the thermostatic cartridge filters could become blocked resulting in reduced or erratic performance.**

To do this, remove the check valve housing from the hot side using a 17mm *a/n* socket. Place a suitable empty vessel under the product to collect discharging water. Gently turn on the hot supply until all debris has been purged from the system then replace the check valve. Repeat the procedure for the cold side check valve. After flushing, if in-line strainers have been fitted, check and clean the strainer elements.

## 8 CHECK VALVES

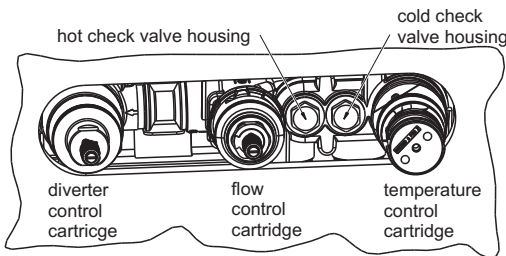


Figure 19 Completed built-in valve installation - viewed from inside pod - ready for fitting trim kit (after tiling wall)

This mixer is fitted with integral check valves which are essential to compliance with water regulations. To protect these from water borne debris it is strongly advised that the inlet supply pipes be fitted with in-line strainers. Should it become necessary to clean debris out of the check valve, care must be taken to ensure the delicate mechanism is not damaged during the process. The check valve housings are not interchangeable and must be re-installed in the same position from which they were removed.

It is important to connect the hot and cold supplies the right way round otherwise the valve will not function correctly. However, if the connections have been made the wrong way round the situation may be remedied by transposing the check valve housings.

## 9 INSTALLATION OF TRIM KIT

Once the valve installation has been completed and flushed, the trim kit can be installed from the front (inside the pod). The pod walls should be in a finished state (lined with ceramic tiles or similar) before fitting the trim kit. The same method is applicable to valves installed into timber stud walls.

The wall tiles should be carefully trimmed to match the slot cut into the plaster board of the pod wall. A correctly sized slot cut into the pod wall plaster board will permit access to the valve cartridges for future maintenance.

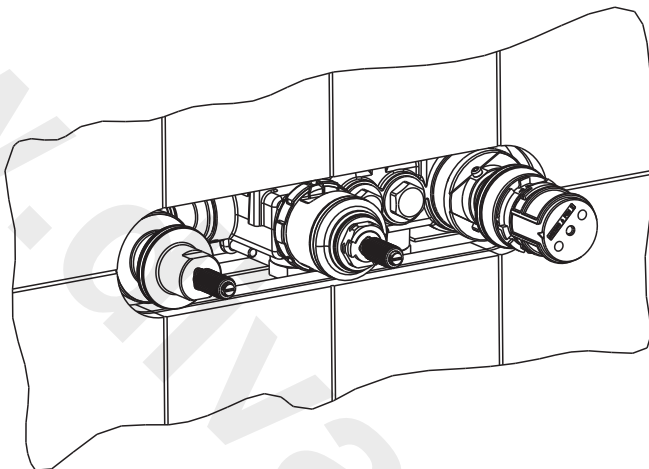


Figure 20 View of valve from inside of pod with wall tiled

## 10 FITTING THE SHROUDS

To install the trim kit, start by sliding the 3 shrouds onto the 3 projecting diameters of the valve body. The o-rings fitted onto the valve will offer some resistance, so push shrouds firmly until they stop. The shrouds are flared at one end to provide a leading chamfer to assist assembly onto the o-rings. Orientate the flared ends of the shrouds towards the valve body. If necessary the o-rings may be lubricated with water containing a little washing up liquid.

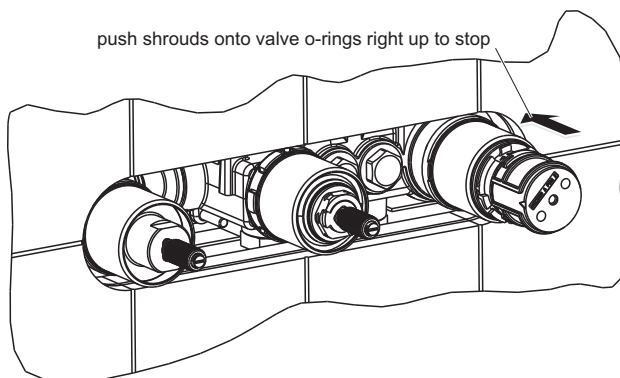
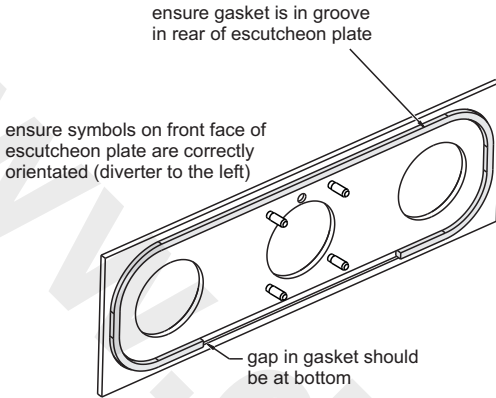


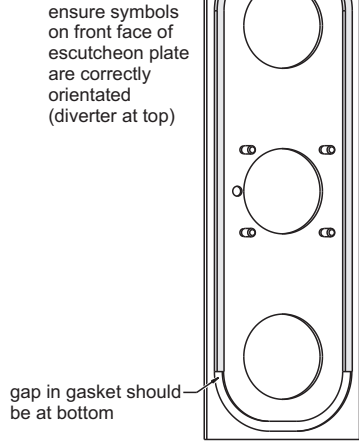
Figure 21 View of valve from inside of pod with shrouds fitted

# 11

## ESCUTCHEON PLATE



**Figure 22 Escutcheon Plate (horizontal mounting)**



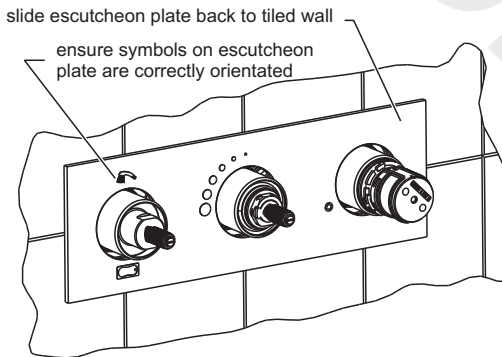
**Figure 23 Escutcheon Plate (vertical mounting)**

Remove the backing tape from the self-adhesive foam gasket. Carefully fit this gasket into the groove at the rear of the escutcheon plate. The gasket is intentionally shorter than the groove perimeter to allow any trapped water to escape. Therefore, the gap in the gasket should always be kept at the bottom edge of the plate.

*Where valve is being mounted vertically, the gap will be along the bottom short edge (remember to keep diverter symbols at top).*

Slide the escutcheon plate over the 3 shrouds, back to the tiled wall. Taking care not to damage the chromed surfaces, and ensure the plate is orientated correctly.

Hold plate in position, and slide the 3 grip rings over the shrouds. Screw the grip rings onto the valve body as detailed in the next section.



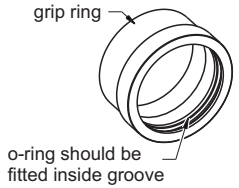
**Figure 24 View of valve from inside of pod with escutcheon fitted**

## 12 GRIP RING

Each grip ring should be fitted with an internal o-ring.

The o-ring inside the grip ring will rub on the shroud during assembly (if necessary the o-rings may be lubricated with water containing a little washing up liquid). Once in position, they will prevent water ingress.

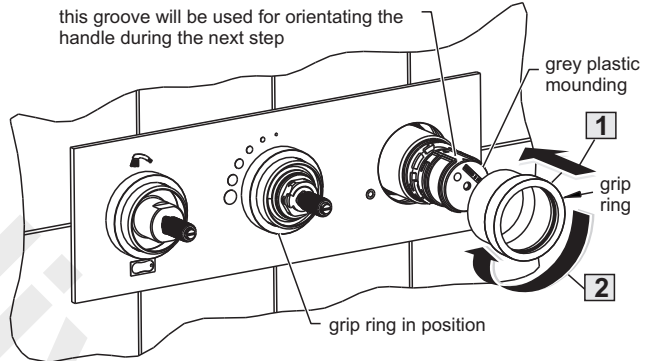
The smaller diameter of the grip ring will pass through the escutcheon plate and the larger diameter will shoulder against it.



**Figure 25 Grip ring**

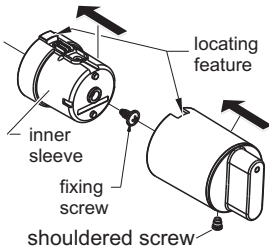
Each grip ring should be firmly hand tightened down to the escutcheon plate. The grip rings will push the escutcheon plate against the wall and compress the foam gasket in the process, making a water tight seal.

All three grip rings should be kept level to apply even pressure onto the gasket.



**Figure 26 View of valve from inside of pod - grip rings being fitted**

## 13 FITTING THE HANDLES

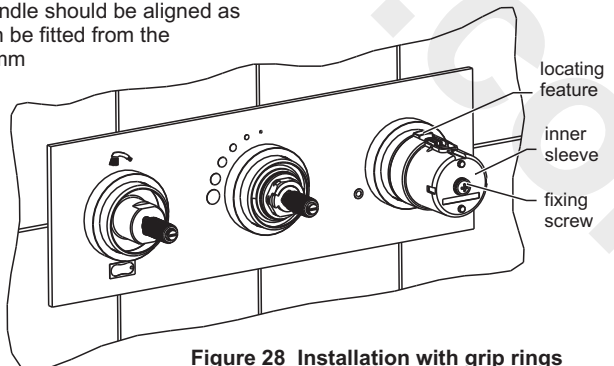


**Figure 27 Handle detail**

Next step is to fit the temperature control handle. This handle differs from the other two handles in the trim kit as it is constructed in two pieces, the inner sleeve being able to slide away from the outer handle body. Locate the inner sleeve into the groove in the grey plastic moulding attached to the right hand side control on the valve (see fig.26).

Slide the inner sleeve (fig.27) along the grey plastic moulding until it stops, then fix it in place using the self tapping screw provided. The outer handle can now be slid over the inner sleeve.

The locating feature (fig.27) on this handle should be aligned as shown. The M5 shouldered screw can be fitted from the underside of the handle using the 2.5mm Allen key supplied. This will lock the two piece handle to the valve.



**Figure 28 Installation with grip rings and inner sleeve fitted.**

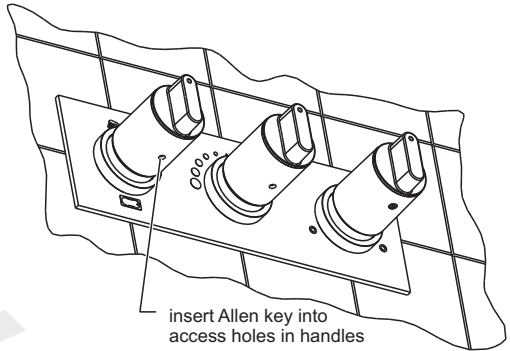
The remaining two handles are identical. They should have an M5 grub screw fitted inside. DO NOT screw the grub screw in too far as it will foul with the drive spindle during installation. The handles also have an internal spline drive.

They are fixed to the centre and left-hand controls in the same way. Slide the handles onto the spindle spline drive. Use the handles to turn the spindles fully anti-clockwise. If necessary, pull the handles off the spindle and re-position it so that the positional indicator is parked correctly

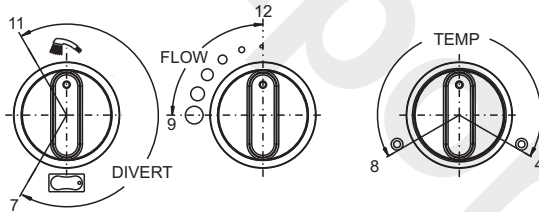
Diverter control (for 2-way valve) should be at 11 o'clock and the flow control at 9 o'clock (see figs 30 & 31).

Insert the Allen key into the access holes in the handles from the underside. Manoeuvre the Allen key until it enters the grub screw, then tighten the grub screws. The handles should now be securely attached.

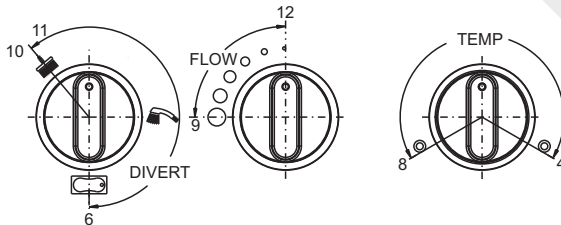
To remove the trim kit in future for maintenance and servicing, use the installation information in reverse sequence...



**Figure 29 Completed installation showing access holes from underside, handle positional indicators shown at top.**



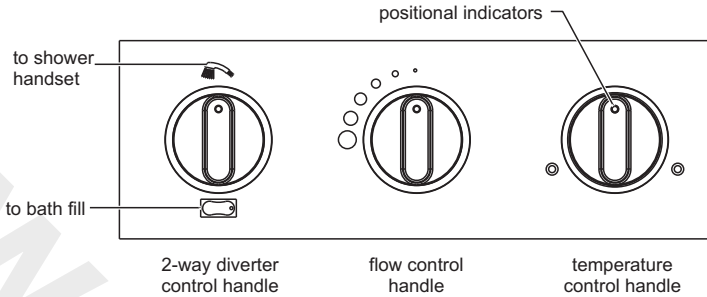
**Figure 30 Handle movement range (numbers signify o'clock) for 2-way diverter**



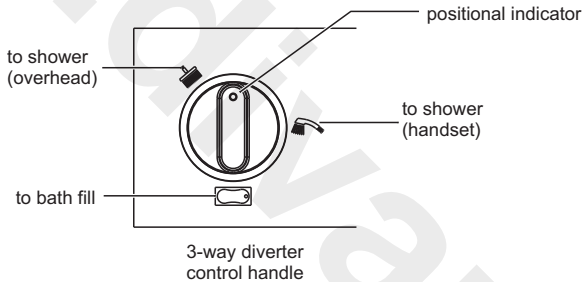
**Figure 31 Handle movement range for 3-way diverter**

Handle movement remains the same, regardless of whether the product is mounted horizontally or vertically. Logo handle position can be adjusted if vertical mounting is preferred

# 14 CONTROLS AND FUNCTIONS



**Figure 32 Quick reference to control knobs & functions for 2-way diverter**



**Figure 33 Quick reference to control knobs & functions for 3-way diverter**

The ring on each handle can be used as a positional indicator to establish the current setting of each control.

**1. Temperature control handle:** is situated on the right hand side and is marked with small red & blue rings. This handle controls the temperature of the water flowing from the built-in valve. Rotating the handle clockwise will reduce the temperature of the water. The water is mixed by a thermostatic blending valve. The handle movement will stop just after the hot /cold markers and should not be forced beyond these points.

**2. Flow control handle:** is the central control. This handle controls the volume of water flowing from the built-in valve. When the ring on the handle is at 12 o'clock the flow is switched off, indicated by the smallest circle symbol. Moving the handle 90° anti-clockwise, will give maximum flow as indicated by the largest circle symbol. This handle will only move a quarter of a turn and should not be forced beyond this range.

**3. Diverter control handle:** is situated on the left hand side and is marked with symbols. These symbols represent the different types of outlets devices to which the water flowing from the built-in valve can be directed. The positional indicator shows which outlet device is currently selected. This handle is free to rotate through about 240° and should not be forced beyond this range. The movement range for the 3-way is very similar to the 2-way.

## 15 MAINTENANCE GENERAL

Both water supplies must be isolated before commencing any servicing work on these products.

Key working parts within the valve are in the form of replaceable cartridges. **To access these remove all trim kit parts.** (see trim kit installation sect 9). Handle chrome parts carefully to prevent damage. With the trim kit removed, the 3 cartridges and check valves (shown in figure 20) will become exposed.

For servicing the check valves, see sections 7 & 8.

### TEMPERATURE CONTROL CARTRIDGE

The temperature control (thermostatic) cartridge which is situated on the right, controls the outlet water temperature. This thermostatic cartridge is protected from water borne debris by mesh filter screens, these should be checked and cleaned before contemplating replacing the cartridge.

**Removal of Thermostatic cartridge:** The temperature adjustment carrier (grey plastic part) can be removed by sliding the black serrated lever clockwise and pulling off. This will expose the brass handle extension which is locked to the thermostatic cartridge with two small grub screw. Use a 2.5mm Allen key to unscrew these and the extension will slide off. The thermostatic cartridge, which will then be exposed, can be unscrewed using 24mm deep socket.

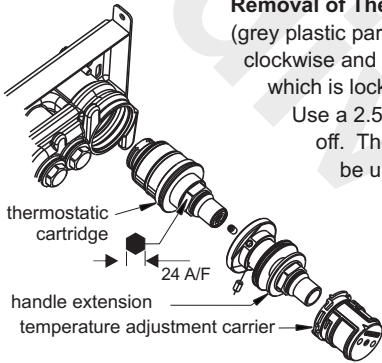


Figure 34 Thermostatic cartridge removal

To clean the screens remove the o-rings shown in Figure 35. The screens will then slide off. When clean replace the screens then the o-rings which should be lightly greased with a WRAS approved silicone grease (eg Kluber Unisilikon GBU2).

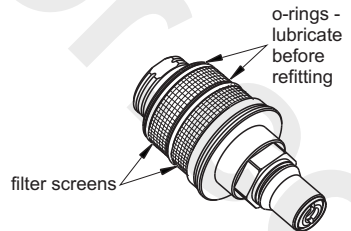
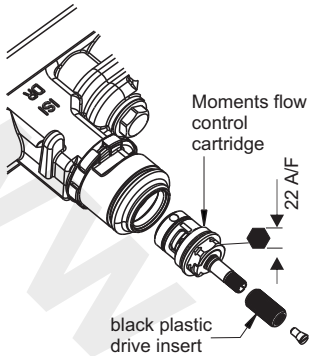


Figure 35 Thermostatic Cartridge

## FLOW CONTROL CARTRIDGE



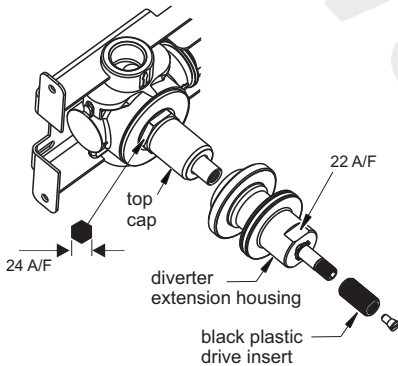
The flow control cartridge is the central control. This controls the volume of water flowing from the built-in valve.

The black plastic drive insert fitted to the cartridge should be reused on the new cartridge. Remove the retaining screw with a flat-blade screw driver

**Removal of cartridge:** unscrew using a 22mm A/F spanner. remember to turn off water supplies before removing the flow control cartridge.

Figure 36 Flow control cartridge removal

## DIVERTER CONTROL



The diverter control is situated on the left hand side. This control diverts the water flowing from the built-in valve to one of the outlets devices connected to the valve.

The diverter extension housing can be removed using a 22mm A/F spanner. Unscrew and remove. This will expose the top cap of the diverter. Use a 24mm deep socket to unscrew the cap. Take care as the cap is spring loaded. Most of the internal parts can be replaced (see section 16). Ensure parts are reassembled in the correct sequence.

Figure 37 Diverter control

## CALIBRATION

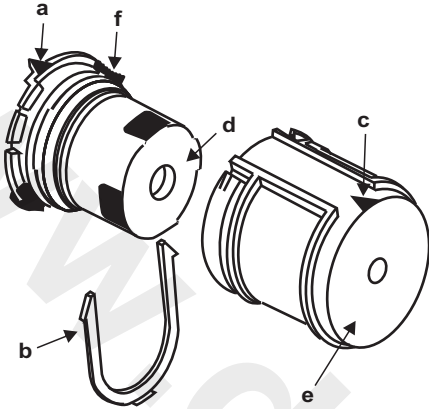


Figure 38 Temperature adjustment carrier exploded

The maximum mixed water temperature is factory set at 45°C. To change this temperature remove the temperature control handle. Remove the temperature limit stop (black H-shaped plastic part located in the temperature handle carrier) and reinsert it in the appropriate recess on the handle carrier. Four different settings are possible, 40°C, 43°C, 45°C & 50 °C (see Figure 39). Refit temperature handle.

When installing in care homes it must not be possible to deliver water hotter than 41°C so the limit stop must remain at the 40°C setting.

Remove handles, and trim kit components. Slide out the red "U" clip (b Figure 38) and disconnect the handle carrier to expose the temperature control mechanism. Turn on the shower, position a thermometer in the running water and when the temperature settles, rotate the temperature control mechanism (d) until 45 °C is achieved. Replace the handle carrier (e) ensuring the arrow (c) is at 12 o'clock. Without rotating it, refit the red "U" clip (b). Replace the covers and handles.

### NOTE

Details of the recommended code of practice for safe water temperatures can be found on the Thermostatic Mixing Valve Manufacturers Association web site: [www.tmva.org.uk](http://www.tmva.org.uk)

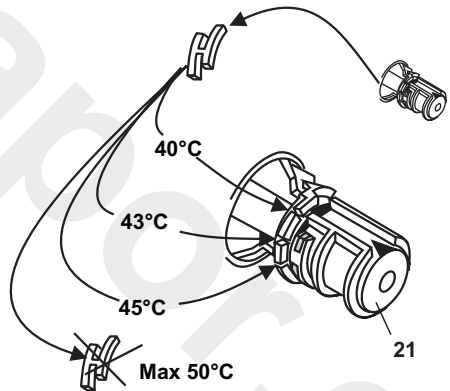


Figure 39 Adjusting the temperature limit stop

## CLEANING

When cleaning the shower valve always use soap based cleaners. Never use abrasive or scouring powders and never use cleaners containing alcohol, ammonia, nitric acid, phosphoric acid organic solvents or disinfectants.

16

SPARE PARTS

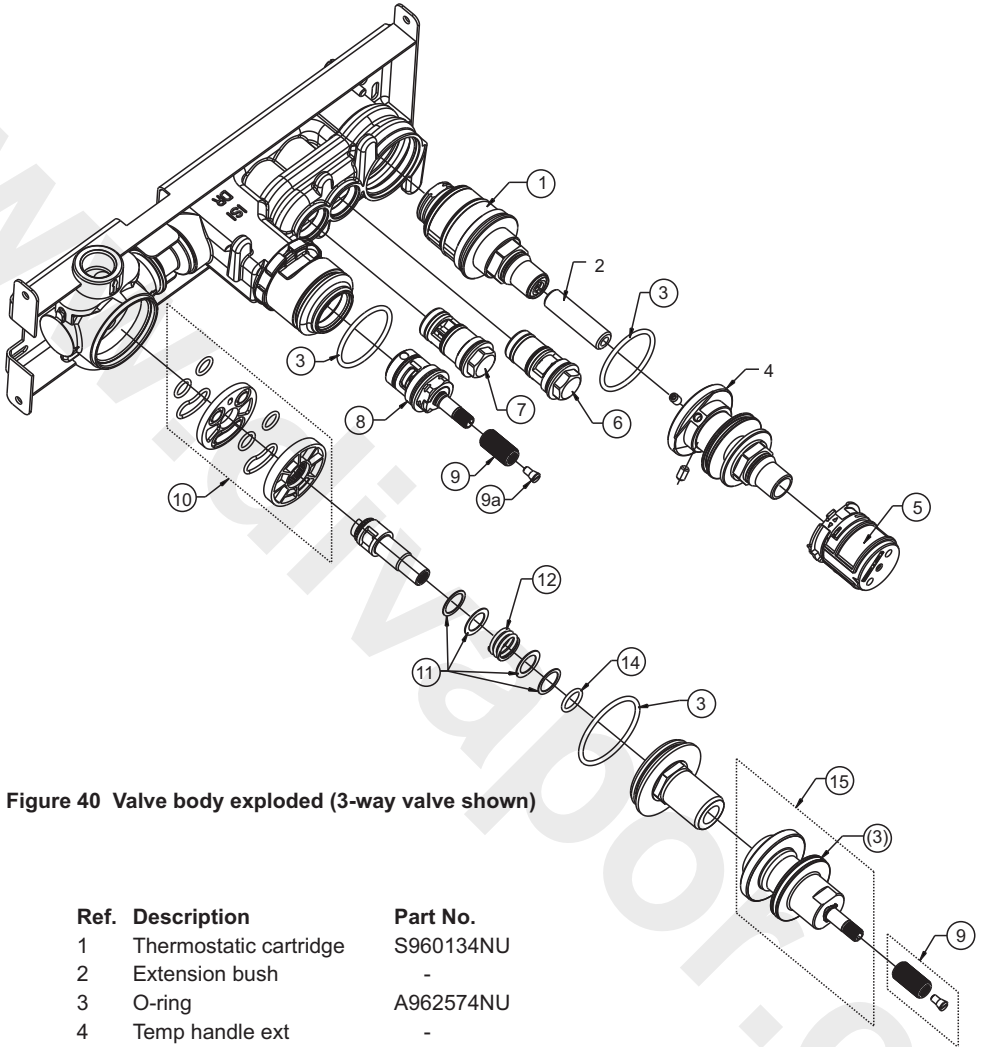


Figure 40 Valve body exploded (3-way valve shown)

Ref.	Description	Part No.
1	Thermostatic cartridge	S960134NU
2	Extension bush	-
3	O-ring	A962574NU
4	Temp handle ext	-
5	Temp adjust carrier	A963427NU
6	Check valve – cold	A960588NU
7	Check valve - hot	A960589NU
8	Flow control cartridge	A960462NU
9	Drive insert	A963196NU
9a	Screw for drive insert	A961337NU
10	Diverter parts kit	A963470NU
11	Brass & fibre washers	A963471NU
12	Spring	A963472NU
14	O-ring – small	A963469NU
15	Diverter extension assy	A962320NU

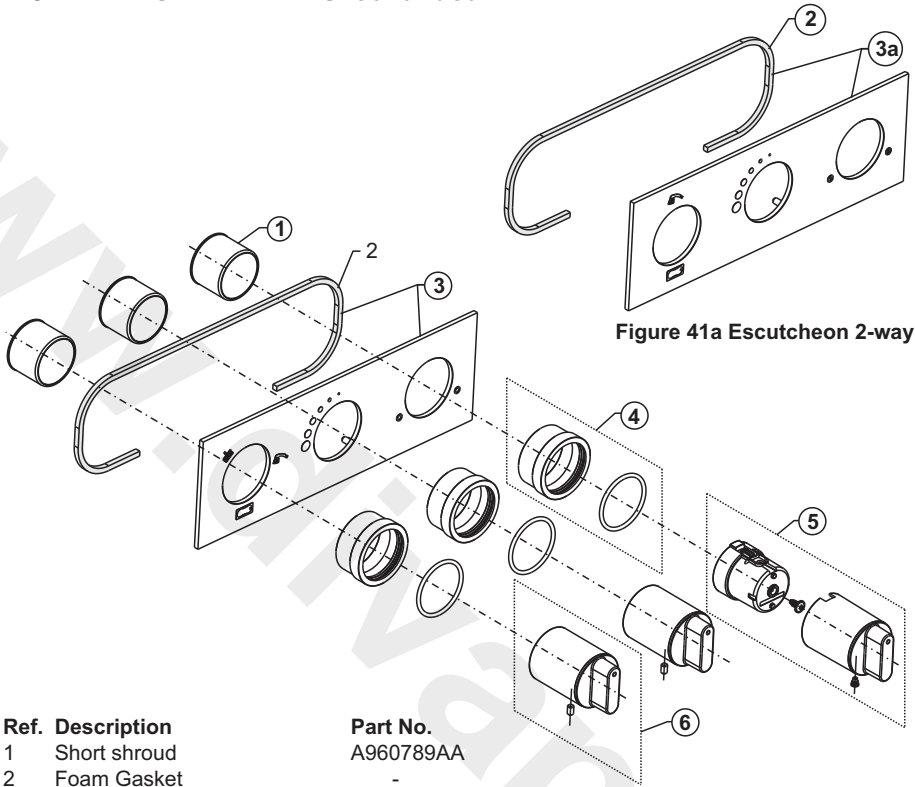


Figure 41a Escutcheon 2-way

Ref.	Description	Part No.
1	Short shroud	A960789AA
2	Foam Gasket	-
3	Escutcheon & gasket 3-way	A963200AA
3a	Escutcheon & gasket 2-way	A963199AA
4	Grip ring & o-ring kit	A960791AA
5	Temperature handle kit	A960792AA
6	Flow & diverter handle kit	A960793AA

Figure 41 Exploded view of Oposta 3-way trim kit (from A5602AA)

**CUSTOMER CARE HELP LINE**

**0870 129 6085**

**CUSTOMER CARE FAX**

**01482 499611**

**E-MAIL**

**UKcustcare@idealstandard.com**

Ideal Standard pursues a policy of continuing improvement in design and performance of its products.

The right is therefore reserved to vary specification without notice.

Ideal Standard is a division of Ideal Standard (UK) Ltd

Ideal Standard,  
The Bathroom Works, National Avenue  
Kingston-upon-Hull, HU5 4HS, England