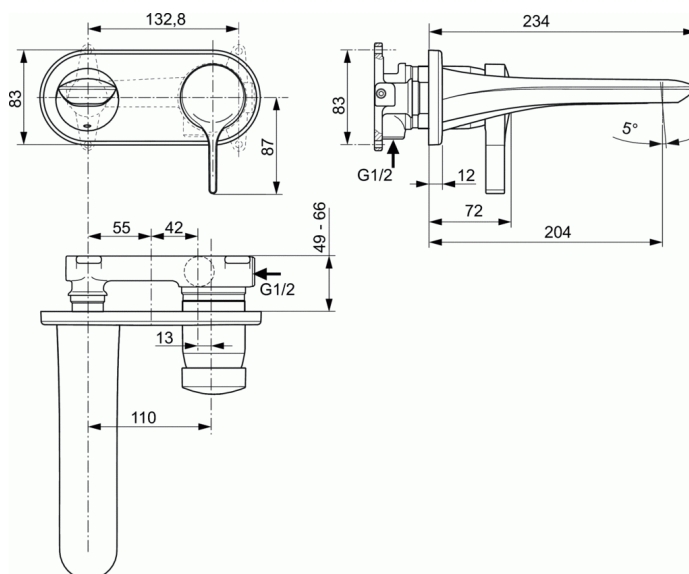


MELANGE

Built-in basin mixer



Built-in basin mixer

- Kit 2 version (visible parts)
- 47 mm IS ceramic Click cartridge
- Temperature limiter - integrated in the cartridge
- Cast spout 202 mm
- Metal escutcheon
- Metal handle with red and blue colour indication - printed on handle
- Aerator Cache with 5 l/min flow rate limiter
- To be used only in combination with:
- A5948NU Kit 1 (internal part) (order separately)
- Comply with EN817

Necessary equipment:
Built-in system Kit 1 for A5591AA (A5948NU)

REQUIRED

KIT1, built in unit

A5948

FINISHES*



AA

* AA = Chrome

KEY FEATURES & BENEFITS

