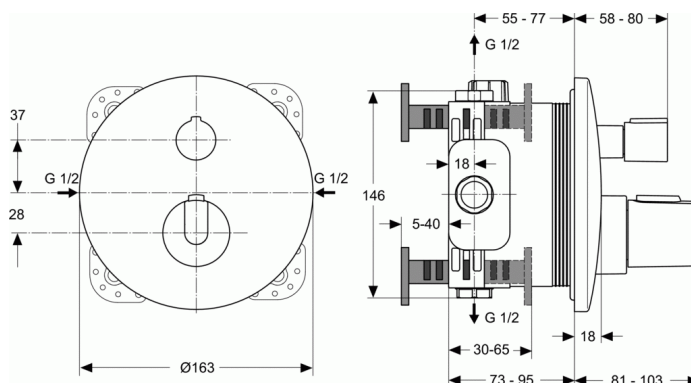


## CERATHERM 100 NEW

### Built-in individual thermostatic bath & shower mixer



#### Built-in individual thermostatic bath & shower mixer

Individual Thermostatic KIT2 version (visible part)

IS Thermostatic cartridge new technology and ceramic discs on/off valve G1/2 180°

2-way On/Off ceramic disc valve 90°

With integrated Bath & Shower diverter

Without accessories

Plastic handle with hot water stop button pre-fixed at 40°C

Plastic escutcheon

Comply with EN1111

To be used only in combination with: A1000NU KIT1 (internal part) (See Section Built-in parts)

#### FINISHES\*



AA

\* AA = Chrome

#### REQUIRED

EASY-BOX universal built-in KIT1 A1000

#### RECOMMENDED

Extension kit A960704

Extension kit A962476

Wall elbow B9448

M1 Shower Set, 1-functional, 100 mm diameter B9451