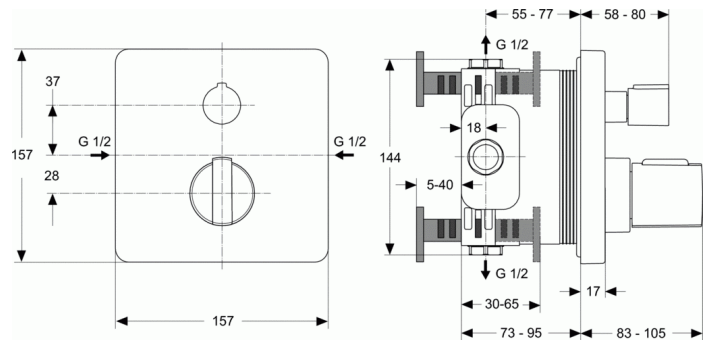


# CERATHERM 200 NEW

## Built-in individual thermostatic shower mixer



### Built-in individual thermostatic shower mixer

Individual Thermostatic KIT 2 version (visible part)  
 IS Thermostatic cartridge new technology and ceramic discs  
 on/off valve G1/2 180°  
 2-way On/Off ceramic disc valve 90° no diverter integrated  
 Metal escutcheon  
 Comply with EN1111  
 Plastic handle with hot water stop button pre-fixed at 40°C  
 To be used only in combination with : A1000NU KIT1

### FINISHES\*



AA

\* AA = Chrome

### REQUIRED

EASY-BOX universal built-in KIT1 A1000

### RECOMMENDED

Extension kit A960704  
 Extension kit A962476  
 Wall elbow B9448