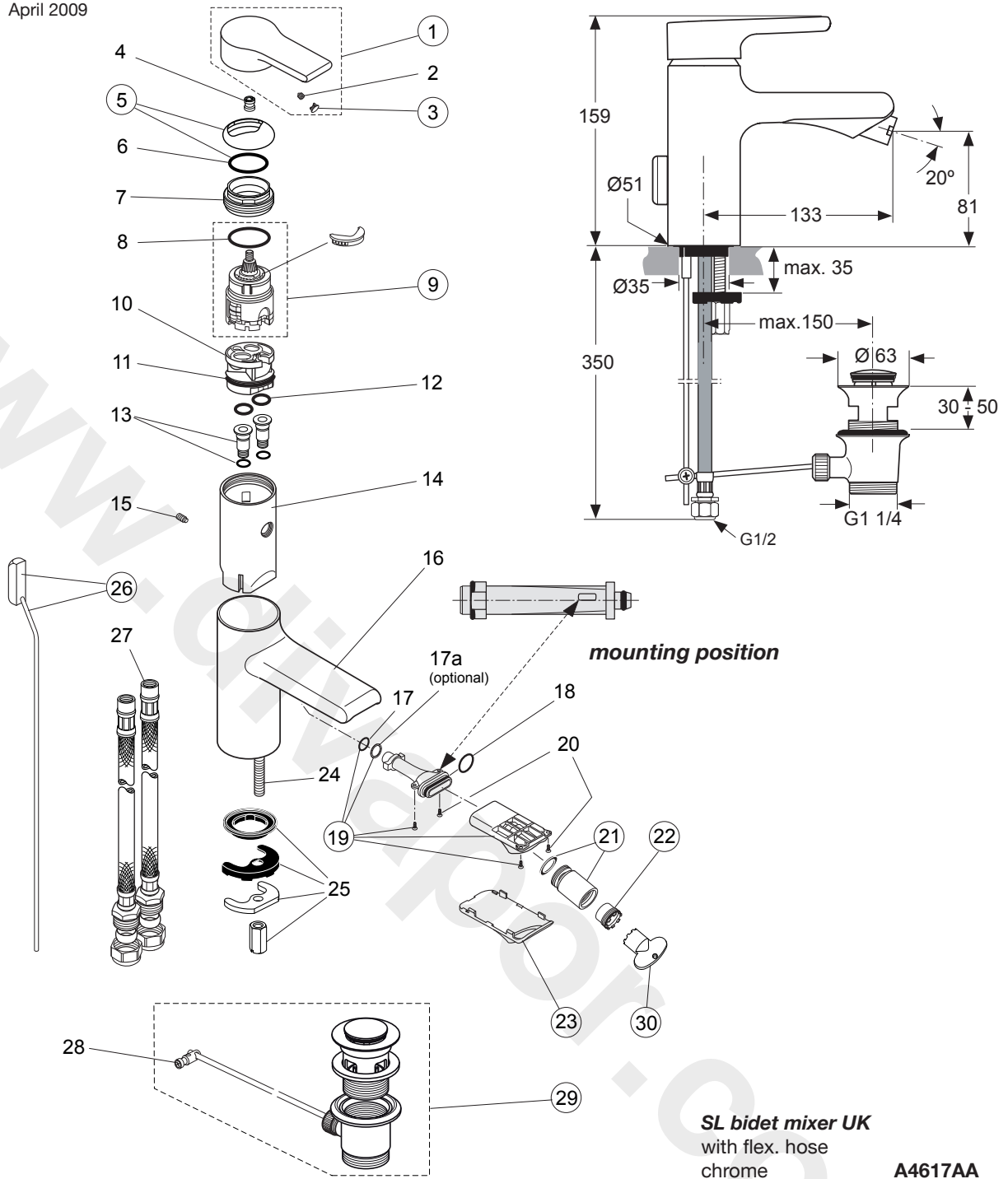


Produced from: April 2009



Pos.	Description	Part-Number	Qty.	Pos.	Description	Part-Number	Qty.
1	Lever cpl. with Logo IS	A 960 645 AA	1 pcs	17	O - ring Ø 9,25 x 1,78 (until 2014) (from 2015 Ø 9,1 x 1,6)		
2	Thread pin M5x6 DIN914			18	O - ring Ø 18 x 1,5		
3	Handle cap	B 960 473 AA	1 pcs	19	Water outlet f. aerator	A 960 649 NU*	1 Set
4	Handle adapter (included in pos. 9)			20	Screw Ejot WN5152 20x5		
5	Cover cap	A 960 646 AA	1 pcs	21	Ball joint M18 x 1 cpl.	A 962 385 AA	1 pcs
6	O - ring Ø 28,3 x 1,78			22	Aerator M16,5 x 1	B 960 497 NU	1 pcs
7	Clamping nut M43 x 1,5			23	Cover plate bidet	A 960 679 AA	1 pcs
8	O - Ring Ø 35 x 3,2			24	Stud M8 x 63mm		
9	Cartridge Multiport Click	A 962 985 NU	1 pcs	25	Fixation set		
10	Plastic manifold			26	Pull knob with lift rod	A 960 654 AA	1 pcs
11	O - ring Ø 34,65 x 1,78			27	Flex. hose M8x1-G3/8		
12	O - ring Ø 10 x 2			28	Bracket		
13	Adapter flex. hose			29	Pop-up waste complete	A 961 230 AA	1 pcs
14	Cartridge holder			30	Key for aerator pos. 22	A 960 196 NU	1 pcs
15	Thread pin M5x16 DIN 914						
16	Body (Lavy + Bidet)						

*from 2015 w. Pos.17a (optional); water outlet removed in Pos.19