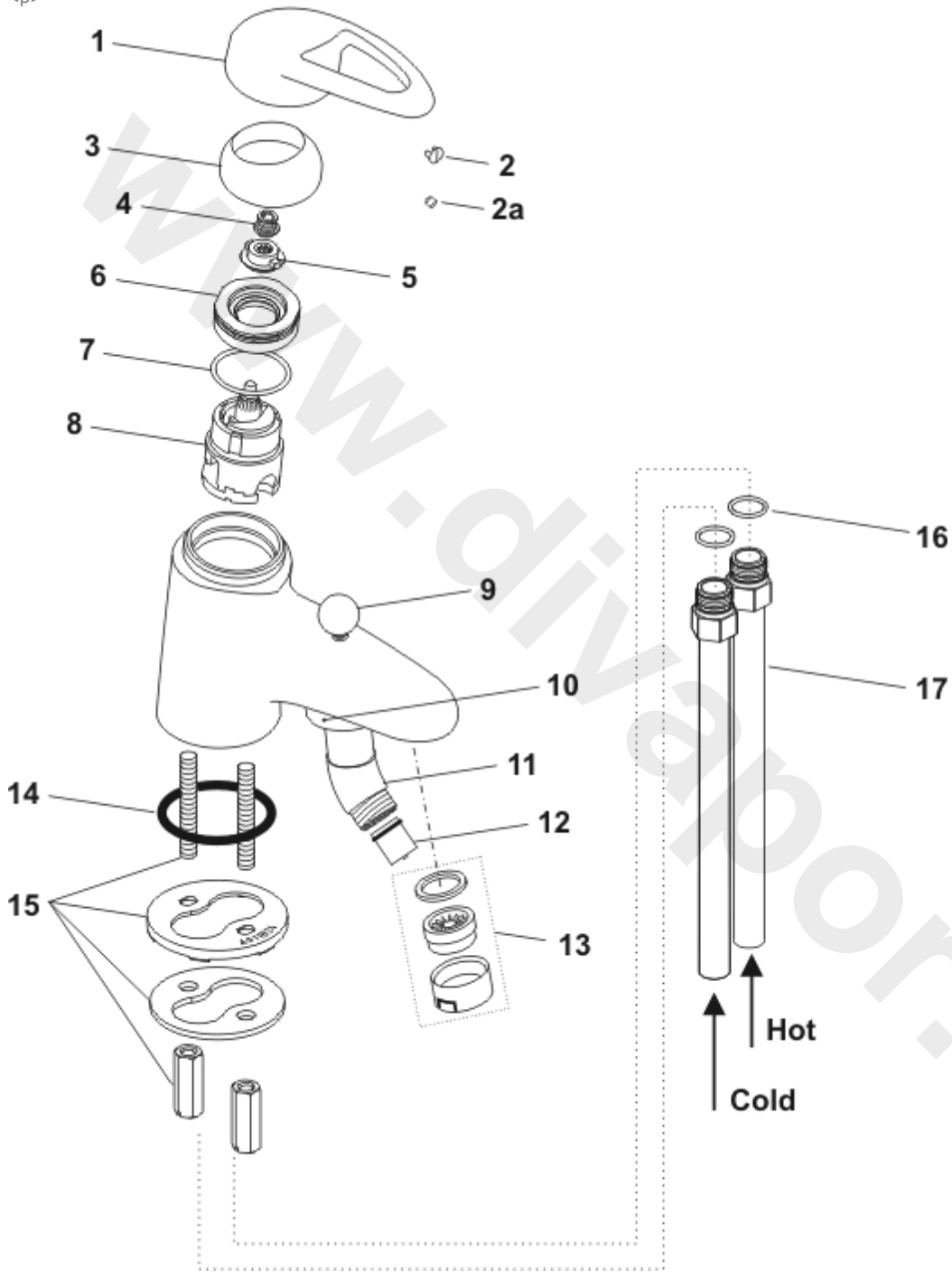


<p>



Ref.	Description	Part No.
1	Handle	E908835AA
2	Cover button	A907260NU
2a	Grub screw (A917393 in bom)	E91830267
2b	Allan key for above	E960062NU
3	Shroud	E907795AA
4	Nut	E906002NU
5	Drive insert	A960034NU
6	Cartridge retaining nut	A906068AT
7	O-ring	A962715NU
8	Multiport cartridge HF	A960145NU
9	Diverter knob	A909938AA11
10	Diverter complete	E960455AA
11	Outlet elbow complete	-
12	Check valve	A952849
13	Flow straightener	A910210AA
14	Deck sealing o-ring	E912769NU
15	Fixing set	A951515NU
16	O-ring 15.6 x 1.78	A963916NU
17	Inlet tail	A960133NU
20	Flexible shower hose G1/2 x 1800mm	A923451
21	Handspray	B950791AA11
22	Adjustable wall bracket	B950079AA1

NB -- colour/finish options

Chrome = AA

www.divapor.com