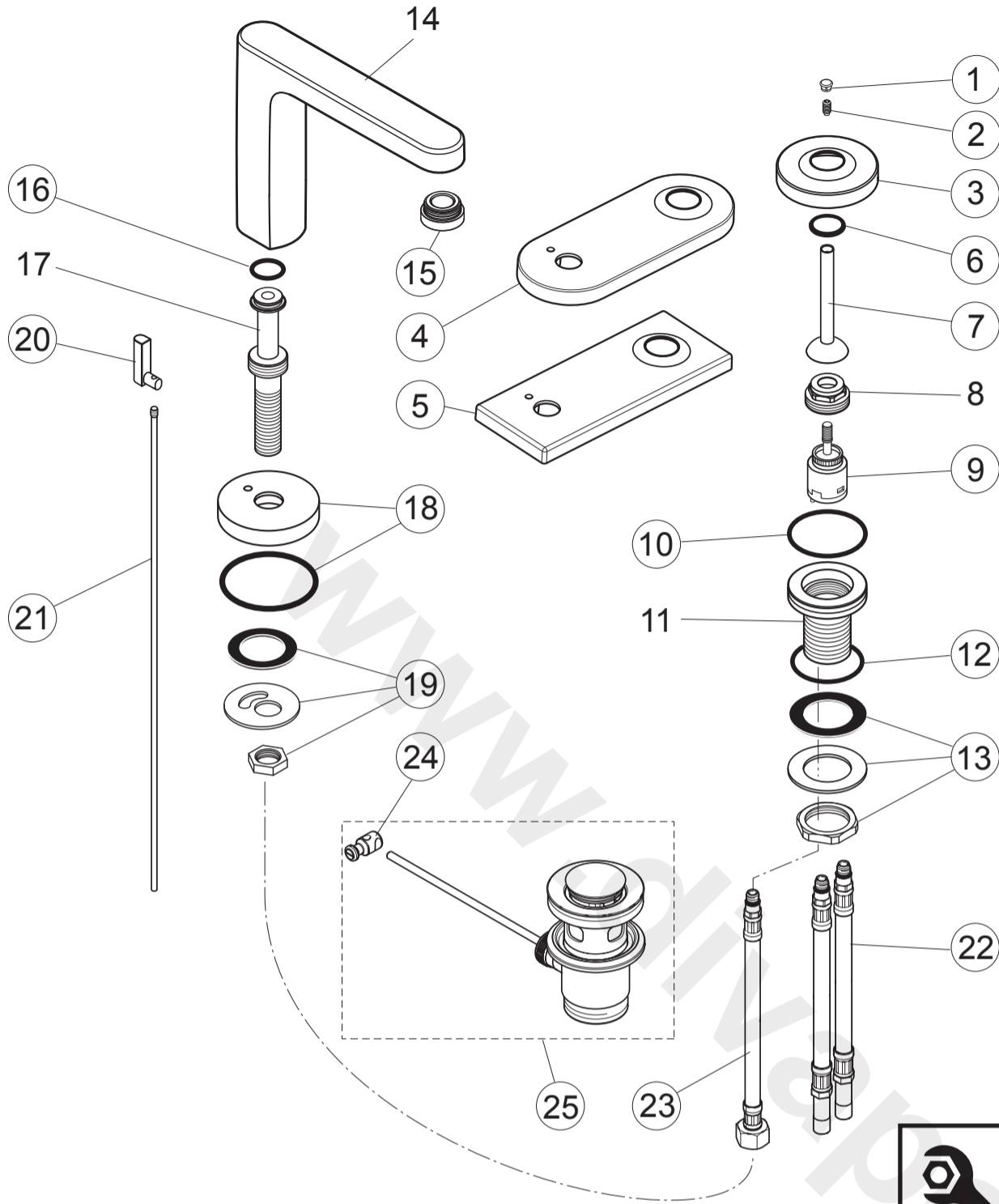




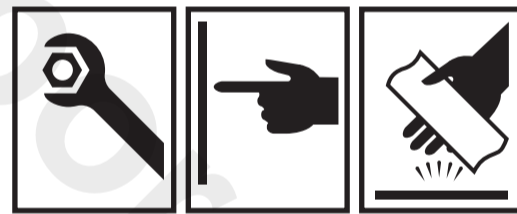
Spare Parts / Ersatzteile / Pièces de recharge / Pezzi di Ricambio / Piezas de requesto /  
 Parte de reposição / Reserveonderdelen / Reservdelar / Reservedeler / Varaosat /  
 Vraosat / Varahlutir / Ανταλλακτικά / Yedek Parçalar / Náhradní díly / Náhradné diely /  
 Nadomestni deli / Резервни части / Запчасти / Części Zapasowe / Piese de schimb  
 / Rendelhető alkatrészek / Запасні частини / Reservni delovi / Резервни делови /  
 Резервни делови / Atsarginių dalių / Tellitavad varuosad / Rezervju daļu



XX = AA, AD...

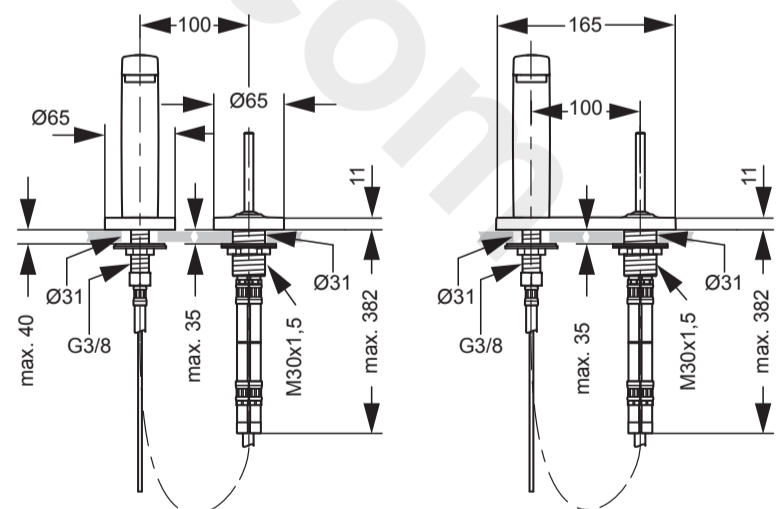
Position

- 1 = A 962 256 XX
- 2 = A 963 309 NU
- 3 = A 962 257 XX
- 4 = A 962 258 XX
- 5 = A 962 259 XX
- 6 = A 962 261 NU
- 7 = A 962 262 XX
- 9 = A 962 263 NU
- 10 = A 960 331 NU
- 12 = A 962 264 NU
- 13 = A 962 667 NU
- 15 = B 960 568 XX
- 16 = A 961 810 NU (2x)
- 18 = A 962 265 XX
- 19 = A 962 342 NU
- 20 = A 962 266 XX
- 21 = A 962 138 NU
- 22 = A 962 419 NU
- 23 = A 963 600 NU
- 24 = A 963 404 NU
- 25 = A 961 230 AA



**SIMPLY U**  
 A 4477.. A 4478.. A 4479..

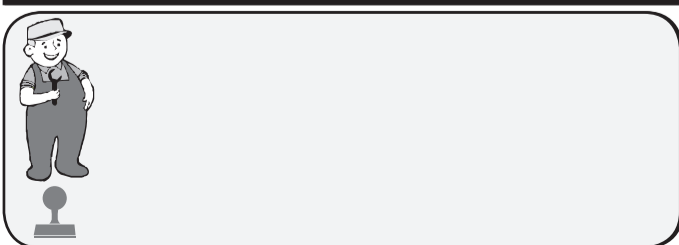
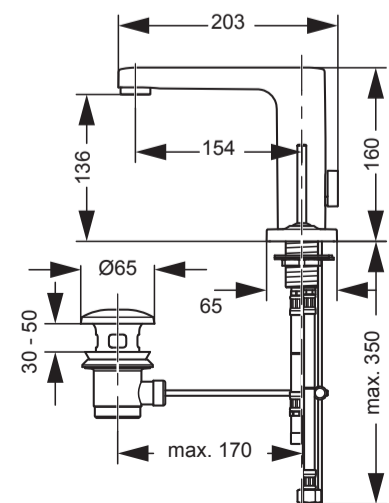
0811 / A 865 892  
 (+ A 865 612)  
 Made in Germany



A4477..

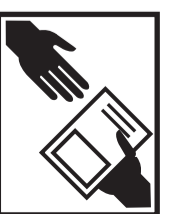
A4478..

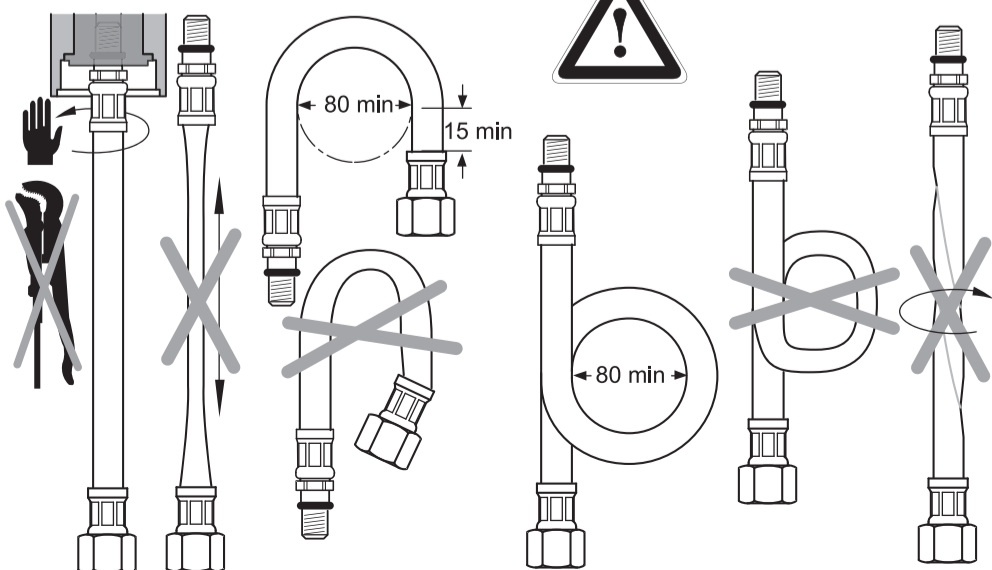
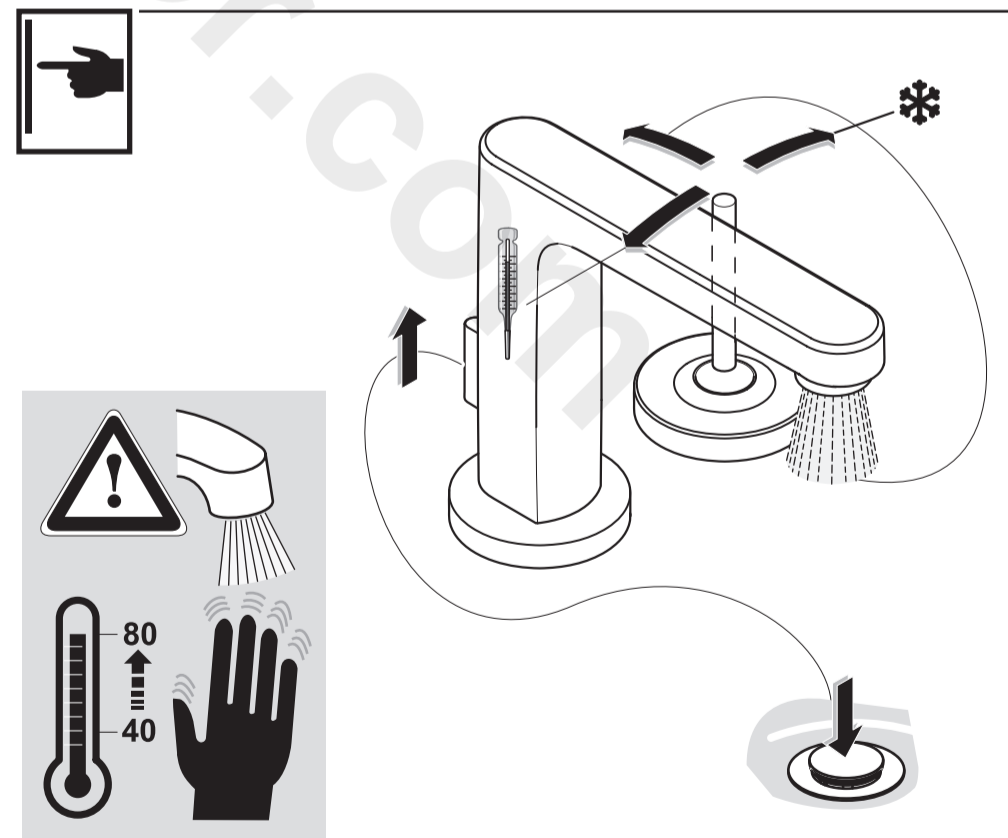
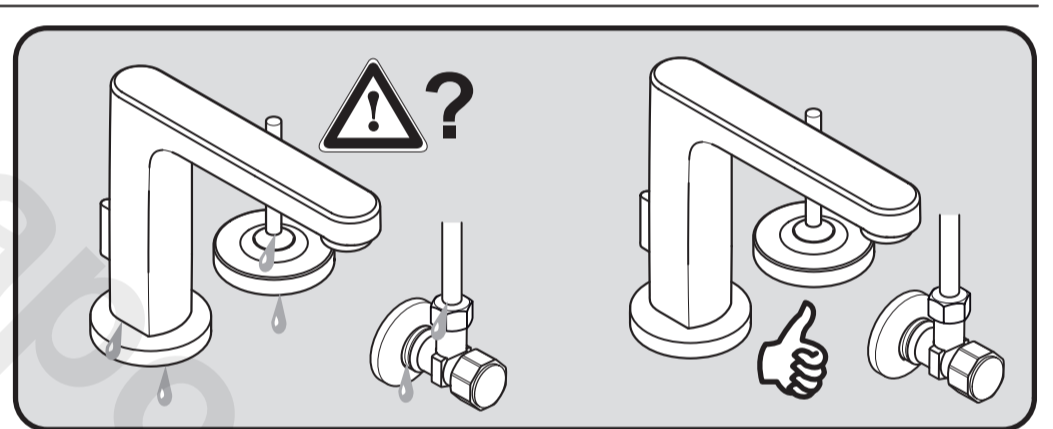
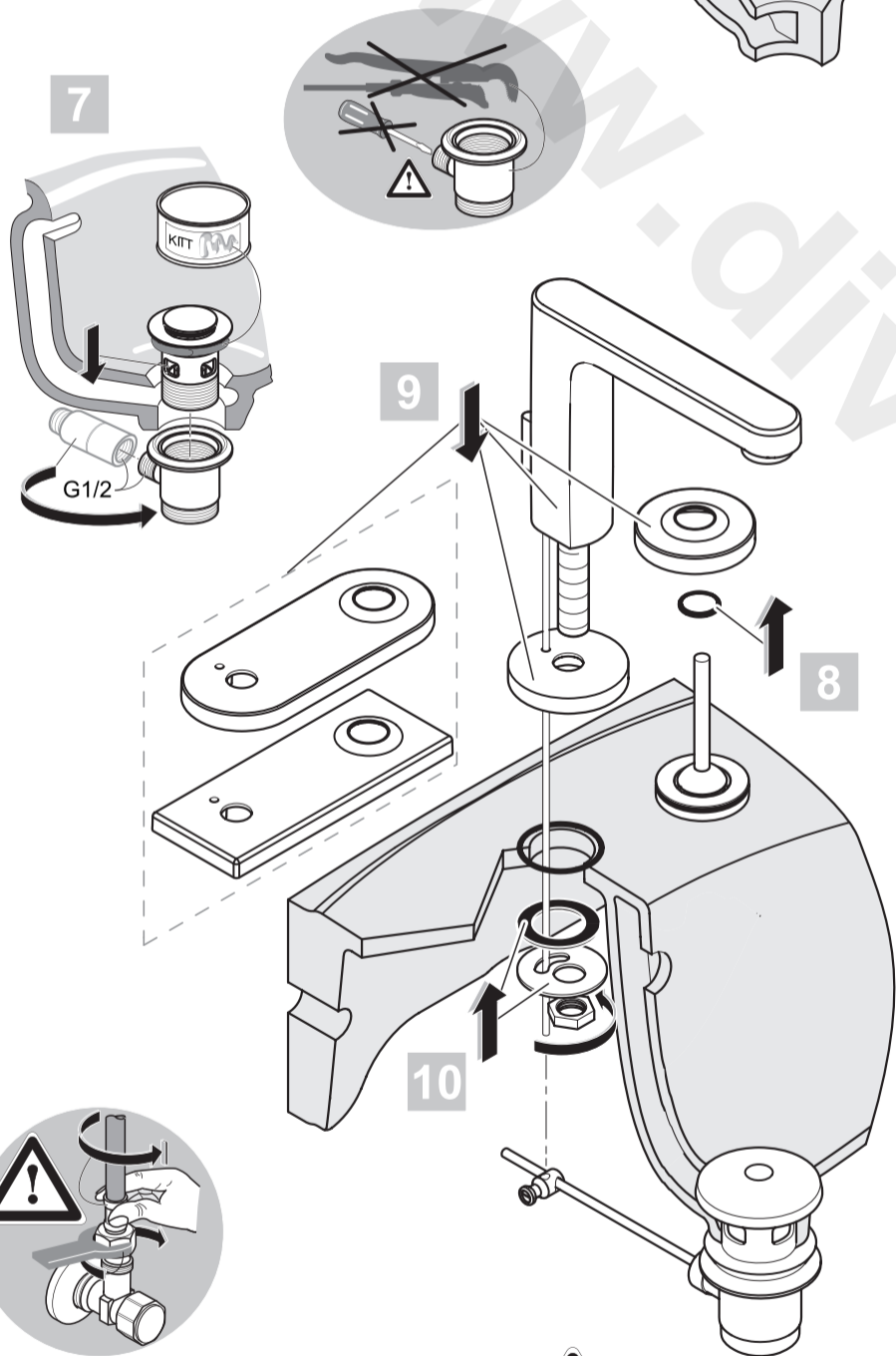
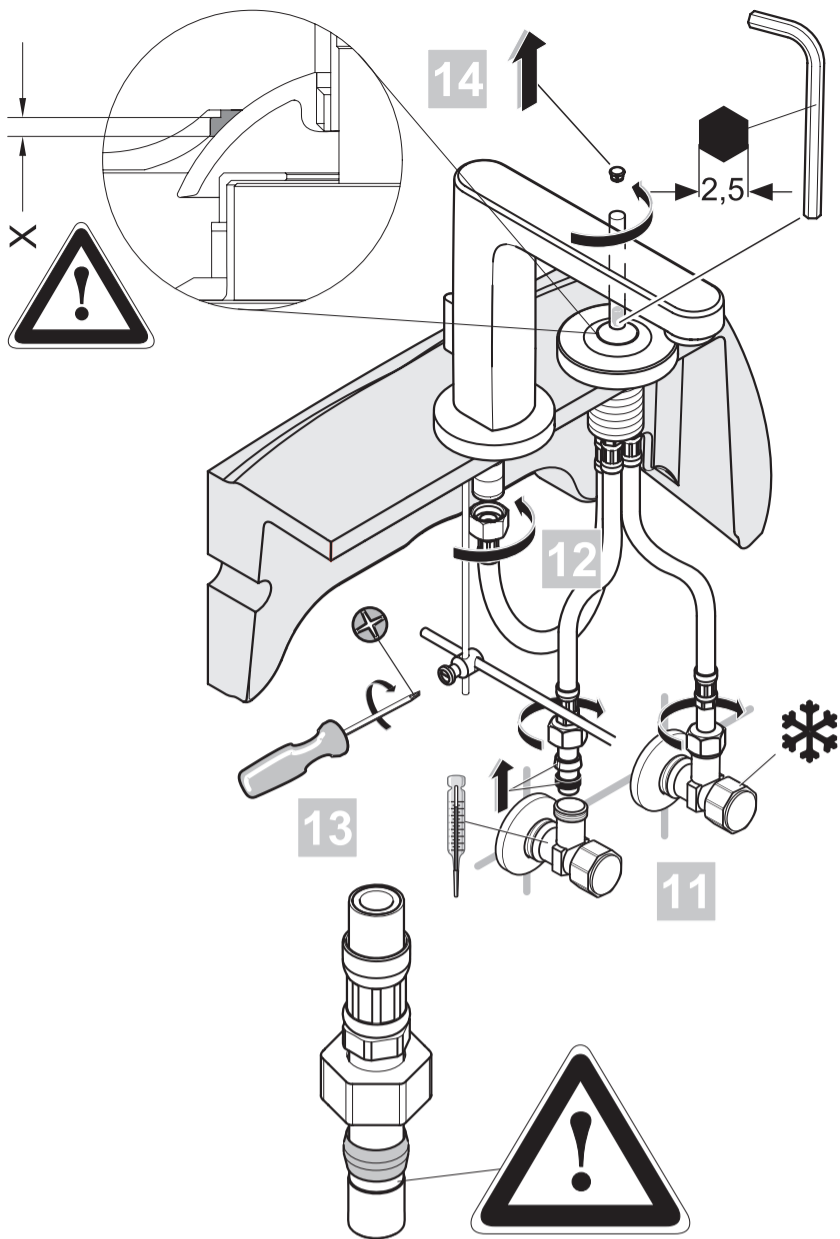
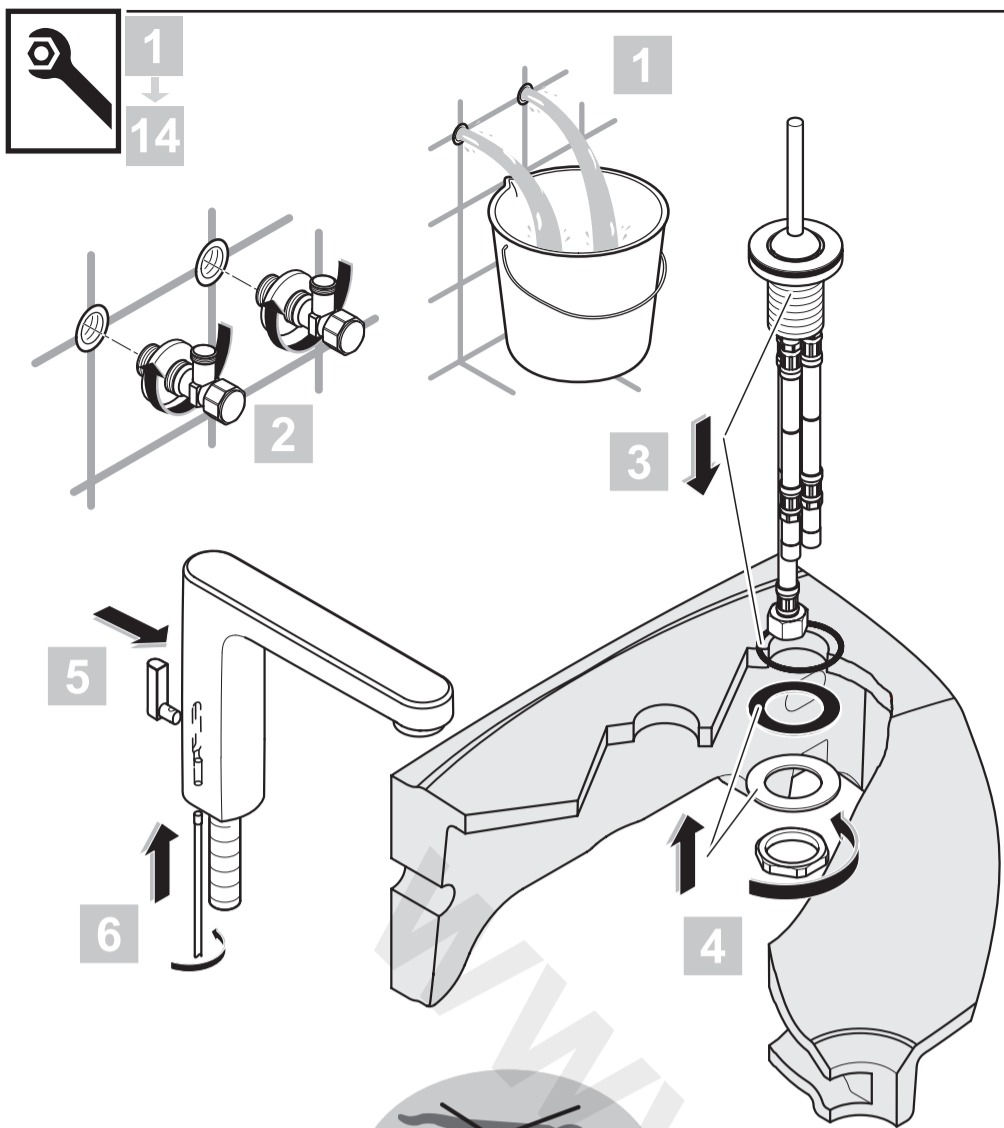
A4479..



Ideal Standard International BVBA  
 Chaussée de Wavre, 1789 - box 15  
 1160 Bruxelles  
 Belgium

www.idealstandardinternational.com





	<b>P</b>	<b>bar</b>	0,5		MAX. 10	1		<b>Q</b>	(3 bar)
	<b>T</b>	<b>°C</b>			MAX. 80	65		<b>l/min</b>	8