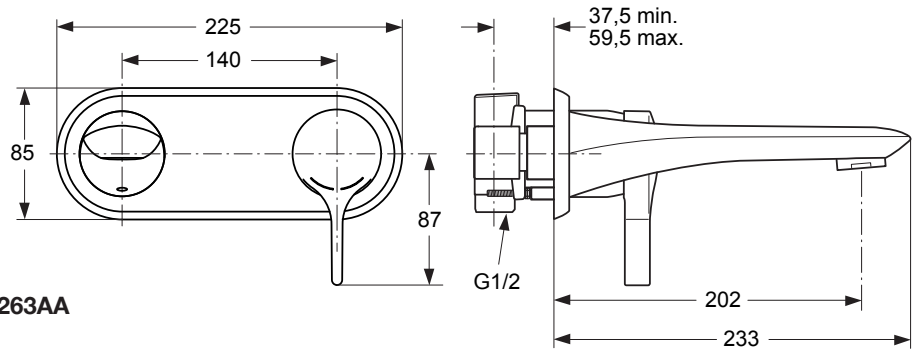
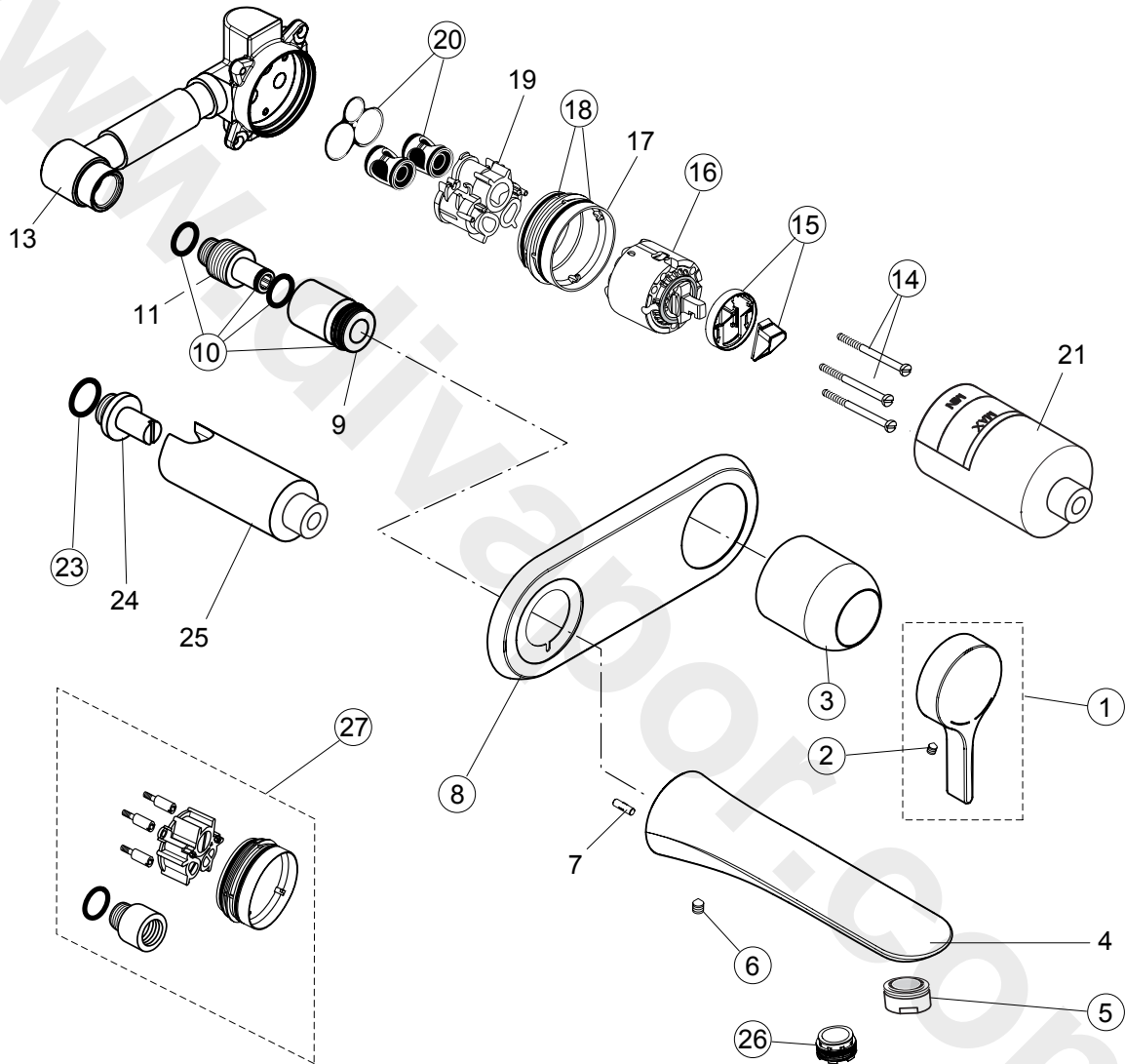


Produced from: Jan. 2008



Built-in basin-mixer Complete chrome  
**A4263AA**



Pos.	Description	Part-Number	Qty.	Pos.	Description	Part-Number	Qty.
1	Lever cpl. with Logo IS	<b>A 962 065 AA</b>	1 pcs	15	ECO - Kit	<b>A 860 700 NU</b>	1 pcs
2	Thread pin M5x6 DIN914	<b>A 963 667 NU</b>	1 pcs	16	Cartridge Ø47 + Pos.15	<b>A 960 500 NU</b>	1 pcs
3	Cap	<b>A 960 048 AA</b>	1 pcs	17	Plastic ring		
4	Spout			18	O - Ring Ø 47,3 x 1,78	<b>A 963 526 NU</b>	2 pcs
5	Aerator M24x1 + Pos.27	<b>A 962 080 AA</b>	1 pcs	19	Plastic insert		
6	Thread pin M6x8 DIN914	<b>A 860 691 NU</b>	1 pcs	20	Low noise insert cpl.	<b>A 963 524 NU</b>	1 Set
7	Cylindrical pin Ø3x24			21	Plaster guard - Cartridge		
8	Escutcheon	<b>A 962 078 AA</b>	1 pcs	23	O - Ring Ø 18 x 2	<b>A 962 869 NU</b>	2 pcs
9	Spout connector			24	Plug connection		
10	O - Ring Set + Pos.11	<b>A 960 250 NU</b>	1 Set	25	Plaster guard - Spout		
11	Nipple			26	Aerator M24x1 Cache 5ltr.	<b>A 962 079 NU</b>	1 pcs
13	Body built-in version			27	Extension kit 20mm	<b>A 960 728 NU</b>	1 Set
14	Cylindrical screws M4x69	<b>A 963 783 NU</b>	3 pcs	28	Aerator key for Pos. 26	<b>A 960 196 NU</b>	1 pcs