

# Sensorflow 21 A4126.. A4180.. A4181.. A4182.. A4183.. A4184..

Armitage  
Shanks

Produced from: March 2010

Wall mounted spout with sensor  
PC-Board DC Battery  
chrome 150mm  
chrome 230mm

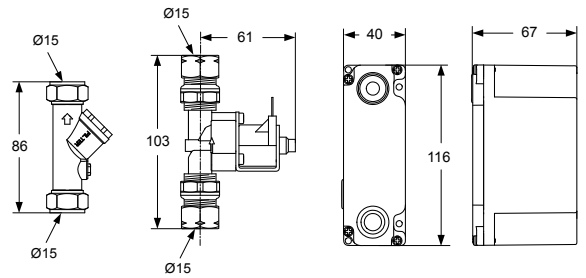
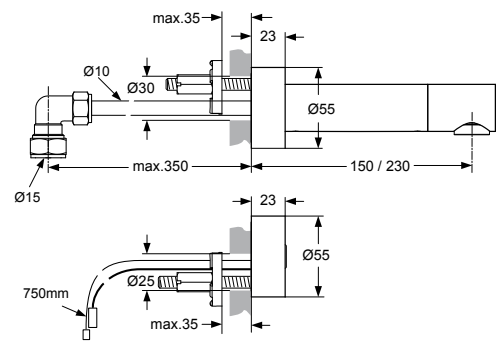
**A4126AA**  
**A4182AA**

Wall mounted spout with sensor  
PC-Board AC  
chrome 150mm  
chrome 230mm

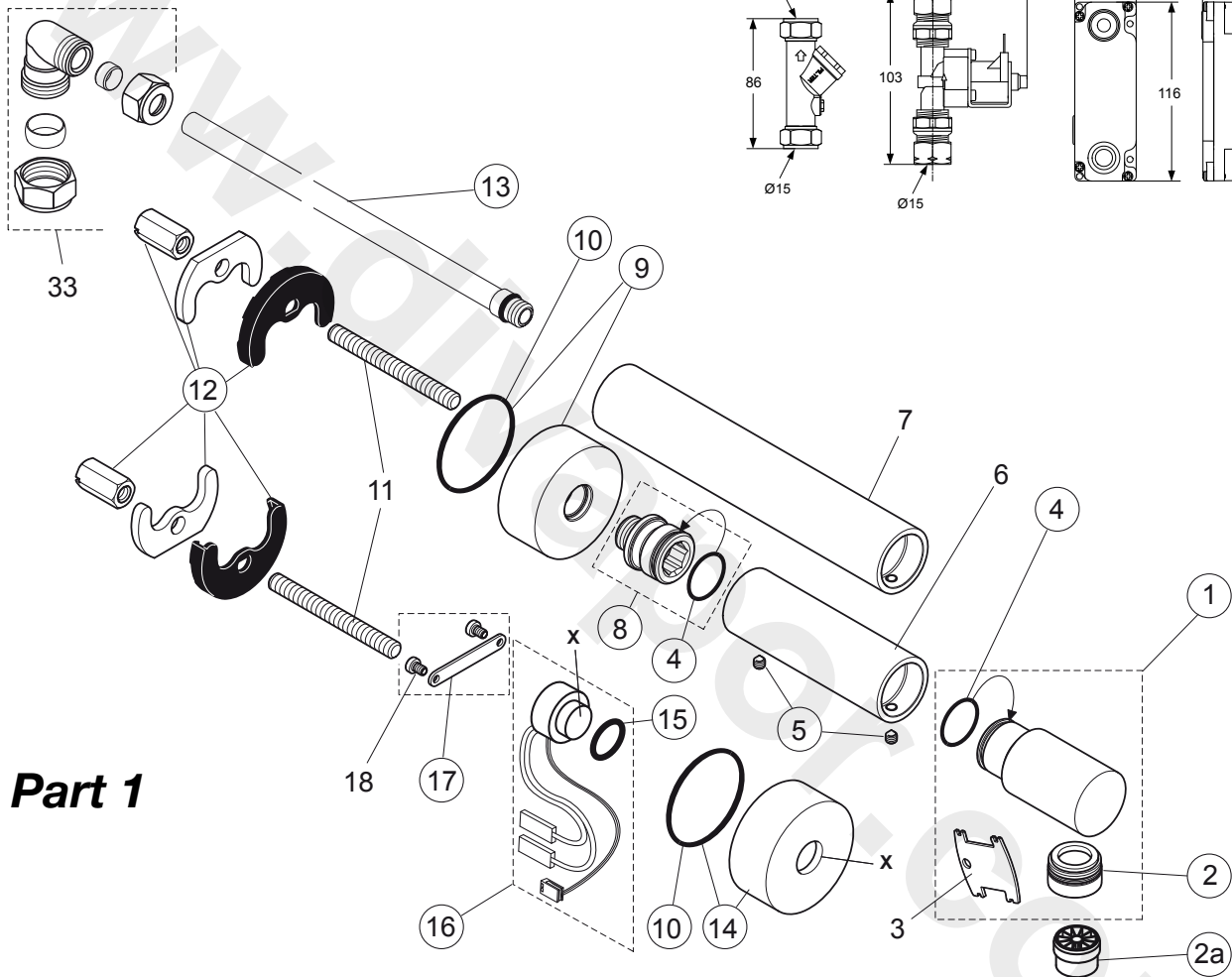
**A4180AA**  
**A4183AA**

Wall mounted spout with sensor  
PC-Board AC Multiply  
chrome 150mm  
chrome 230mm

**A4181AA**  
**A4184AA**



Page 1 of 2



Part 1

Pos.	Description	Part-Number	Qty.	Pos.	Description	Part-Number	Qty.
1	Spout complete	<b>A 962 086 AA</b>	1 pcs	12	Fixation-Set Universal	<b>A 960 401 NU</b>	1 Set
2	Aerator M24x1 complete	<b>B 960 457 AA</b>	1 pcs	13	Flex. hose M10x1-G3/8	<b>A 963 305 NU</b>	1 pcs
2a	Insert to pos. 2	<b>B 960 860 NU</b>	1 pcs		Cu-pipe M10x1	<b>B 960 459 NU</b>	1 pcs
3	Aerator key			14	Escutcheon Sensor	<b>A 962 098 AA</b>	1 pcs
4	O - Ring Ø 20,35 x 1,78	<b>A 961 798 NU</b>	1 Set	15	O - Ring Ø 15,6 x 1,78	<b>A 961 182 NU</b>	2 pcs
5	Thread pin M5 x 6 DIN914	<b>A 963 667 NU</b>	1 pcs	16	Sensor complete + Pos.15	<b>A 960 219 NU</b>	1 pcs
6	Extension f. A4126-80-81AA - 97mm lg.			17	Sensor fixation (tin+screws)	<b>A 960 342 NU</b>	1 pcs
7	Extension f. A4182-83-84AA - 177mm lg.			18	Cylindrical screw M3 x 6 DIN 85		
8	Nipple M16 x 1,5 complete	<b>A 962 096 NU</b>	1 pcs	33	Elbow complete		
9	Escutcheon Spout	<b>A 962 097 AA</b>	1 pcs				
10	O - Ring Ø 44 x 2	<b>A 961 338 NU</b>	2 pcs				
11	Stud M8 x 77						