

# Sensorflow 21 A4125.. A4178.. A4179..

Armitage  
Shanks

Produced from: March 2010

Wall mounted spout with sensor  
PC-Board DC Battery  
chrome

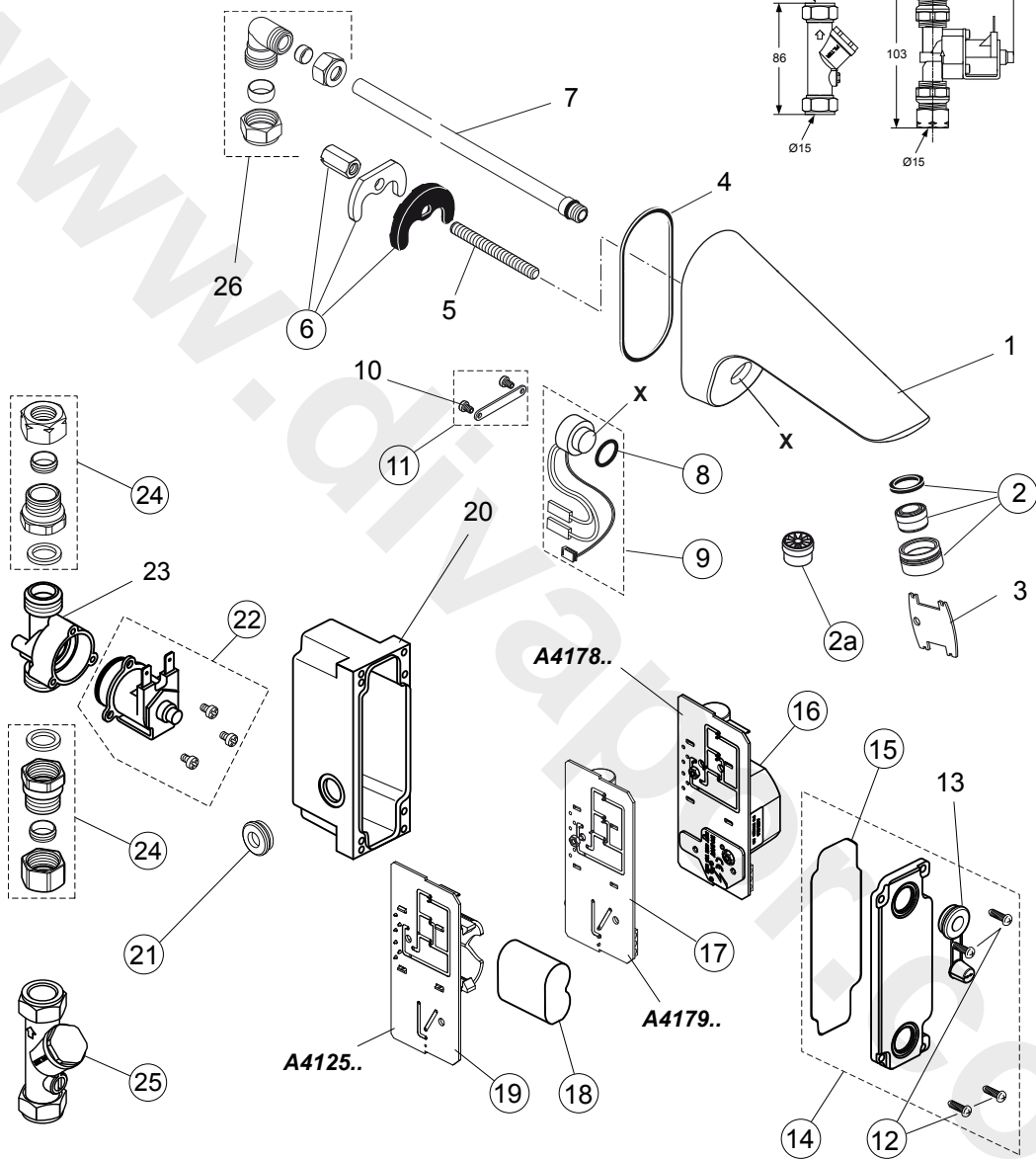
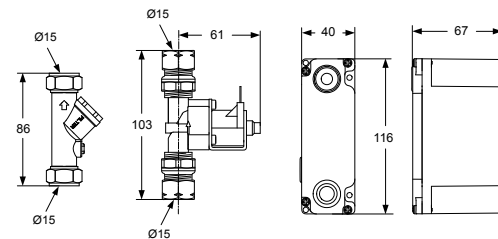
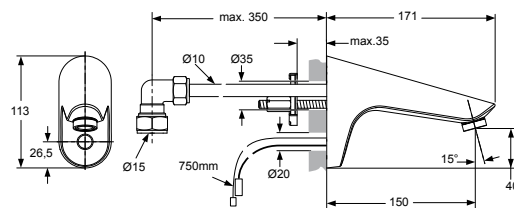
**A4125AA**

Wall mounted spout with sensor  
PC-Board AC  
chrome

**A4178AA**

Wall mounted spout with sensor  
PC-Board AC Multiply  
chrome

**A4179AA**



Pos.	Description	Part-Number	Qty.	Pos.	Description	Part-Number	Qty.
1	Spout			14	Cover complete	<b>A 960 163 NU</b>	1 pcs
2	Aerator M24x1 + pos. 3	<b>B 960 859 AA</b>	1 pcs	15	Sealing frame	<b>A 960 162 NU</b>	1 pcs
2a	Insert to pos. 2	<b>B 960 860 NU</b>	1 pcs	16	PC Board AC (A4178AA)	<b>A 960 159 NU</b>	1 pcs
3	Aerator key			17	PC Board Multi (A4179AA)	<b>A 960 160 NU</b>	1 pcs
4	Sealing ring			18	Battery 6V CR-P2	<b>A 960 161 NU</b>	1 pcs
5	Stud M8 x 77			19	PC Board DC (A4125AA)	<b>A 960 158 NU</b>	1 pcs
6	Fixation-Set Universal	<b>A 960 401 NU</b>	1 Set	20	Control box		
7	Pipe Ø10 with nipple M12x1 / L385			21	Cable sealing	<b>A 960 155 NU</b>	2 pcs
8	O - Ring Ø 15,6 x 1,78	<b>A 961 182 NU</b>	2 pcs	22	Magnet valves with screws	<b>A 962 478 NU</b>	1 Set
9	Sensor complete + Pos. 8	<b>A 960 219 NU</b>	1 pcs	23	Valve housing		
10	Cylindrical screw M3x6 DIN 85			24	Coupler ( short version )	<b>A 962 499 NU</b>	1 pcs
11	Sensor fixation (tin+screws)	<b>A 960 342 NU</b>	1 pcs	25	Service valve	<b>E 960 086 NU</b>	1 pcs
12	Ejot-PT Screw KB 35x12	<b>A 960 152 NU</b>	4 pcs	26	Elbow complete		
13	Cable sealing special						