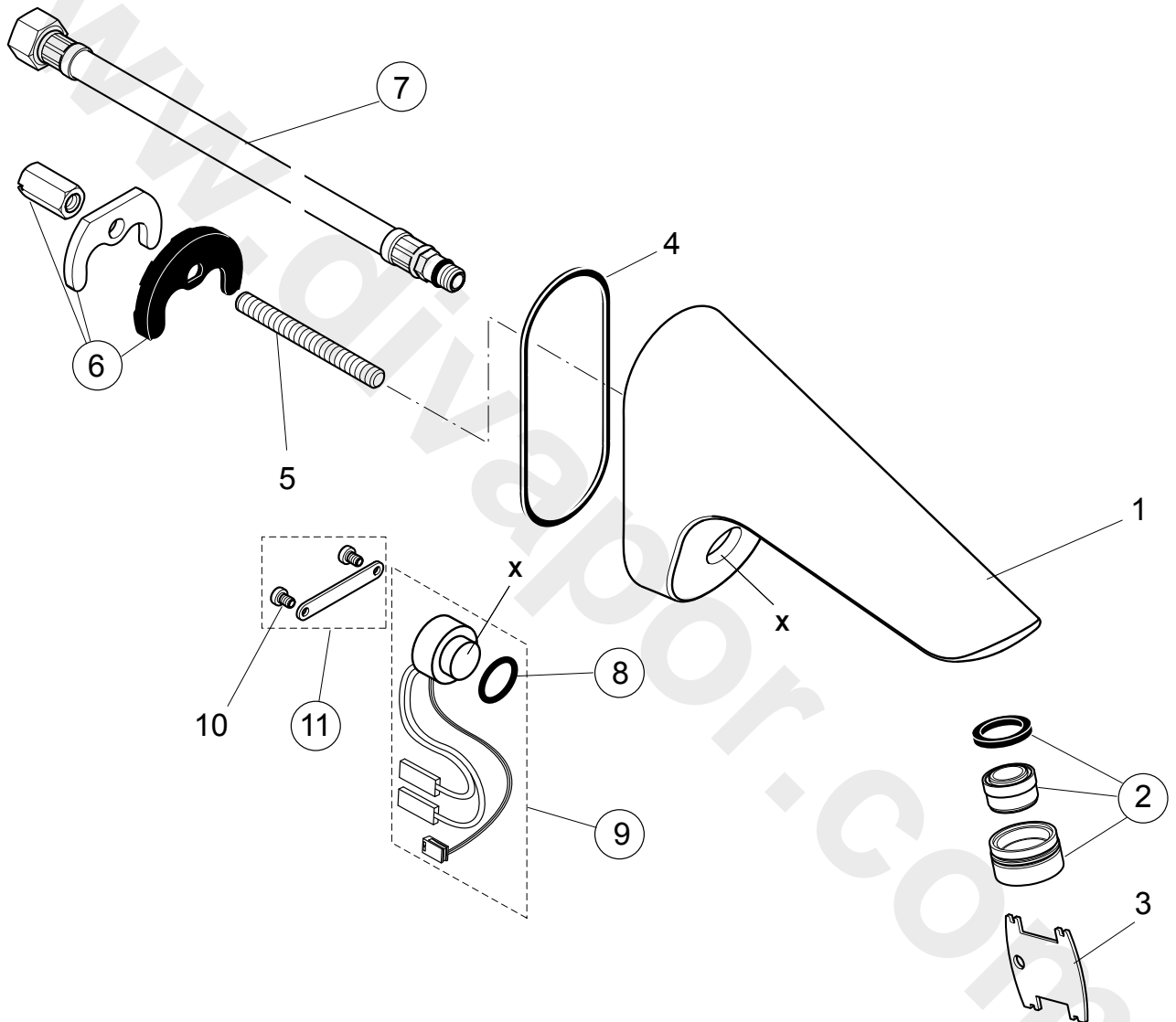
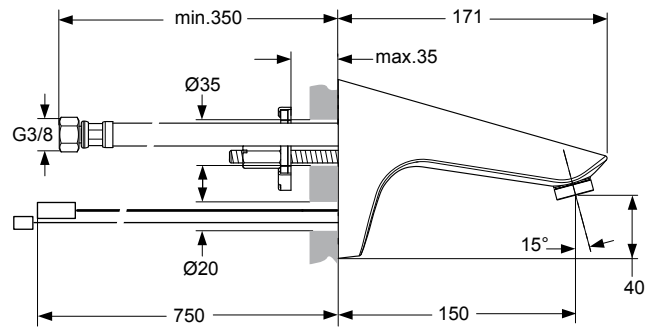
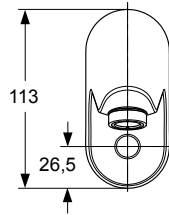


Produced from: Febr. 2008

Wall mounted Spout Electronic 150mm
complete with sensor
chrome

A4159AA



Pos.	Description	Part-Number	Qty.	Pos.	Description	Part-Number	Qty.
1	Spout						
2	Aerator M24x1 complete	B 960 457 AA	1 pcs				
3	Aerator key						
4	Sealing ring						
5	Stud M8 x 77						
6	Fixation-Set Universal	A 960 401 NU	1 Set				
7	Flex. hose M10x1-G3/8	A 963 449 NU	1 pcs				
8	O - Ring Ø 15,6 x 1,78	A 961 182 NU	2 pcs				
9	Sensor complete + Pos.8	A 960 219 NU	1 pcs				
10	Cylindrical screw M3 x 6 DIN 85						
11	Sensor fixation (tin+screws)	A 960 342 NU	1 pcs				