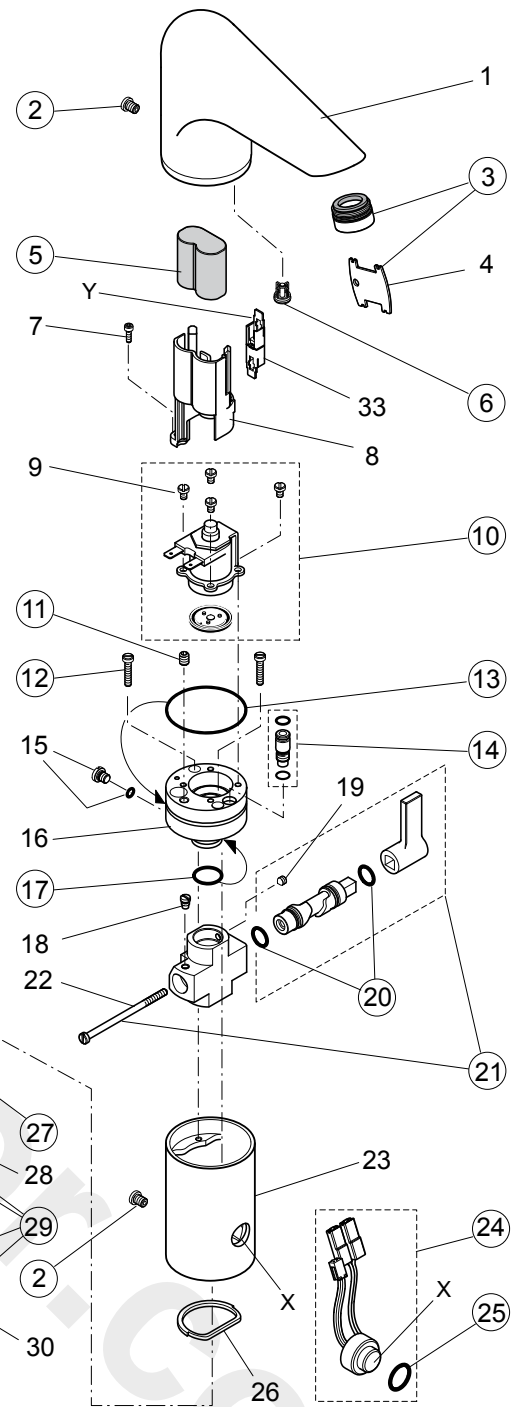
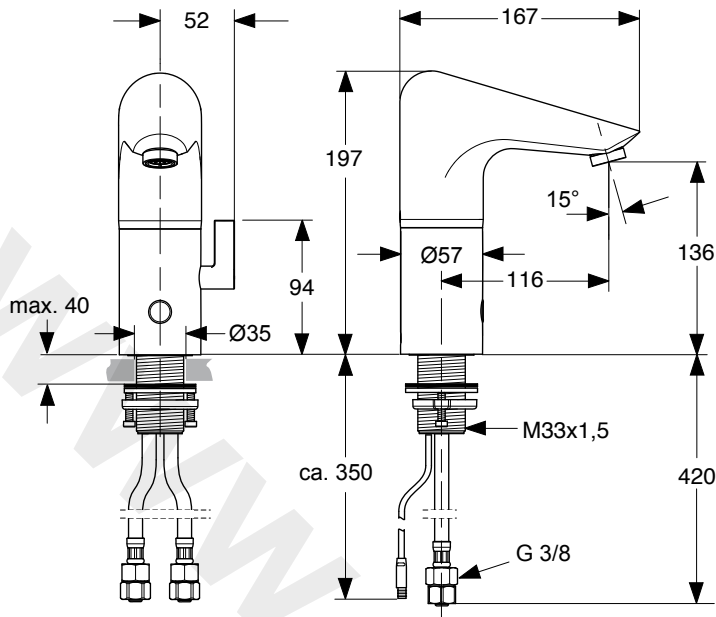


Produced from: Febr. 2008

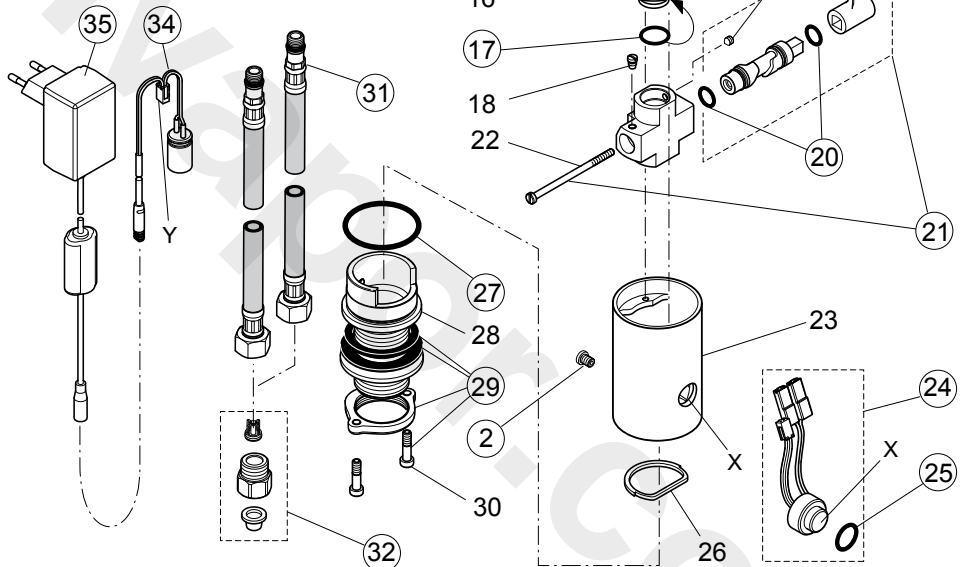


Basin Spout Electronic  
with Temperature control  
with Battery  
chrome

**A4152AA**

Basin Spout Electronic  
with Temperature control  
with 230V Power Supply  
chrome

**A4154AA**



Pos.	Description	Part-Number	Qty.	Pos.	Description	Part-Number	Qty.
1	Body ( Electr. spout )			19	Thread pin M5 x 6	<b>A 963 667 NU</b>	1 pcs
2	Set screw M6	<b>A 960 201 AA</b>	1 pcs	20	O - Ring 11 x 1,5	<b>A 962 218 NU</b>	2 pcs
3	Aerator M24x1 complete	<b>B 960 457 AA</b>	1 pcs	21	Temperature control cpl.	<b>A 962 219 AA</b>	1 pcs
4	Aerator key			22	Cylindrical screw M4x71,7	<b>A 963 525 NU</b>	3 pcs
5	Battery 6V CR-P2	<b>A 960 161 NU</b>	1 pcs	23	Extension spout		
6	Non-return valve	<b>A 962 099 NU</b>	1 pcs	24	Sensor complete + Pos.25	<b>A 960 219 NU</b>	1 pcs
7	Cylindrical screw M3x10 DIN912			25	O - Ring Ø 15,6 x 1,78	<b>A 961 182 NU</b>	2 pcs
8	Battery holder			26	Sensor holder ( tin )		
9	Cylindrical screw M4x6	<b>A 963 103 NU</b>	2 pcs	27	O - Ring Ø 36 x 2	<b>A 961 335 NU</b>	1 pcs
10	Magnet valve + Pos.9	<b>A 960 151 NU</b>	1 pcs	28	Shaft M33 x 1,5		
11	Thread pin M6x8 DIN913	<b>A 963 752 NU</b>	2 pcs	29	Fixation-Set Universal	<b>A 960 486 NU</b>	1 Set
12	Cylindrical screw M4x20	<b>A 963 544 NU</b>	4 pcs	30	Cylindrical Screw M5 x 20 DIN7985		
13	O - Ring Ø 46 x 1	<b>A 962 213 NU</b>	1 pcs	31	Flex. hose M10x1-G3/8	<b>A 963 600 NU</b>	1 pcs
14	Nipple M8x1 complete	<b>A 962 214 NU</b>	1 pcs	32	Non-return valve complete	<b>A 962 215 AA</b>	1 pcs
15	Set screw w. O-Ring Ø5x1			33	Adapter (for A4154AA only)		
16	Body ( magnet valve )			34	Cable plug (f. A4154AA)	<b>A 962 216 NU</b>	1 pcs
17	O - Ring Ø 14 x 1,78	<b>A 962 605 NU</b>	2 pcs	35	Power supply / Input 100 - 240V AC / 50 - 60Hz		
18	Peg screw	<b>A 961 183 NU</b>	1 pcs		Output 6V DC / 1,0A	<b>A 962 217 NU</b>	1 pcs