

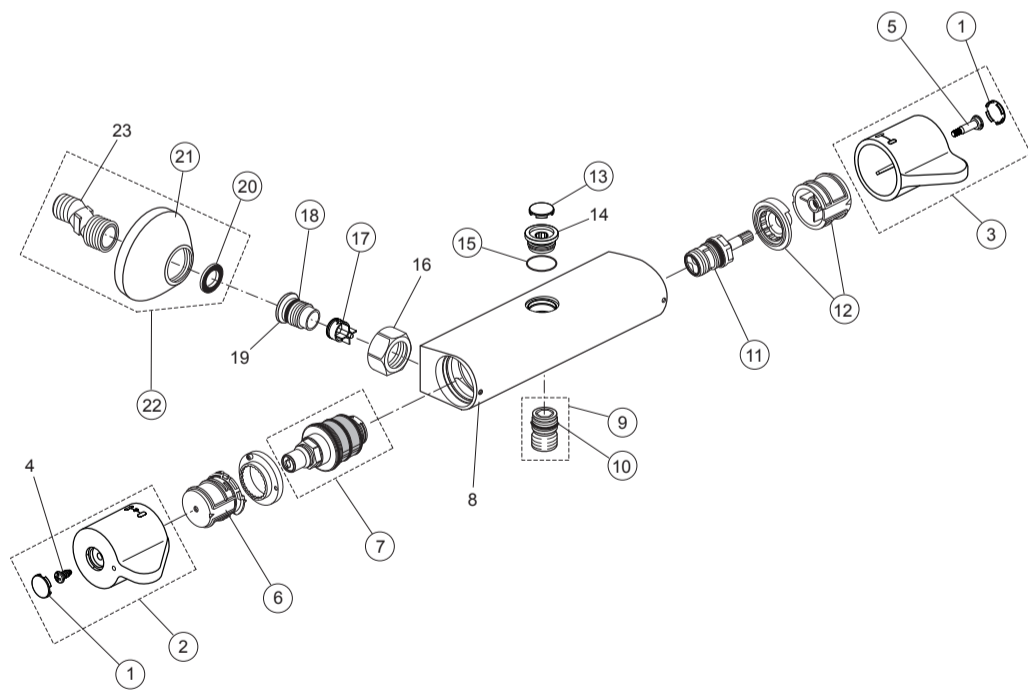
CONDITIONS FOR NORMAL USE

Table 1 Supply conditions for normal use

Operating Pressure Range	High Pressure	Low Pressure
Maximum static pressure (bar)	10	10
Flow pressure hot and cold (bar)	1.0 to 5.0	0.2 to 1.0
Cold supply temperature (C°)	5 to 20	5 to 20
Hot supply temperature (C°)	52 to 65	52 to 65
Temperature differential characteristic (TDC) (C°)	10	10
Flowrate	20.5 l/min (1.0bar)	



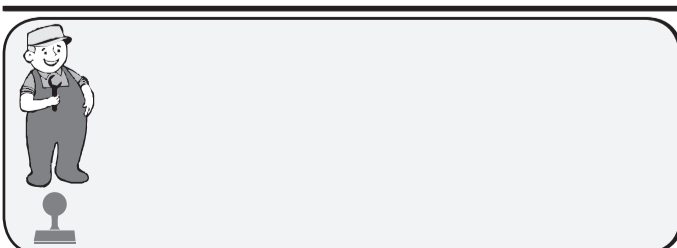
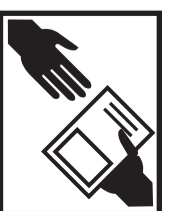
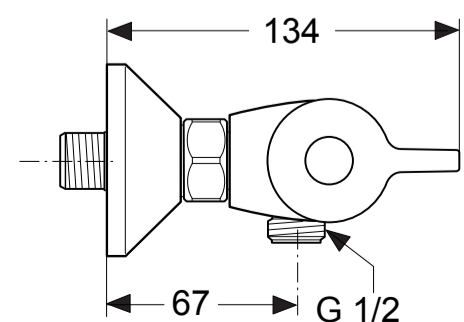
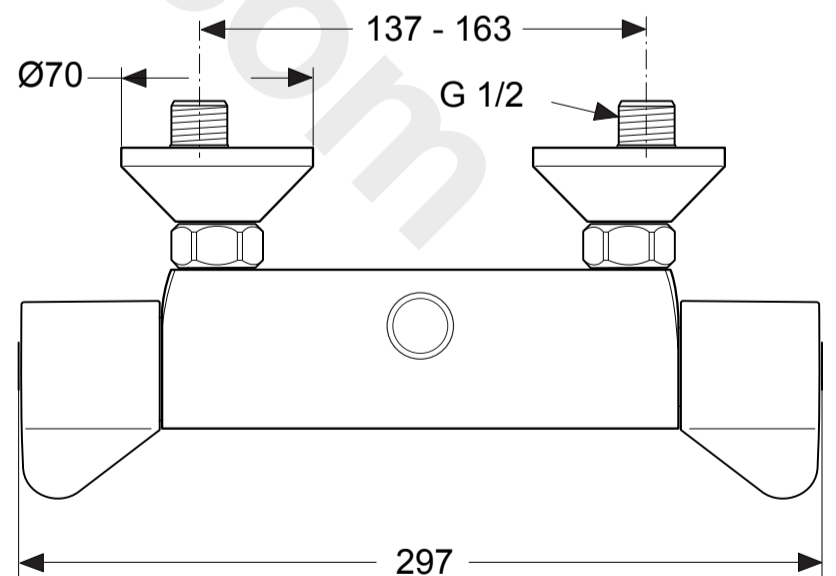
Spare Parts / Ersatzteile / Pièces de recharge / Pezzi di Ricambio / Piezas de requesto /
 Parte de reposição / Reserveonderdelen / Reservdelar / Reservedeler / Varaosat /
 Vraosat / Varahlutir / Ανταλλακτικά / Yedek Parçalar / Náhradní díly / Náhradné diely /
 Nadomestni deli / Резервни части / Запчасти / Części Zapasowe / Piese de schimb
 / Rendelhető alkatrészek / Запасні частини / Reservni delovi / Резервни делови /
 Резервни делови / Atsarginių dalių / Tellitavad varuosad / Rezervju daju



*Armitage
Shanks*

CONTOUR 21
A 4127 ..

0512 / A 866 459
(+ A 865 708)
Made in Germany



Ideal Standard International BVBA
 Chaussée de Wavre, 1789 - box 15
 1160 Bruxelles
 Belgium

www.idealstandardinternational.com

