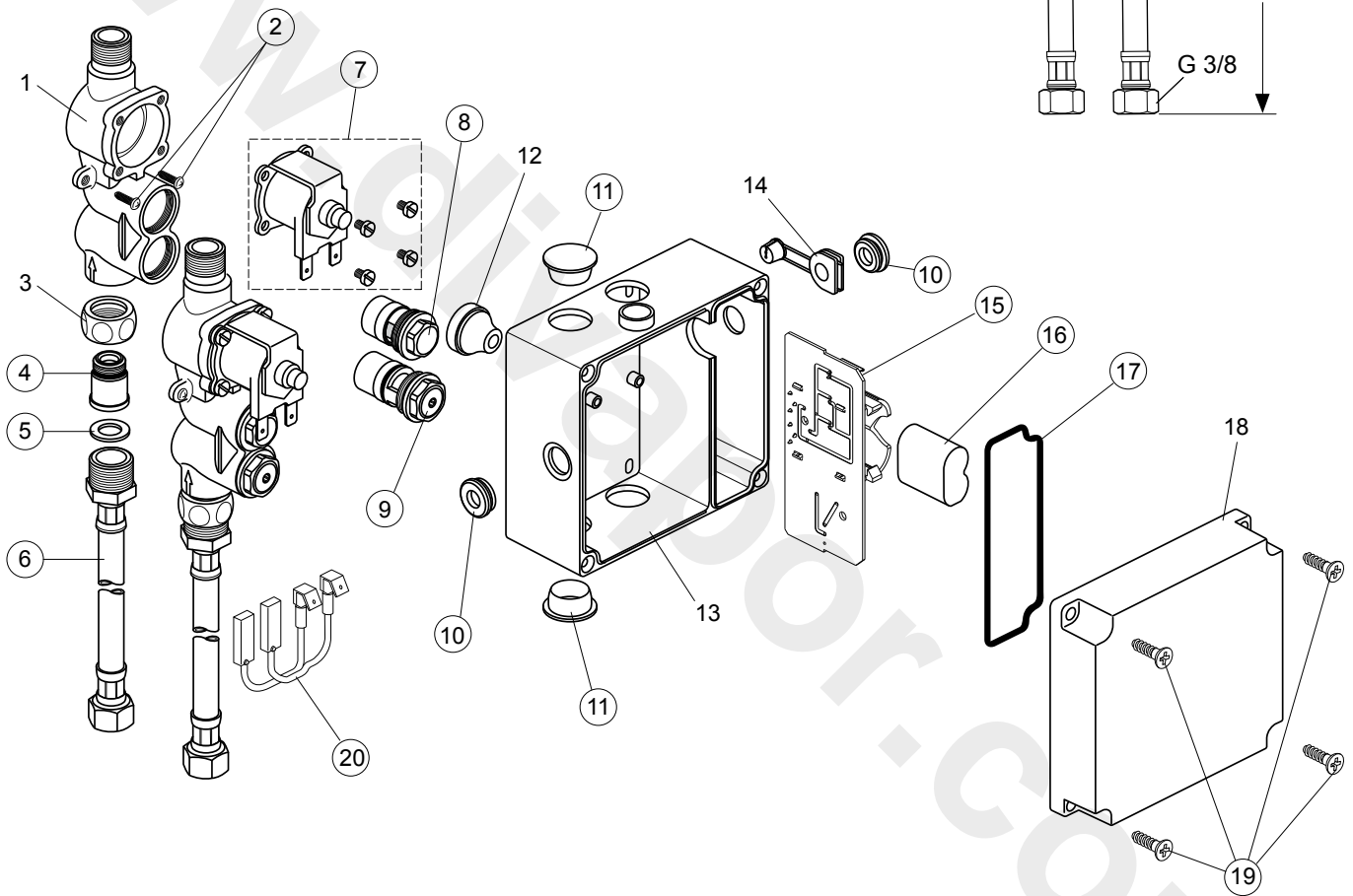
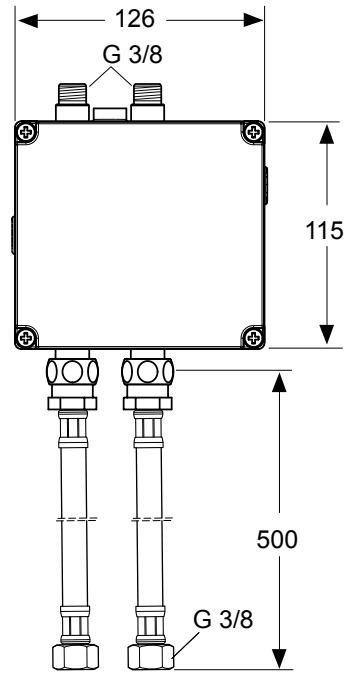


Produced from:

Electronic Box Lavy
with Battery

A3810NU

needed for A4155.. A4156.. A4157.. A4158..



Pos.	Description	Part-Number	Qty.	Pos.	Description	Part-Number	Qty.
1	Body (Electronic fittings)			12	Cable sealing		
2	Ejot-PT Screw KB 35x12	A 960 152 NU	4 pcs	13	Control box		
3	Coupling nut			14	Cable sealing special		
4	O - Ring Ø 12,42 x 1,78	A 961 332 NU	2 pcs	15	PC Board (Battery DC)	A 960 158 NU	1 pcs
5	Fibre ring Ø 18/12 x 1	A 961 784 NU	2 pcs	16	Battery 6V CR-P2	A 960 161 NU	1 pcs
6	Flex. hose G1/2 x G3/8	A 960 223 NU	1 pcs	17	Sealing frame	A 960 360 NU	1 pcs
7	Magnet valve with screws	A 960 151 NU	1 pcs	18	Cover		
8	Filter complete	A 960 213 NU	1 pcs	19	Ejot-PT Screw KB 50x16	A 962 748 NU	4 pcs
9	Check stop valve	A 960 350 NU	1 pcs	20	Cable set	A 960 378 NU	1 pcs
10	Cable sealing	A 960 155 NU	2 pcs				
11	Plug	A 960 354 NU	2 pcs				