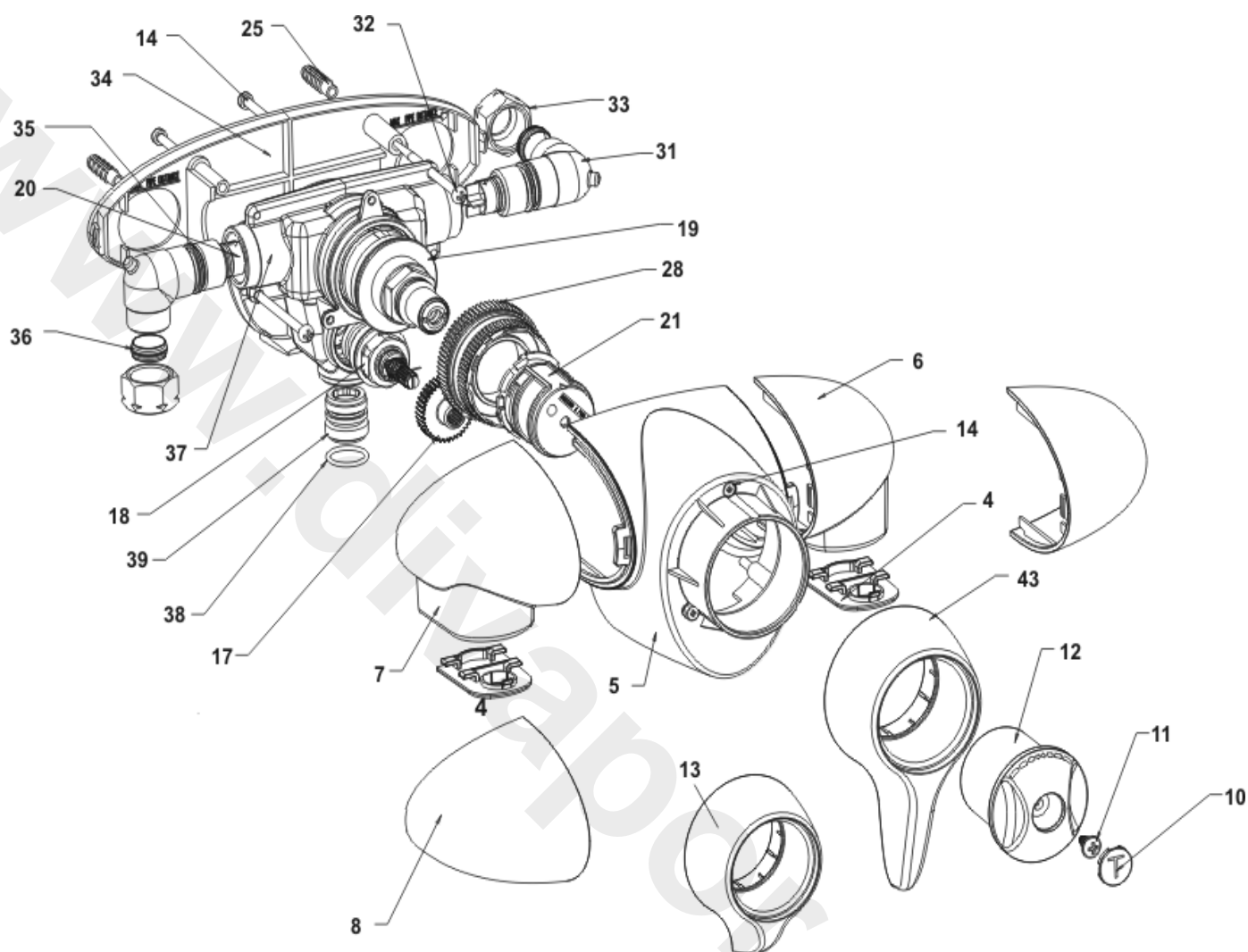


TREVI

CTV

A3101AA CHROME Concentric Thermostatic Valve Exposed



L6737AA = CHROME TREVI CONCENTRIC EXP + KIT

Trevi FAQ	Installation Instructions			
-----------	---------------------------	--	--	--

Ref.	Description	D	Part No.
5	CTV EXPOSED COVER BODY	-	A923720AA
4	CTV ELBOW COVER PIPE SLIP	-	A923725AA
6	CTV RH ELBOW COVER (VIEWED PIPE RISING)	-	A923722AA
7	CTV LH ELBOW COVER (VIEWED PIPE RISING)	-	A923723AA
8	CTV BACK INLET ELBOW COVER	-	A952252AA
10	CTV HANDLE COVER CAP	-	A907294LJ
11	SCREW TREVI TEMP CONTROL HANDLE	-	A918416
12	CTV TEMPERATURE HANDLE	-	A908635AA
13	CTV VOLUME CONTROL HANDLE	-	A908636AA
14	SCREW M4 25MM	-	A918492
17	CTV FLOW CONTROL DRIVE GEAR	-	A923710
18	3/4IN I-S RUBBER VALVE CW SCREW	-	A954730
19	THERMOSTATIC CONTROL CARTRIDGE CHROME	-	S960134NU
20	CHECK VALVE	-	A954738

21	TEMPERATURE ADJUSTMENT CARRIER (9539	-	A953957NU11
28	CTV VOLUME HANDLE GEARED CARRIER	-	A923711
32	REAR COVERPLATE FIXING SCREW (SING	-	A918393
34	CTV EXPOSED BACK PLATE	*	A923727LJ
31	SLIDING CONNECTING ELBOW	-	A92190920
35	O-RING 18X2	*	A962869NU
38	O RING	*	A912621
39	CTV SIZE 1/2 OUTLET NIPPLE	-	E921671AA
41	ISOLATING VALVE/STRAINER/FLOW LIMITER	-	E960086NU
41a	ST/STEEL FILTERS/STRAINER TREVI SPARE	-	E960316NU
42	FLOW CONTROL WASHER	*	-
43	CTV LONG FLOW CONTROL LEVER	-	A908632AA
52	FLOW REGULATOR 4L/MIN	-	E960114NU
53	FLOW REGULATOR 8L/MIN	-	E960113NU

NB -- colour/finish options:

FLOW REGULATORS

If the installed Boiler is pre 1996 send the smaller 4 litre (PINK) version, Otherwise the larger 8 litre (WHITE)flow regulator is required. As a general rule of thumb, it can be noted that only partially modulating boilers may require these.

[Edit History](#)

www.divapor.com