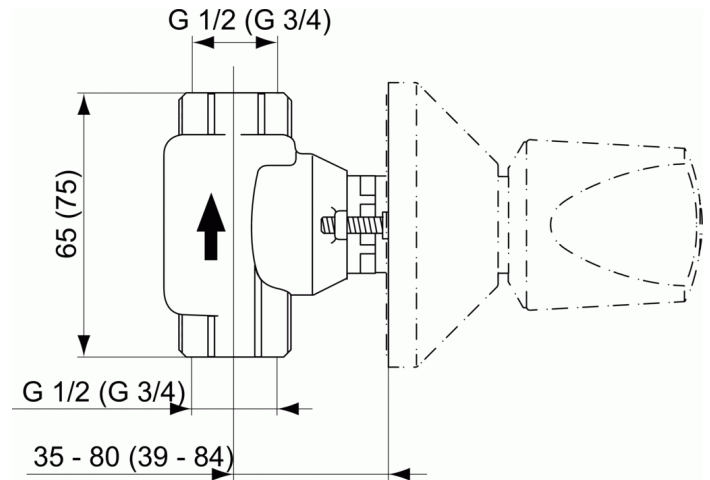
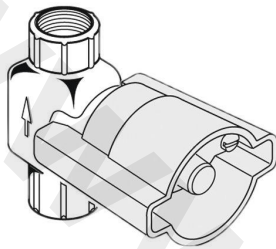


## BUILT-IN PARTS

### Built-in valve internal part



#### Built-in valve internal part

Built in KIT1 stop valve, for G3/4 connection and rubber valve G3/4

#### FINISHES\*



NU

\* NU = Neutral