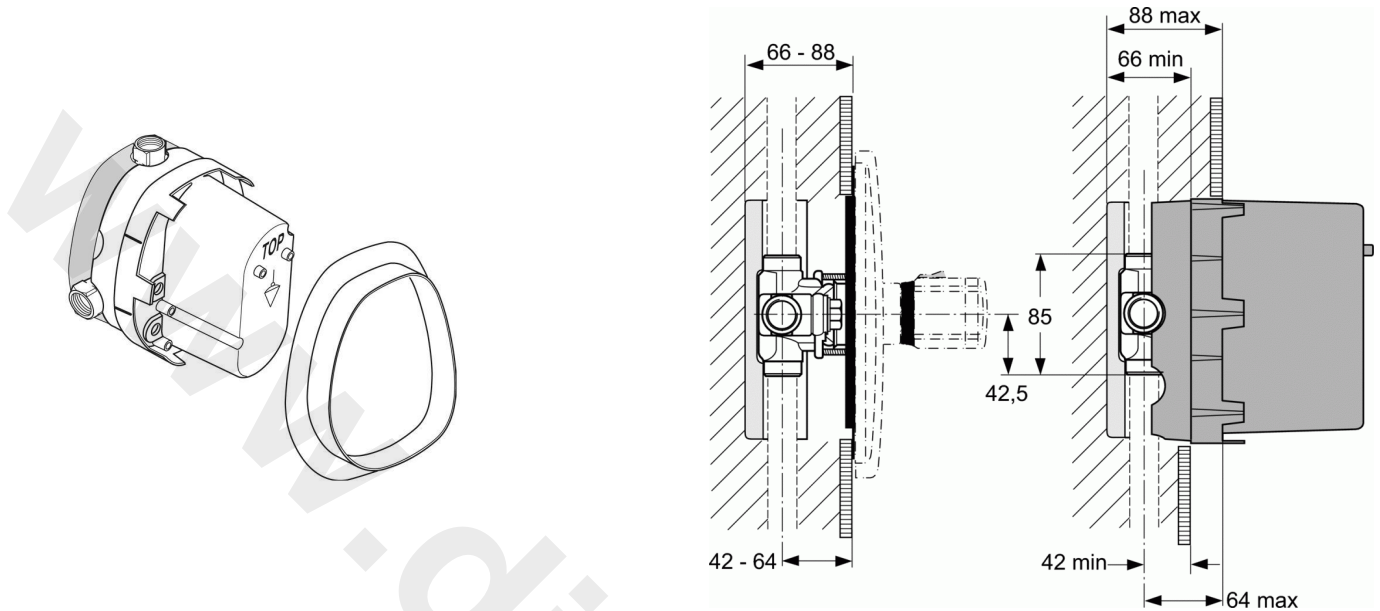


BUILT-IN PARTS

Central Thermostat mixer built-in part



Central Thermostat mixer built-in part

Central built-in KIT1 thermostat, IS Thermostat cartridge with membran technology, G1/2 connection thread to the water supply system

RECOMMENDED

Extension for Central UP Thermostatic Kit 2
Spacer frame for Central UP Thermostatic Kit 2

A963434
A963436

FINISHES*

■ NU

* NU = Neutral