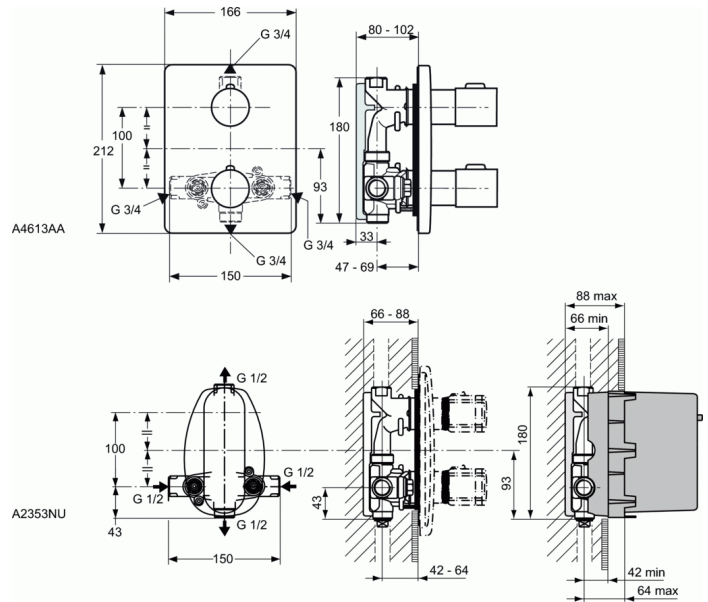
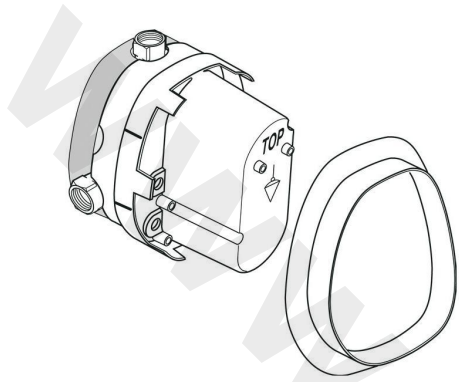


BUILT-IN PARTS

Individual thermostat built-in Kit1



Individual thermostat built-in Kit1

Individual built-in KIT1 thermostat, IS Thermostat cartridge with membran technology and ceramic valve G1/2 180°, G1/2" connection thread

RECOMMENDED

- Extension for Central UP Thermostatic Kit 2
- Spacer frame for Central UP Thermostatic Kit 2

- A963434
- A963436

FINISHES*



* NU = Neutral