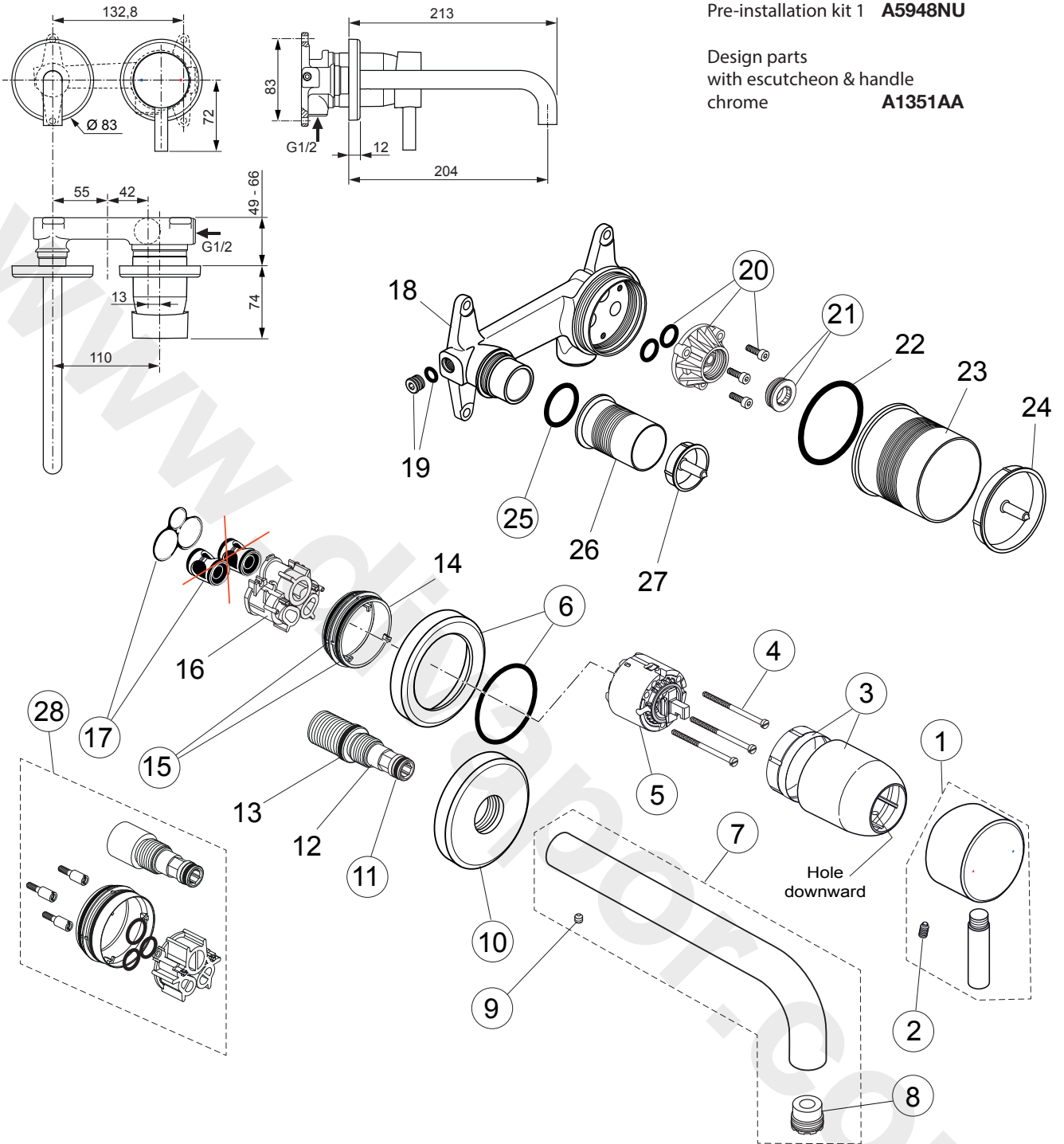


Produced from: **May 2019**

Pre-installation kit 1 **A5948NU**

Design parts
with escutcheon & handle
chrome **A1351AA**



| Pos. | Description | Part-Number | Qty. | Pos. | Description | Part-Number | Qty. |
|------|--|----------------------|-------|------|---|---------------------|-------|
| 1 | Lever cpl. with print R/B | A 861 365 AA | 1 Set | 15 | O - ring $\varnothing 47,3 \times 1,78$ | A 963 526 NU | 2 pcs |
| 2 | Thread pin M5x6 / M4x6 | A 963 667 NU | 1 Set | 16 | Plastic insert | | |
| 3 | Cover cap + clamping ring | A 960 364 AA* | 1 Set | 17 | Low noise insert complete | A 963 524 NU | 1 Set |
| 4 | Cylindrical screw M4x69 | A 963 783 NU | 3 pcs | 18 | Body (built-in) | | |
| 5 | Cartridge | A 960 500 NU* | 1 Set | 19 | Superior block M10x1 | | |
| 6 | Escutcheon $\varnothing 83\text{mm}$ | | | 20 | Flushing device complete | F 960 881 NU | 1 Set |
| 7 | Spout 204mm projection | A 861 366 AA | 1 pcs | 21 | Plug with o-ring | A 963 548 NU | 1 pcs |
| 8 | Aerator M16,5x1 1GPM | A 860 938 NU | 1 Set | 22 | O - ring $\varnothing 54 \times 2,5$ | | |
| 9 | Thread pin M4x4 DIN916 | A 962 270 NU | 1 pcs | 23 | Plaster guard for cartridge | | |
| 10 | Escutcheon $\varnothing 83\text{mm}$ spout | F 960 967 AA | 1 pcs | 24 | Cover for pos. 24 | | |
| 11 | O - ring $\varnothing 10 \times 2$ | A 963 495 NU | 2 pcs | 25 | O - ring $\varnothing 26 \times 2,5$ | A 860 845 NU | 1 pcs |
| 12 | Connector spout | | | 26 | Plaster guard for spout | | |
| 13 | O - ring $\varnothing 19 \times 2,5$ | | | 27 | Cover for pos. 26 | | |
| 14 | Plastic ring | | | 28 | Extension kit 20mm longer | F 960 866 NU | 1 Set |

* Universal-Set (not all parts needed)