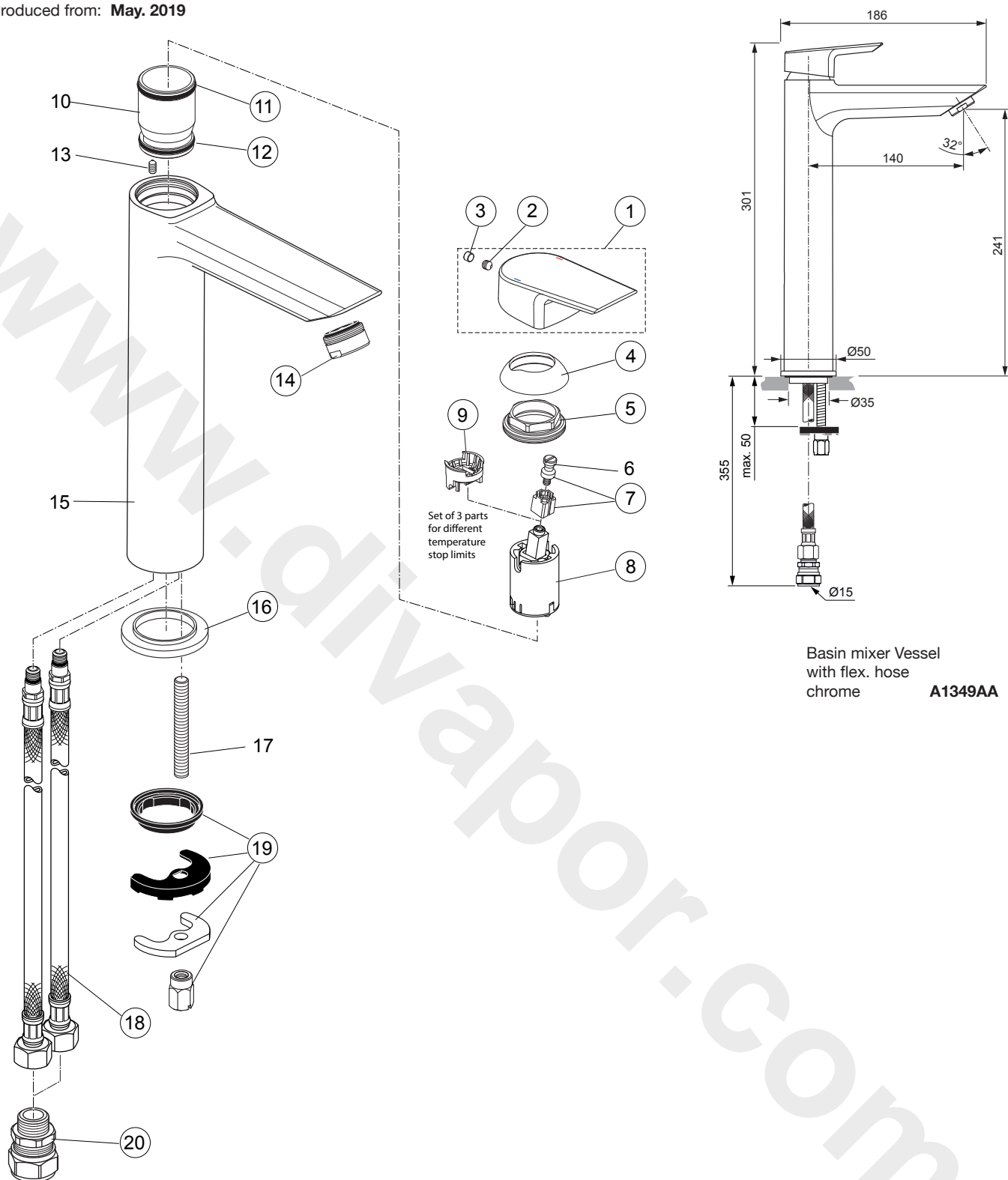


Produced from: May. 2019



Basin mixer Vessel  
with flex. hose  
chrome **A1349AA**

Pos.	Description	Part-Number	Qty.	Pos.	Description	Part-Number	Qty.
1	Lever cpl. with print R/B	<b>A 861 362 AA</b>	1 Set	12	O - Ring Ø 26,7 x 1,78	<b>A 962 825 NU</b>	1 pcs
2	Thread pin M5x6 DIN914	<b>A 860 603 NU</b>	1 pcs	13	Thread pin M4 x 8 ISO 4027		
3	Handle plug	<b>A 963 751 NU</b>	1 pcs	14	Aerator M24x1 - 1,0 gpm	<b>B 960 883 AA</b>	1 pcs
4	Cover cap	<b>F 960 975 AA</b>	1 pcs	15	Body		
5	Thread ring M36x1	<b>B 961 087 NU</b>	1 pcs	16	Escutcheon	<b>B 960 712 AA</b>	1 pcs
6	Handle screw M4			17	Bolt M8x77		
7	Lever adapter + screw	<b>A 860 892 NU</b>	1 Set	18	Flex. hose M10x1-G3/8-550	<b>A 963 685 NU</b>	1 pcs
8	Cartridge Kerox Ø28 + Pos.7	<b>F 960 855 NU</b>	1 Set	19	Fixation kit	<b>A 964 520 NU*</b>	1 Set
9	Hot water limiter - 3 parts	<b>B 961 088 NU</b>	1 Set	20	Connector G3/8 D15	<b>B 960 845 NU</b>	2 pcs
10	Manifold						
11	O - Ring Ø 28 x 2	<b>A 963 299 NU</b>	1 pcs				

\*Universal set (not all parts needed)