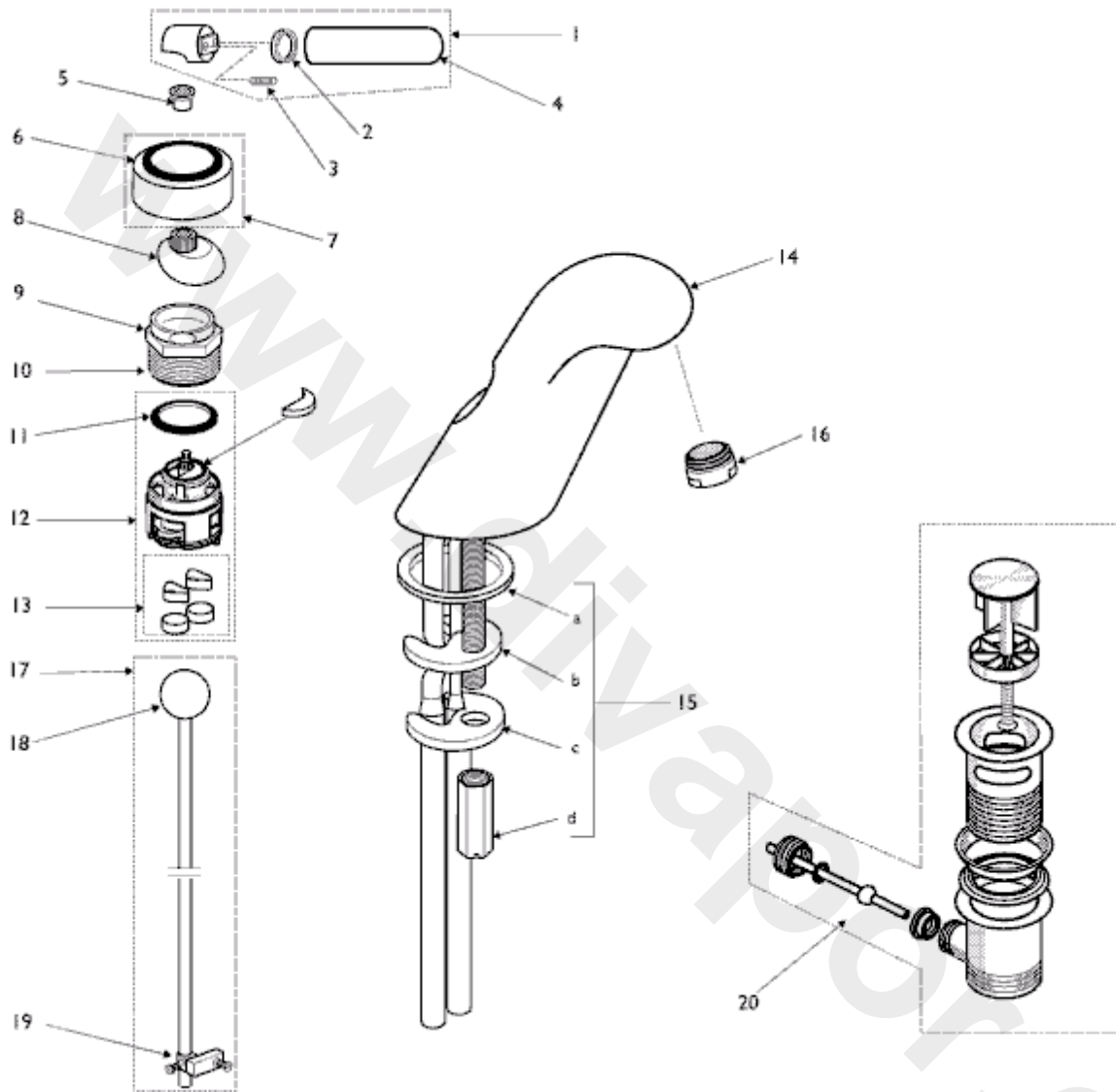


<p>



Ref.	Description	Part No.
1	Handle complete	A960698--
2	Red/blue ring	A961860NU
3	Pair small screws	A962938NU
4	Handle cover only	A962581--
5	Lock nut	A962939NU
6	Shroud washer	-
7	Shroud complete	A962941--
8	Cartridge cover	A962942--
9	Cartridge retaining nut	A906068AT
10	'O' ring	-
11	'O' ring	A962715NU
12	Cartridge complete	A951970NU11
12a	Crescent shaped temperature limit stop	A962984NU
13	Cartridge seals	-
14	Body	-
15	Fixing set	A962987NU
16	Neoperl - insert (HP)	A923787--
16a	Flow regulator (LP)	A961625--
17	Pop-up rod complete	A961874--
18	Knob for pop-up rod	-
19	Pop-up rod fixing clip	A963404NU
20	Pop-up waste complete	E950612--

**NB -- colour/finish options**

[www.divapor.com](http://www.divapor.com)