

## Finoris

Single lever shower mixer for exposed installation 2 ticks

Finish: **Matt Black** Article Number: **76620679**



### Description

#### product features

- 1 function
- centre distance:  $150 \pm 12$  mm
- flow rate of hand shower at 3 bar: 5,9 l/min
- ceramic cartridge
- non-return valve
- with silencer
- hose connection DN15
- connection dimension: DN15
- min. operating pressure: 1 bar
- max. operating pressure: 10 bar
- connection type: s-shaped connections

### Design awards



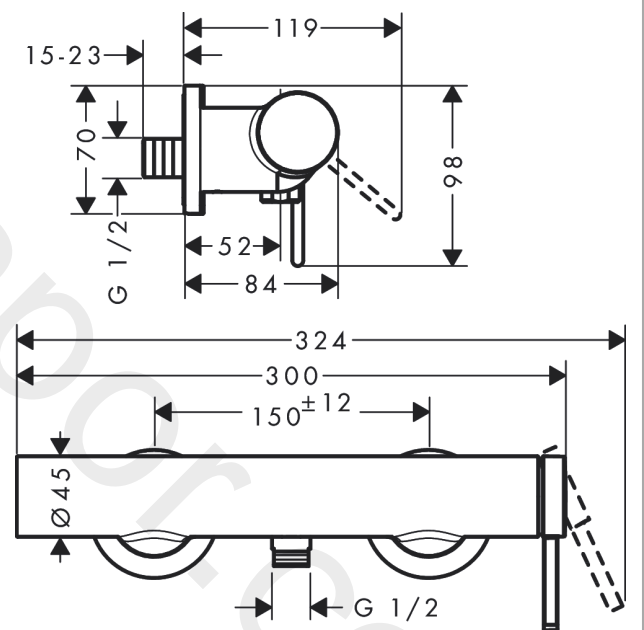
reddot winner 2021



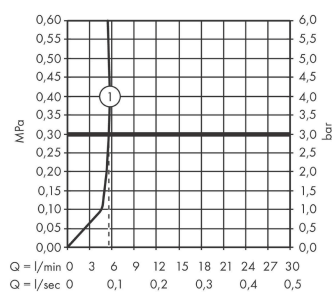
### Product image



### Scale drawing



### Flowchart

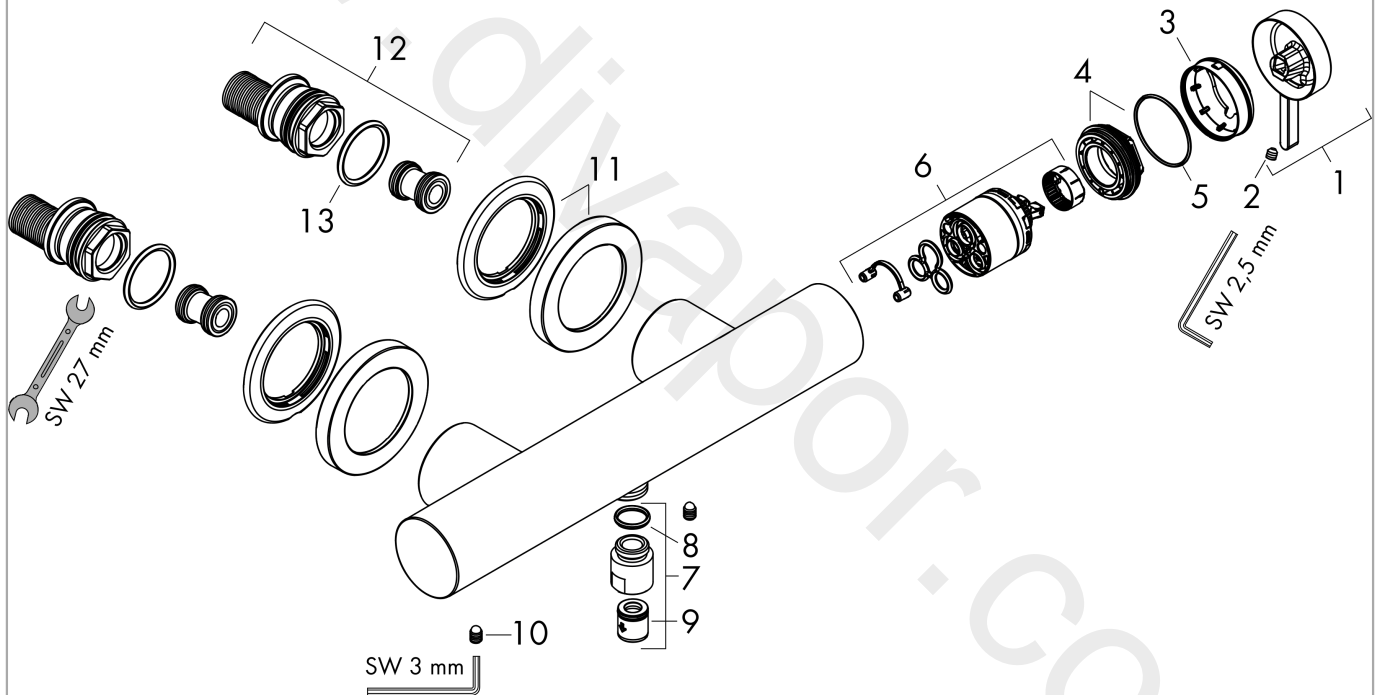


**Finoris**  
**Single lever shower mixer for exposed installation 2 ticks**  
 Finish: **Matt Black** Article Number: **76620679**



**Exploded Drawing**

Year of production: >08/21



**Finoris****Single lever shower mixer for exposed installation 2 ticks**Finish: **Matt Black** Article Number: **76620679****Spare part list**

Year of production: &gt;08/21

Pos.	Description	Article Number	Price	PU
1	handle	94371670	£ 76,00	1
2	hollow set screw M5x5	98446000	£ 3,30	1
3	flange	94370670	£ 64,00	1
4	nut	93995000	£ 25,00	1
5	O-ring 35x1,5	92114000	£ 6,10	1
6	cartridge, assy	93895000	£ 79,00	1
7	connecting thread	95392000	£ 20,50	1
8	O-ring 14x2	98129000	£ 3,30	1
9	non return valve	92839000	£ 16,10	1
10	screw	94366000	£ 13,30	1
11	escutcheon Ø 70 mm	94365670	£ 76,00	1
12	set of S-unions	95772000	£ 96,00	1
13	O-ring 29x3	98371000	£ 6,10	1