

**Finoris**  
**Single lever shower mixer for exposed installation**  
 Finish: **Matt Black** Article Number: **76620670**



### Description

#### product features

- 1 function
- centre distance: 150 ± 12 mm
- maximum flow rate at 3 bar: 12,1 l/min
- flow rate of hand shower at 3 bar: 12,1 l/min
- ceramic cartridge
- non-return valve
- with silencer
- suitable for continuous flow water heaters
- hose connection DN15
- connection dimension: DN15
- min. operating pressure: 1 bar
- max. operating pressure: 10 bar
- connection type: s-shaped connections

### Article Details

Price excl. VAT 332,50 £

### Design awards

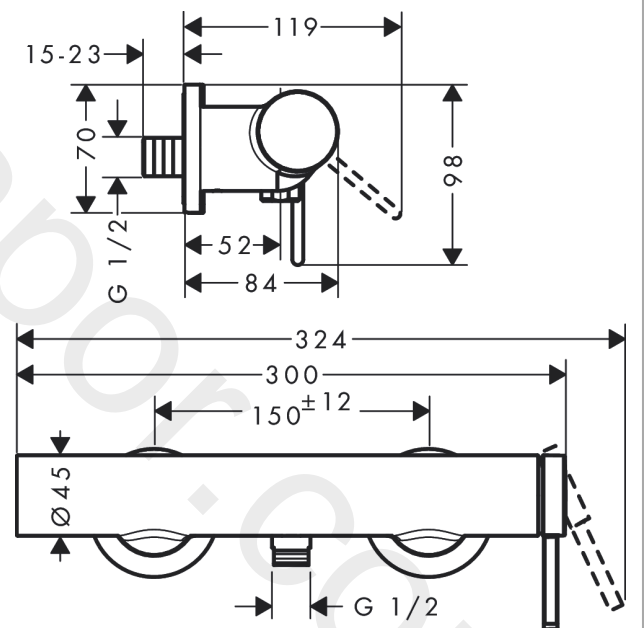


reddot winner 2021

### Product image



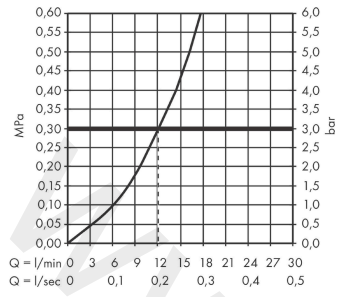
### Scale drawing



**Finoris**  
**Single lever shower mixer for exposed installation**  
 Finish: **Matt Black** Article Number: **76620670**



**Flowchart**



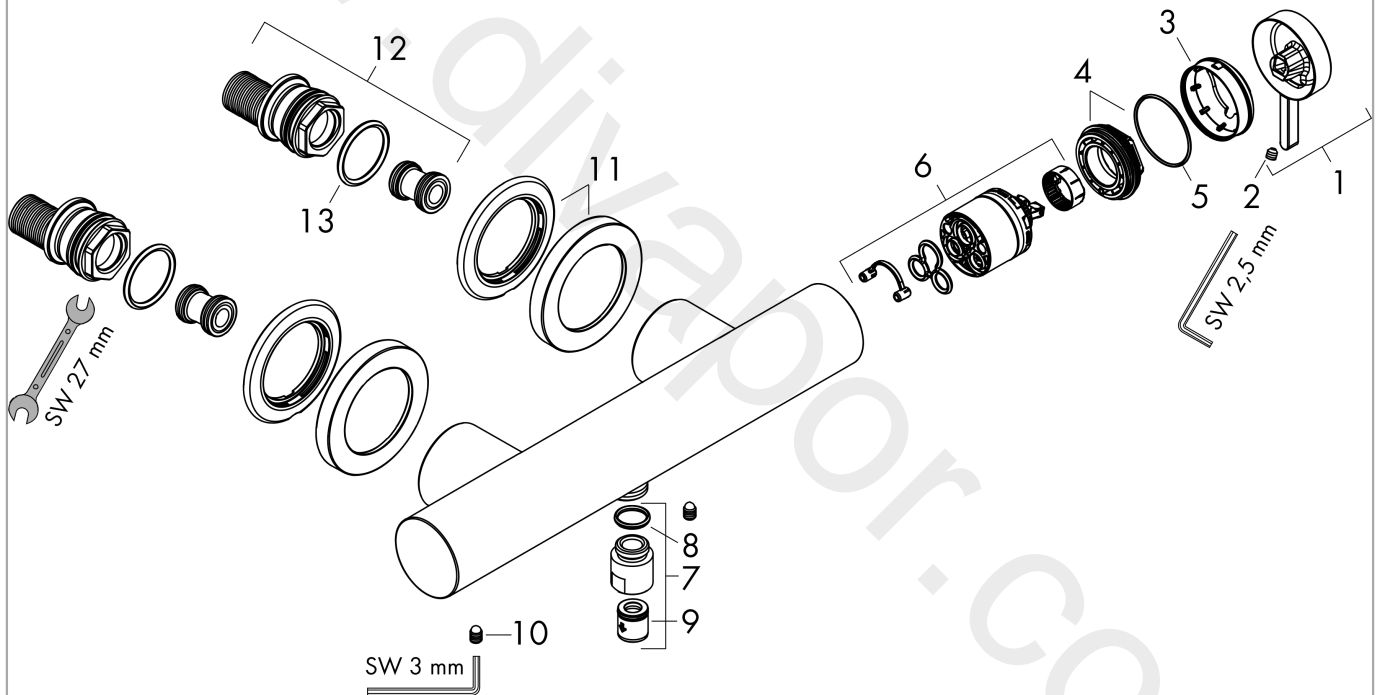
www.divapor.com

**Finoris**  
**Single lever shower mixer for exposed installation**  
 Finish: **Matt Black** Article Number: **76620670**



**Exploded Drawing**

Year of production: >06/21



**Finoris****Single lever shower mixer for exposed installation**Finish: **Matt Black** Article Number: **76620670****Spare part list**

Year of production: &gt;06/21

Pos.	Description	Article Number	Price	PU
1	handle	94371670	£ 76,00	1
2	hollow set screw M5x5	98446000	£ 3,30	1
3	flange	94370670	£ 64,00	1
4	nut	93995000	£ 25,00	1
5	O-ring 35x1,5	92114000	£ 6,10	1
6	cartridge, assy	93895000	£ 79,00	1
7	connecting thread	95392000	£ 20,50	1
8	O-ring 14x2	98129000	£ 3,30	1
9	set of non return valves DW 15	94074000	£ 16,10	1
10	screw	94366000	£ 13,30	1
11	escutcheon Ø 70 mm	94365670	£ 76,00	1
12	set of S-unions	95772000	£ 96,00	1
13	O-ring 29x3	98371000	£ 6,10	1