

Finoris

Single lever shower mixer for exposed installation 2 ticks

Finish: **Chrome** Article Number: **76620009**



Description

product features

- 1 function
- centre distance: 150 ± 12 mm
- flow rate of hand shower at 3 bar: 5,9 l/min
- ceramic cartridge
- non-return valve
- with silencer
- hose connection DN15
- connection dimension: DN15
- min. operating pressure: 1 bar
- max. operating pressure: 10 bar
- connection type: s-shaped connections

Design awards



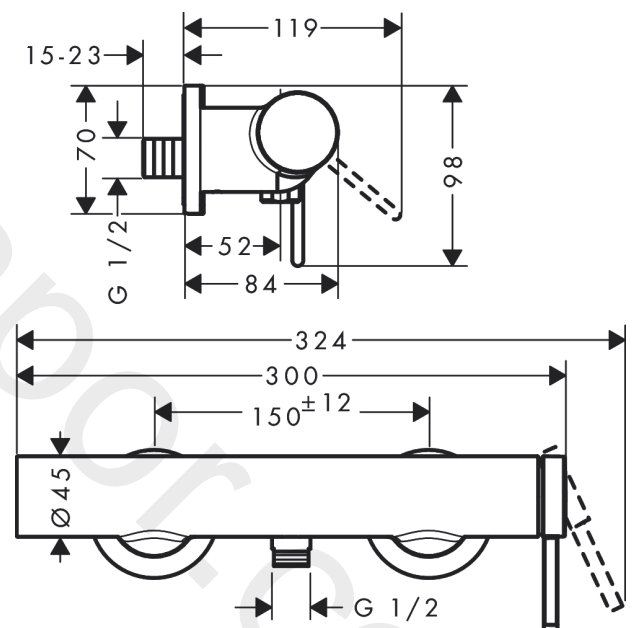
reddot winner 2021



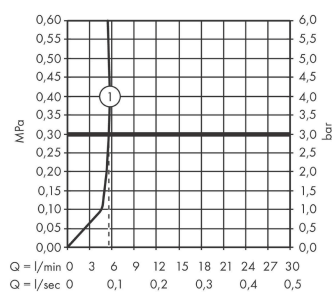
Product image



Scale drawing



Flowchart

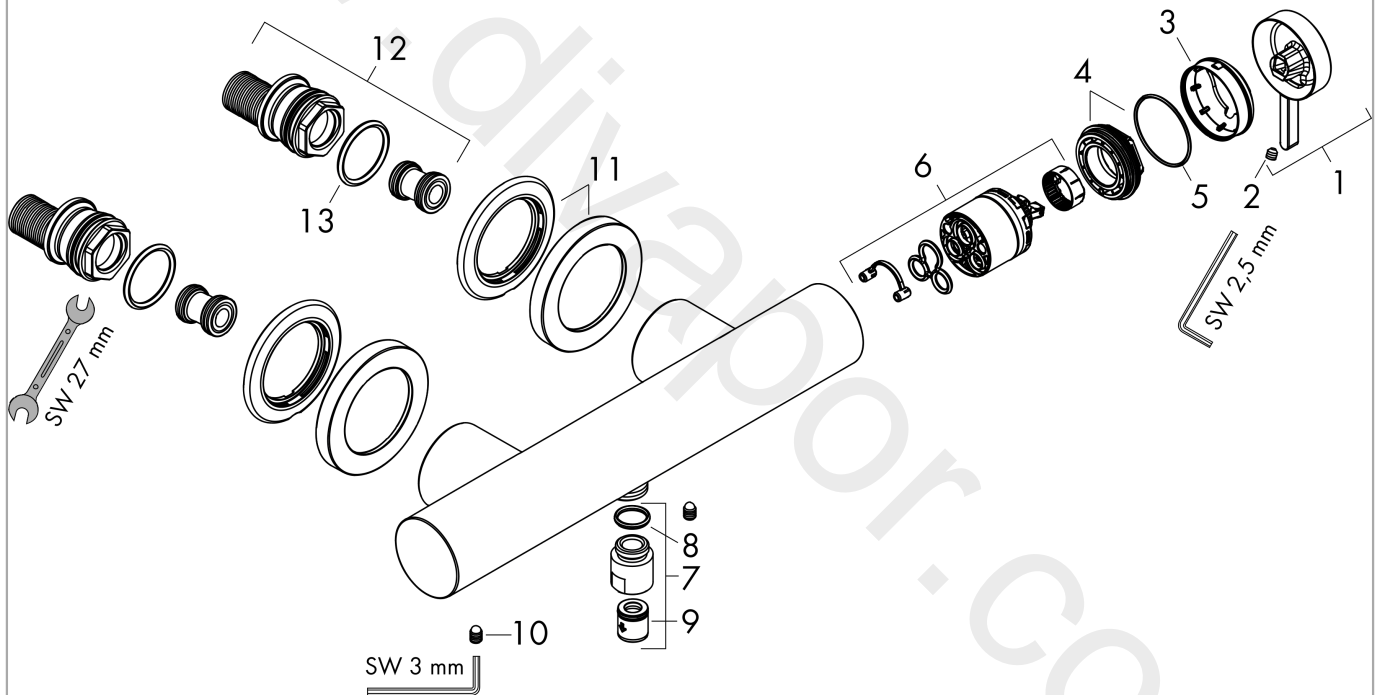


Finoris
Single lever shower mixer for exposed installation 2 ticks
 Finish: **Chrome** Article Number: **76620009**



Exploded Drawing

Year of production: >08/21



Finoris**Single lever shower mixer for exposed installation 2 ticks**Finish: **Chrome** Article Number: **76620009****Spare part list**

Year of production: >08/21

Pos.	Description	Article Number	Price	PU
1	handle	94371000	£ 51,00	1
2	hollow set screw M5x5	98446000	£ 3,30	1
3	flange	94370000	£ 43,00	1
4	nut	93995000	£ 25,00	1
5	O-ring 35x1,5	92114000	£ 6,10	1
6	cartridge, assy	93895000	£ 79,00	1
7	connecting thread	95392000	£ 20,50	1
8	O-ring 14x2	98129000	£ 3,30	1
9	non return valve	92839000	£ 16,10	1
10	screw	94366000	£ 13,30	1
11	escutcheon Ø 70 mm	94365000	£ 51,00	1
12	set of S-unions	95772000	£ 96,00	1
13	O-ring 29x3	98371000	£ 6,10	1