

## Finoris

### 4-hole rim mounted bath mixer with sBox

Finish: **Chrome** Article Number: **76444000**



#### Description

##### product features

- consists of: 4-hole rim mounted bath mixer, hand shower, shower holder, shower hose, hose box
- 2 functions
- projection: 152 mm
- spray type mixer: normal spray
- spray type hand shower: PowderRain
- maximum pull-out length of hand shower: 1,45 m
- sBox for quiet, smooth and protected hose guidance
- maximum flow rate at 3 bar: 23,5 l/min
- flow rate for bath spout at 3 bar: 23,5 l/min
- flow rate of hand shower at 3 bar: 10,2 l/min
- ceramic valves hot/cold 90°
- non-return valve
- connection dimension: DN15
- connection type: basic set
- installation on bath rim
- min. operating pressure: 1 bar
- max. operating pressure: 10 bar

#### Article Details

Price excl. VAT

783,33 £

#### Technology



#### Design awards



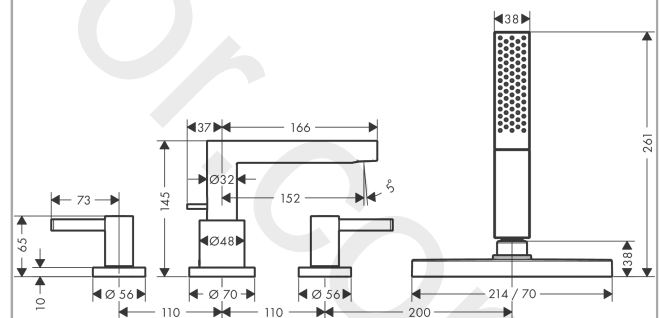
reddot winner 2021



#### Product image



#### Scale drawing



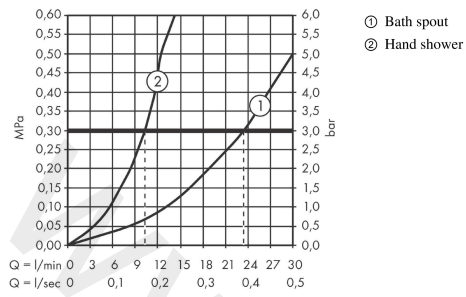
**Finoris**

**4-hole rim mounted bath mixer with sBox**

Finish: **Chrome** Article Number: **76444000**



**Flowchart**



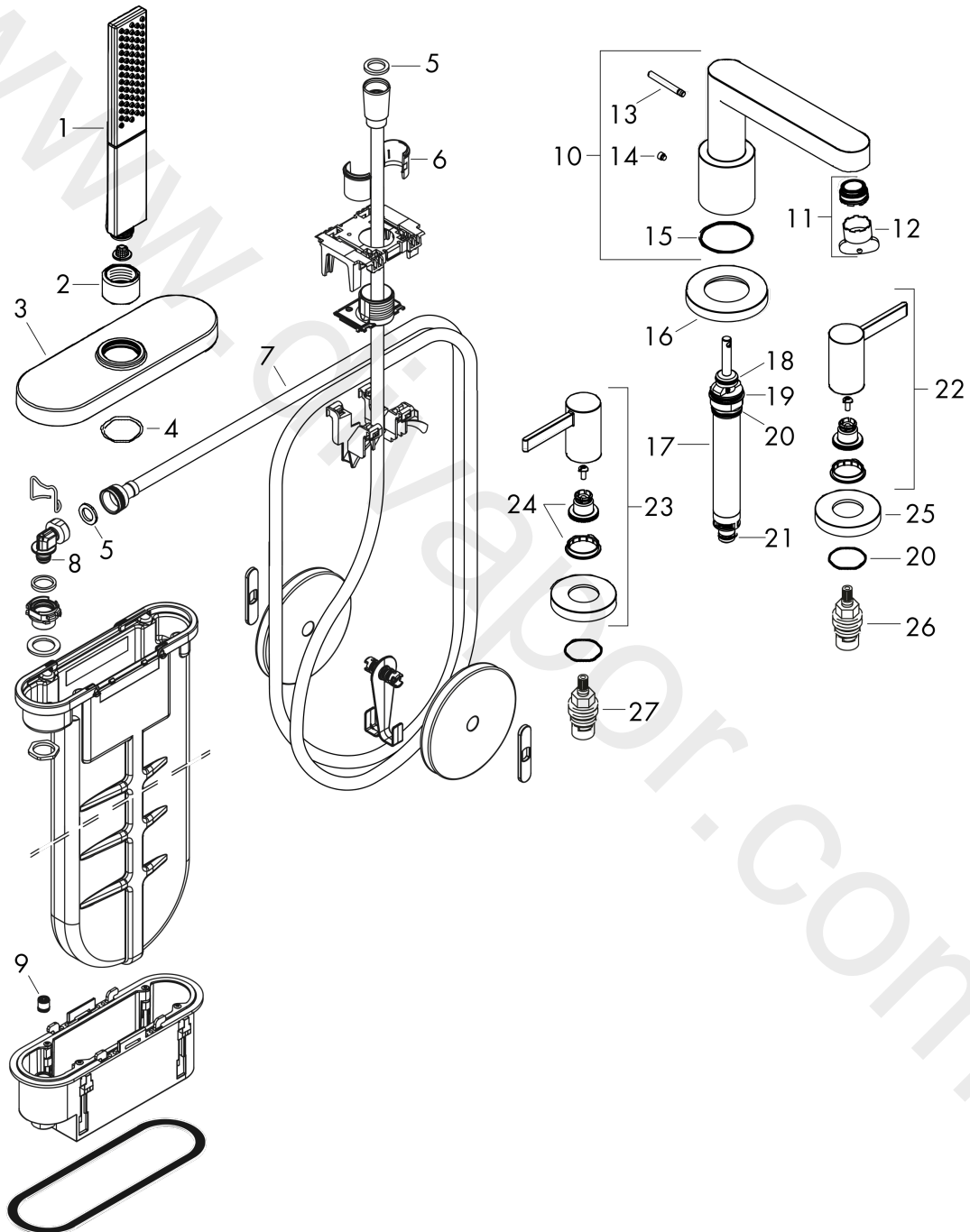
www.divapor.com

**Finoris**  
**4-hole rim mounted bath mixer with sBox**  
 Finish: **Chrome** Article Number: **76444000**



Exploded Drawing

Year of production: >06/21



**Finoris****4-hole rim mounted bath mixer with sBox**Finish: **Chrome** Article Number: **76444000****Spare part list**

Year of production: &gt;06/21

Pos.	Description	Article Number	Price	PU
1	handshower	26866000	£ 113,00	1
2	nut	97584000	£ 16,10	1
3	escutcheon	93505000	£ 137,00	1
4	O-Ring 32x2	98193000	£ 3,30	1
5	seal	98058000	£ 3,30	1
6	insert for shower holder	96942000	£ 13,30	1
7	shower hose	93506000	£ 137,00	1
8	O-ring 9x2	98119000	£ 3,30	1
9	non return valve DW 10	96456000	£ 9,00	1
10	spout cpl.	93977000	£ 137,00	1
11	aerator M24x1 (30 l/min)	98998000	£ 35,00	1
12	special tool	95158000	£ 6,10	1
13	diverter knob	98707000	£ 25,00	1
14	hollow set screw M6x6	97660000	£ 3,30	1
15	O-ring 41x1,5	98168000	£ 3,30	1
16	escutcheon for spout	93978000	£ 137,00	1
17	selector assy	96775000	£ 79,00	1
18	O-Ring 14x2,5	98189000	£ 3,30	1
19	O-Ring 23x2,5	98183000	£ 3,30	1
20	O-Ring 22x2	98185000	£ 3,30	1
21	O-ring 9x2,5	98217000	£ 3,30	1
22	handle for cold water	93980000	£ 51,00	1
23	handle for hot water	93979000	£ 51,00	1
24	handle fixing set	94184000	£ 6,10	1
25	escutcheon for handle	93976000	£ 96,00	1
26	shut off unit left closing	94008000	£ 43,00	1
27	shut off unit right closing	94009000	£ 43,00	1
a	concealed item	13440180	£ 580,00	1