

Finoris
Single lever bath mixer for exposed installation
 Finish: **Matt Black** Article Number: **76420677**



Description

product features

- 2 functions
- projection: 194 mm
- centre distance: 150 ± 12 mm
- spray type mixer: normal spray
- maximum flow rate at 3 bar: 21,9 l/min
- ceramic cartridge
- pressure diverter Select with automatic resetting
- protected against backflow, according to DIN EN 1717
- with silencer
- suitable for continuous flow water heaters
- connection dimension: DN15
- connection type: s-shaped connections
- wall-mounted
- min. operating pressure: 1 bar
- max. operating pressure: 10 bar

Technology



Design awards



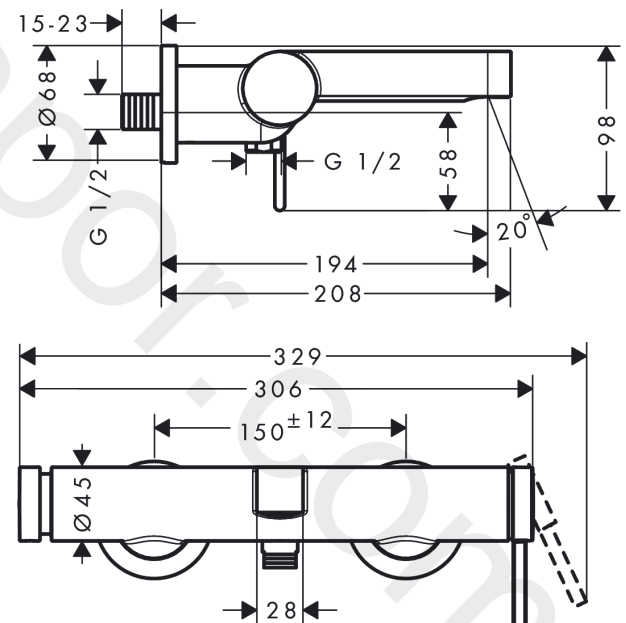
reddot winner 2021



Product image



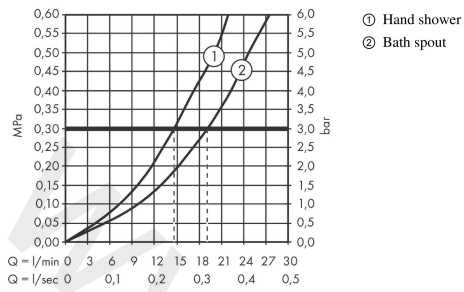
Scale drawing



Finoris
Single lever bath mixer for exposed installation
 Finish: **Matt Black** Article Number: **76420677**



Flowchart

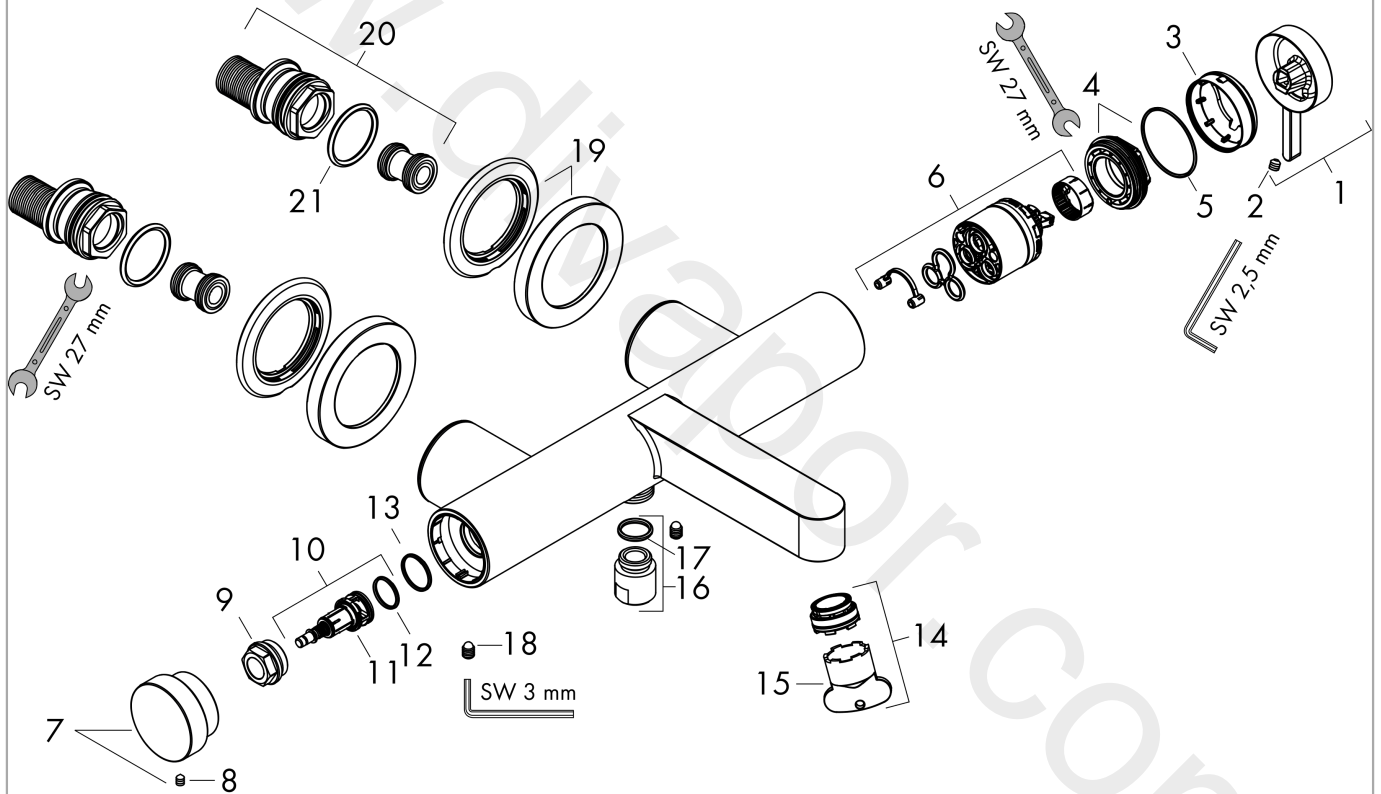


Finoris
Single lever bath mixer for exposed installation
 Finish: **Matt Black** Article Number: **76420677**



Exploded Drawing

Year of production: >07/21



Finoris**Single lever bath mixer for exposed installation**Finish: **Matt Black** Article Number: **76420677****Spare part list**

Year of production: >07/21

Pos.	Description	Article Number	Price	PU
1	handle	94371670	£ 76,00	1
2	hollow set screw M5x5	98446000	£ 3,30	1
3	flange	94370670	£ 64,00	1
4	nut	93995000	£ 25,00	1
5	O-ring 35x1,5	92114000	£ 6,10	1
6	cartridge, assy	93895000	£ 79,00	1
7	pushbutton	94369670	£ 142,00	1
8	hollow set screw M4x6	97767000	£ 3,30	1
9	nut	94367000	£ 43,00	1
10	selector assy	94368000	£ 96,00	1
11	O-ring 12x1,5	98430000	£ 3,30	1
12	O-ring 15x1,5	92118000	£ 3,30	1
13	O-ring 17x1,5	98137000	£ 3,30	1
14	aerator M24x1 (30 l/min)	98998000	£ 35,00	1
15	special tool	95290000	£ 9,00	1
16	connecting thread	95392000	£ 20,50	1
17	O-ring 14x2	98129000	£ 3,30	1
18	screw	94366000	£ 13,30	1
19	escutcheon Ø 70 mm	94365670	£ 76,00	1
20	set of S-unions	95772000	£ 96,00	1
21	O-ring 29x3	98371000	£ 6,10	1